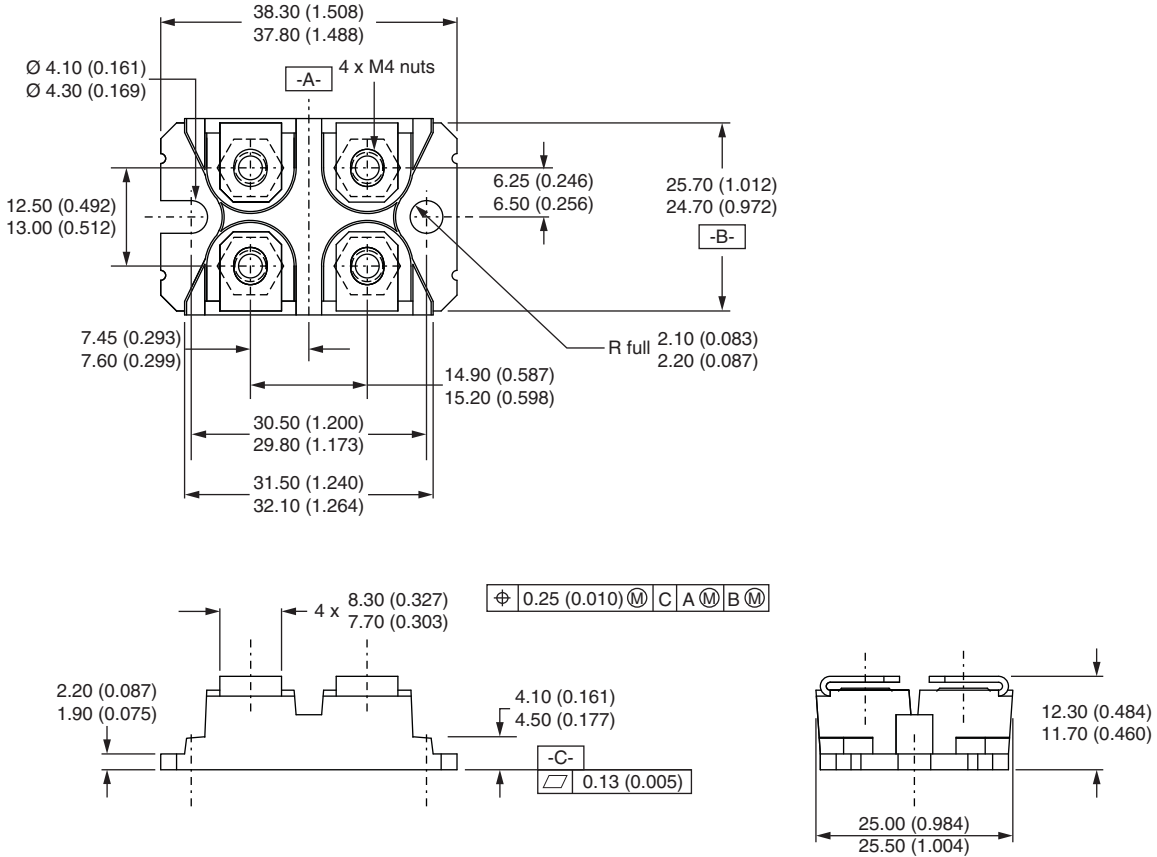




### SOT-227 Generation II

**DIMENSIONS** in millimeters (inches)



**Note**

- Controlling dimension: millimeter