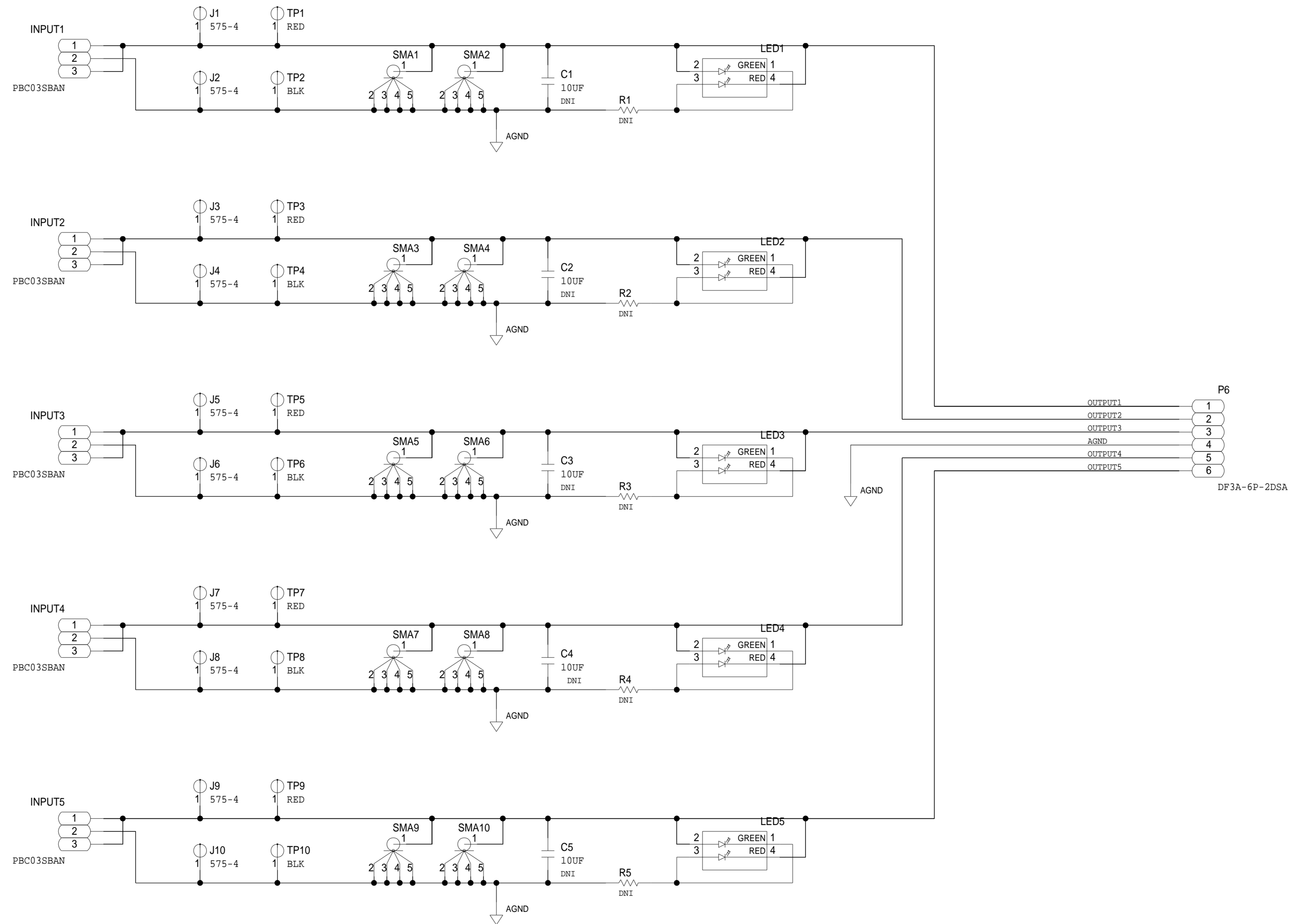


REVISIONS			
REV	DESCRIPTION	DATE	APPROVED

INTEGRATION BOARD

5 X 1



	SCHEMATIC		
	HW TYPE : SCP EVAL-Z Product(s) : 5X1 OUTPUT BOARD : NA		
	DESIGN VIEW <DESIGN_VIEW>	DRAWING NO. 02_051790	REV B
	PTD ENGINEER J VIERNES	SIZE D	SCALE 1:1
		SHEET 2 OF 2	