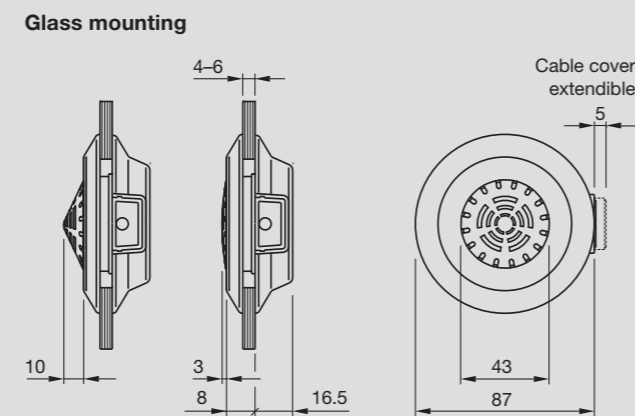
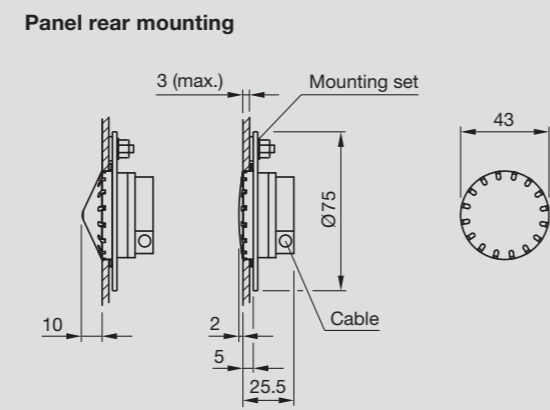
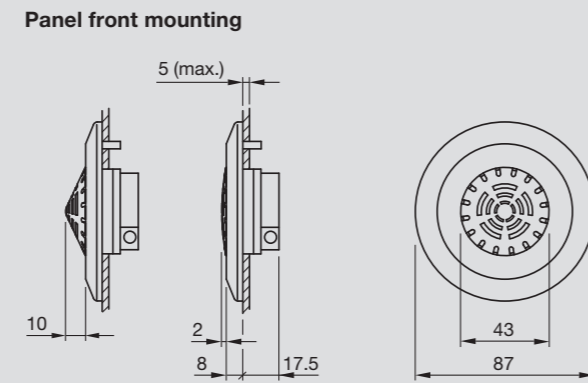


Series 56 MTSM | Product Overview

Series 56 MTSM | Product Overview



3D product drawings are available in a range of formats to download from our website www.eao.com

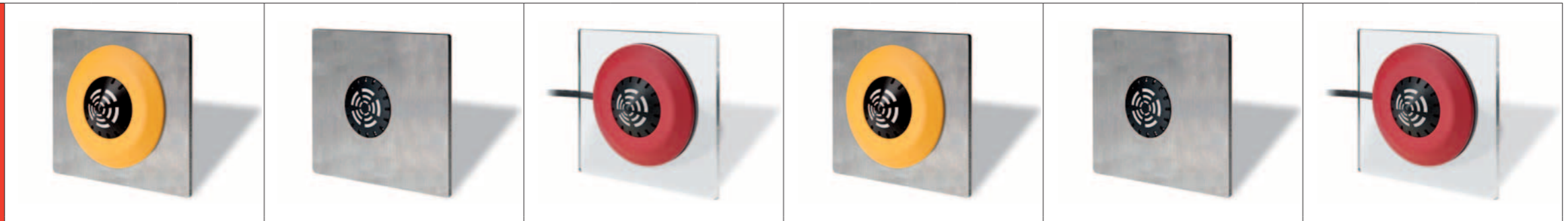


Multi-Tone Sound Module

5 Tone Sequences

3 Tone Sequences

Series 56
Multi-Tone Sound Module
Product Overview



| Front Panel Mounting 5 Tone Sequences | Rear Panel Mounting 5 Tone Sequences | Glass Mounting 5 Tone Sequences | Front Panel Mounting 3 Tone Sequences | Rear Panel Mounting 3 Tone Sequences | Glass Mounting 3 Tone Sequences |
|--|---|------------------------------------|--|---|------------------------------------|
|--|---|------------------------------------|--|---|------------------------------------|

| Mechanical Characteristics | | Front Panel Mounting 5 Tone Sequences | | | Rear Panel Mounting 5 Tone Sequences | | | Glass Mounting 5 Tone Sequences | | | Front Panel Mounting 3 Tone Sequences | | | Rear Panel Mounting 3 Tone Sequences | | | Glass Mounting 3 Tone Sequences | | |
|---|--|--|--|--|--|--|--|--|--|--|--|--|--|--|--|--|--|--|--|
| Wire cross-section | | 6 x 0,5 mm ² | | | 6 x 0,5 mm ² | | | 6 x 0,5 mm ² | | | 4 x 0,5 mm ² / 0,25 mm ² | | | 4 x 0,5 mm ² / 0,25 mm ² | | | 4 x 0,5 mm ² / 0,25 mm ² | | |
| Connection | | Without connector | | | Without connector | | | Without connector | | | Without connector | | | Without connector | | | Without connector | | |
| Fastening screws | | 3 St. M4 x 8 mm | | | 3 St. M4 x 8 mm | | | 3 pcs.M4 x 20 mm (glass >5mm) 3 pcs.M4 x 20 mm (glass >4mm) | | | 3 St. M4 x 8 mm | | | 3 St. M4 x 8 mm | | | 3 pcs.M4 x 20 mm (glass >5mm) 3 pcs.M4 x 20 mm (glass >4mm) | | |
| Torque | | 80 Ncm – 100 Ncm | | | 80 Ncm – 100 Ncm | | | 50 Ncm | | | 80 Ncm – 100 Ncm | | | 80 Ncm – 100 Ncm | | | 50 Ncm | | |
| Mounting tool | | Allen key 2,5 mm | | | Allen key 2,5 mm | | | Allen key 2,5 mm | | | Allen key 2,5 mm | | | Allen key 2,5 mm | | | Allen key 2,5 mm | | |
| Mounting diameter | | ∅ 43,1 mm | | | ∅ 43,1 mm | | | ∅ 62,5 mm | | | ∅ 43,1 mm | | | ∅ 43,1 mm | | | ∅ 62,5 mm | | |
| Material | | Halogen-free, flame-retardant Polyolefin mix | | | Halogen-free, flame-retardant Polyolefin mix | | | Halogen-free, flame-retardant Polyolefin mix | | | Halogen-free, flame-retardant Polyolefin mix | | | Halogen-free, flame-retardant Polyolefin mix | | | Halogen-free, flame-retardant Polyolefin mix | | |
| Lens | | Polycarbonate (PC), according to UL94 V0 | | | Polycarbonate (PC), according to UL94 V0 | | | Polycarbonate (PC), according to UL94 V0 | | | Polycarbonate (PC), according to UL94 V0 | | | Polycarbonate (PC), according to UL94 V0 | | | Polycarbonate (PC), according to UL94 V0 | | |
| Bezel | | Zinc matt chromed or Polybutylerephthalat (PBT) according to UL94 V0 | | | Zinc matt chromed or Polybutylerephthalat (PBT) according to UL94 V0 | | | Zinc matt chromed or Polybutylerephthalat (PBT) according to UL94 V0 | | | Zinc matt chromed or Polybutylerephthalat (PBT) according to UL94 V0 | | | Zinc matt chromed or Polybutylerephthalat (PBT) according to UL94 V0 | | | Zinc matt chromed or Polybutylerephthalat (PBT) according to UL94 V0 | | |
| Housing | | Polycarbonate (PC), according to UL94 V0 | | | Polycarbonate (PC), according to UL94 V0 | | | Polycarbonate (PC), according to UL94 V0 | | | Polycarbonate (PC), according to UL94 V0 | | | Polycarbonate (PC), according to UL94 V0 | | | Polycarbonate (PC), according to UL94 V0 | | |
| Electric and acoustic data | | 500 – 3000 Hz | | | 500 – 3000 Hz | | | 500 – 3000 Hz | | | 500 – 3000 Hz | | | 500 – 3000 Hz | | | 500 – 3000 Hz | | |
| Sound output | | 66 – 90 dB @ 10cm @ 1kHz | | | 66 – 90 dB @ 10cm @ 1kHz | | | 66 – 90 dB @ 10cm @ 1kHz | | | 66 – 90 dB @ 10cm @ 1kHz | | | 66 – 90 dB @ 10cm @ 1kHz | | | 66 – 90 dB @ 10cm @ 1kHz | | |
| Sound steps | | 5 steps, 6 dB each | | | 5 steps, 6 dB each | | | 5 steps, 6 dB each | | | 17 steps, 1,5 dB each | | | 17 steps, 1,5 dB each | | | 17 steps, 1,5 dB each | | |
| Operating voltage | | 24VDC | | | 24VDC | | | 24VDC | | | 12/24/36/48/72/96/110VDC | | | 12/24/36/48/72/96/110VDC | | | 12/24/36/48/72/96/110VDC | | |
| Operating voltage tolerance | | +/- 30% | | | +/- 30% | | | +/- 30% | | | +/- 30% | | | +/- 30% | | | +/- 30% | | |
| Current consumption | | < 50 mA | | | < 50 mA | | | < 50 mA | | | < 50 mA | | | < 50 mA | | | < 50 mA | | |
| Dielectric strength relating to front | | 4000VAC, 50 Hz | | | 4000VAC, 50 Hz | | | 4000VAC, 50 Hz | | | 4000VAC, 50 Hz | | | 4000VAC, 50 Hz | | | 4000VAC, 50 Hz | | |
| Environmental Conditions | | -40 °C...+85 °C | | | -40 °C...+85 °C | | | -40 °C...+85 °C | | | -40 °C...+85 °C | | | -40 °C...+85 °C | | | -40 °C...+85 °C | | |
| Storage temperature | | -45 °C...+90 °C | | | -45 °C...+90 °C | | | -45 °C...+90 °C | | | -45 °C...+90 °C | | | -45 °C...+90 °C | | | -45 °C...+90 °C | | |
| Degree of protection | | IP69K | | | IP69K | | | IP69K | | | IP40/IP69K | | | IP40/IP69K | | | IP40/IP69K | | |
| Climate resistance | | EN IEC 60068-2-78 | | | EN IEC 60068-2-78 | | | EN IEC 60068-2-78 | | | EN IEC 60068-2-78 | | | EN IEC 60068-2-78 | | | EN IEC 60068-2-78 | | |
| Climate consistency | | EN IEC 60068-2-30 | | | EN IEC 60068-2-30 | | | EN IEC 60068-2-30 | | | EN IEC 60068-2-30 | | | EN IEC 60068-2-30 | | | EN IEC 60068-2-30 | | |
| Shock resistance | | EN IEC 60068-2-27 | | | EN IEC 60068-2-27 | | | EN IEC 60068-2-27 | | | EN IEC 60068-2-27 | | | EN IEC 60068-2-27 | | | EN IEC 60068-2-27 | | |
| Vibration resistance | | EN IEC 60068-2-6 | | | EN IEC 60068-2-6 | | | EN IEC 60068-2-6 | | | EN IEC 60068-2-6 | | | EN IEC 60068-2-6 | | | EN IEC 60068-2-6 | | |
| Approvals | | CE/RoHS | | | CE/RoHS | | | CE/RoHS | | | RoHS/TSI PRM | | | RoHS/TSI PRM | | | RoHS/TSI PRM | | |
| Approvals | | e1/E1 | | | e1/E1 | | | e1/E1 | | | CE/E1 | | | CE/E1 | | | CE/E1 | | |
| Accessories | | 87 x 87 mm | | | ∅ 87 mm | | | Braille | | | 87 x 87 mm | | | ∅ 87 mm | | | Braille | | |
| Front rings (front mounting type) | | Blue | | | X | | | X | | | X | | | X | | | X | | |
| | | Yellow | | | X | | | X | | | X | | | X | | | X | | |
| | | Green | | | X | | | X | | | X | | | X | | | X | | |
| | | Red | | | X | | | X | | | X | | | X | | | X | | |
| | | Dark grey | | | X | | | X | | | X | | | X | | | X | | |
| | | Light grey | | | X | | | X | | | X | | | X | | | X | | |
| | | Orange | | | X | | | X | | | X | | | X | | | X | | |
| | | Black | | | X | | | X | | | X | | | X | | | X | | |
| | | Matt chromed | | | X | | | X | | | X | | | X | | | X | | |
| Options | | X | | | X | | | X | | | X | | | X | | | X | | |
| Cable length selection | | X | | | X | | | X | | | X | | | X | | | X | | |
| Connector type selection | | X | | | X | | | X | | | X | | | X | | | X | | |
| Number of wires 4 | | X | | | X | | | X | | | X | | | X | | | X | | |
| Number of wires 6 | | X | | | X | | | X | | | X | | | X | | | X | | |
| Volume adjustment at rear for on-site adjustment | | X | | | X | | | X | | | X | | | X | | | X | | |
| With volume control via cable strand | | X | | | X | | | X | | | X | | | X | | | X | | |
| Up to 5 customer specific tone sequences | | X | | | X | | | X | | | X | | | X | | | X | | |
| Up to 3 customer specific tone sequences | | X | | | X | | | X | | | X | | | X | | | X | | |
| Shape of lens flat or conical, with or without symbol | | X | | | X | | | X | | | X | | | X | | | X | | |

For detailed information please refer to the main EAO catalogue.