

© 2026 TE Connectivity. All Rights Reserved.

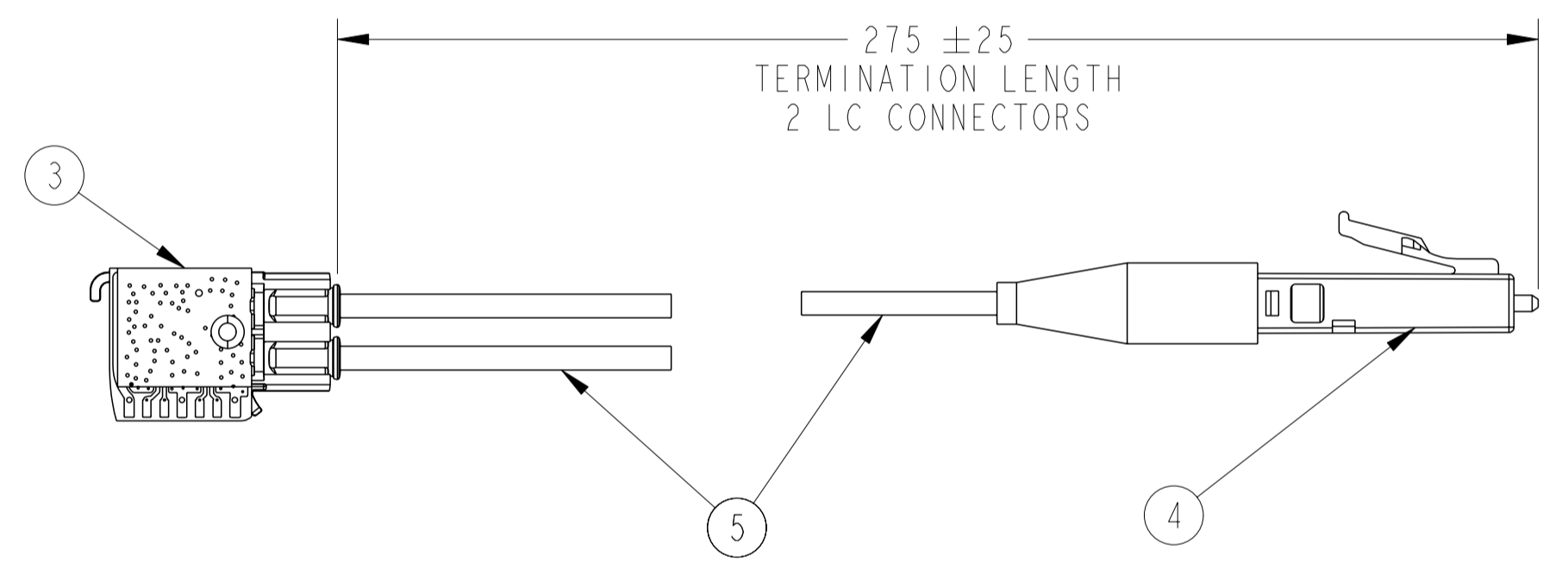
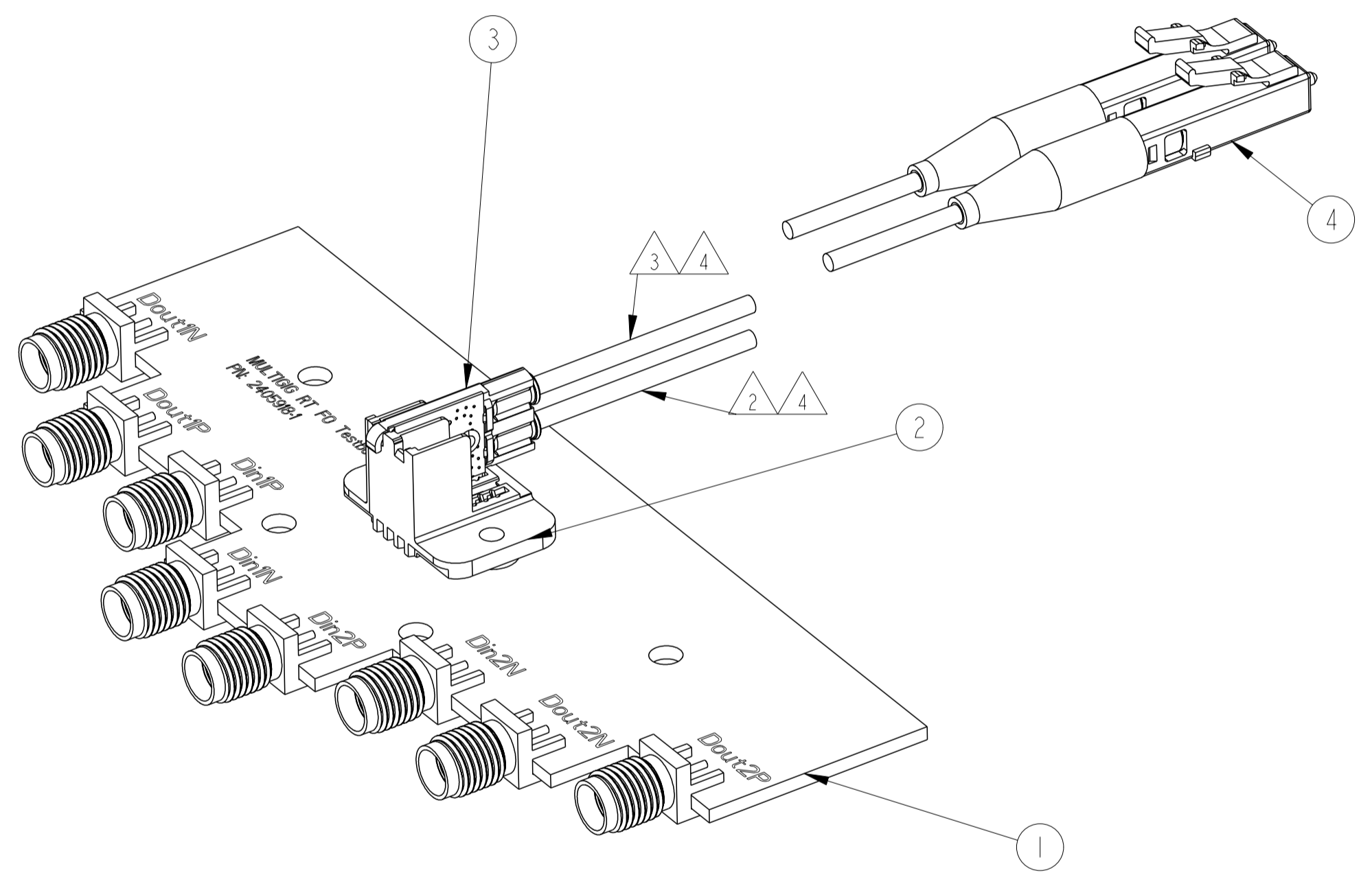
1. THIS PART IS EVALUATION BOARD WITH ONE TRANSCEIVER CHICLET AND TWO LC CONNECTORS

2. TEST Tx CABLE FOR OUTPUT POWER. OUTPUT POWER REQUIREMENT: -2 TO 2 dBm.

3. TEST Rx CABLE FOR Rx SENSITIVITY AT 10^{-12} BIT ERROR RATE. REQUIREMENT: -9 dBm MIN

4. TEST BOTH Tx AND Rx ON SAME CHICLET FOR BIT ERROR RATE IN LOOPBACK AT 10.3125 Gbps WITH PRBS-31

REVISIONS				
P	LTR	DESCRIPTION	DATE	APVD



ITEM	DESCRIPTION
1	EVAL PCB
2	RECEPTACLE HOUSING W/ PINS
3	CHICLET PCB, TxRx
4	LC CONNECTOR
5	FIBER OPTIC CABLE

CABLE TYPE				
FIBER DIRECTION	CORE DIAMETER REF (µm)	CLADDING DIAMETER REF (µm)	FIBER TYPE	CABLE OD (mm)
TX	50	125	MULTIMODE OM4	1.8
RX				

2493909-1
PART NUMBER

THIS DRAWING IS A CONTROLLED DOCUMENT.

DWN	M. ZITSCH	29 JAN 2026		TE Connectivity EVAL KIT, CBOT, 2FH 10G, 275mm LC
CHK	B. PIPER	29 JAN 2026		
APVD	B. PIPER	29 JAN 2026		
PRODUCT SPEC				
DIMENSIONS: mm			APPLICATION SPEC	
TOLERANCES UNLESS OTHERWISE SPECIFIED:			WEIGHT	
0 PLC ± 1 PLC ± 2 PLC ± 3 PLC ± 4 PLC ± ANGLES ± FINISH			CUSTOMER DRAWING	RESTRICTED TO
MATERIAL SEE BOM			SCALE 2.000	SHEET 1 OF 1
finish_spec_2			SIZE A2	REV 1