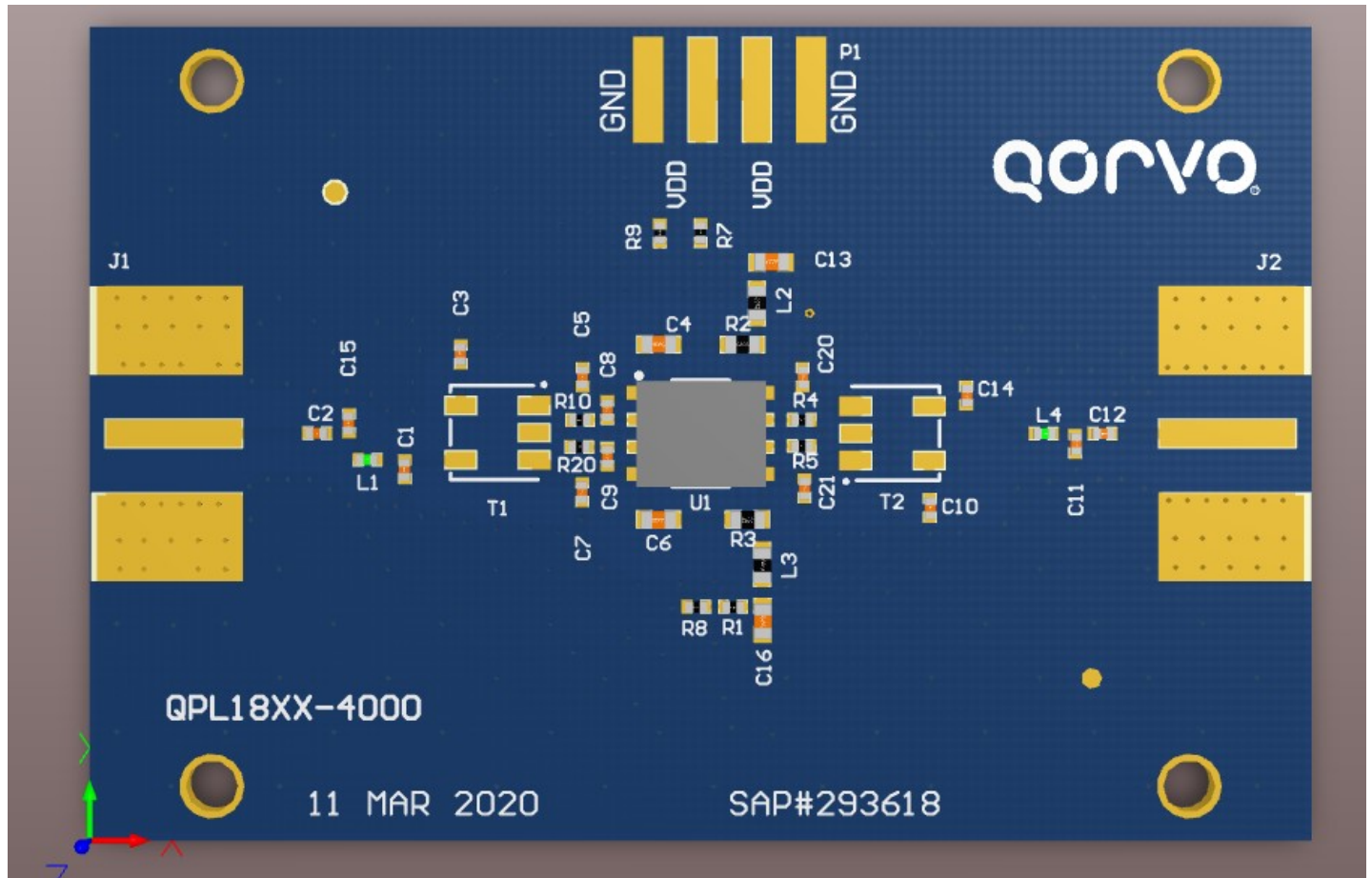
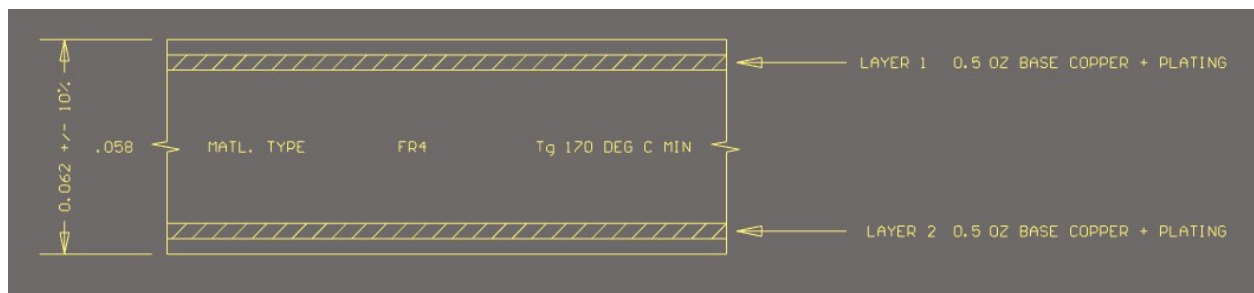


Evaluation Board Layout 50 -1800MHz



Evaluation Board PCB Material and Stack-up

2 Layer FR4 Board, 2.25inches X 1.5inches





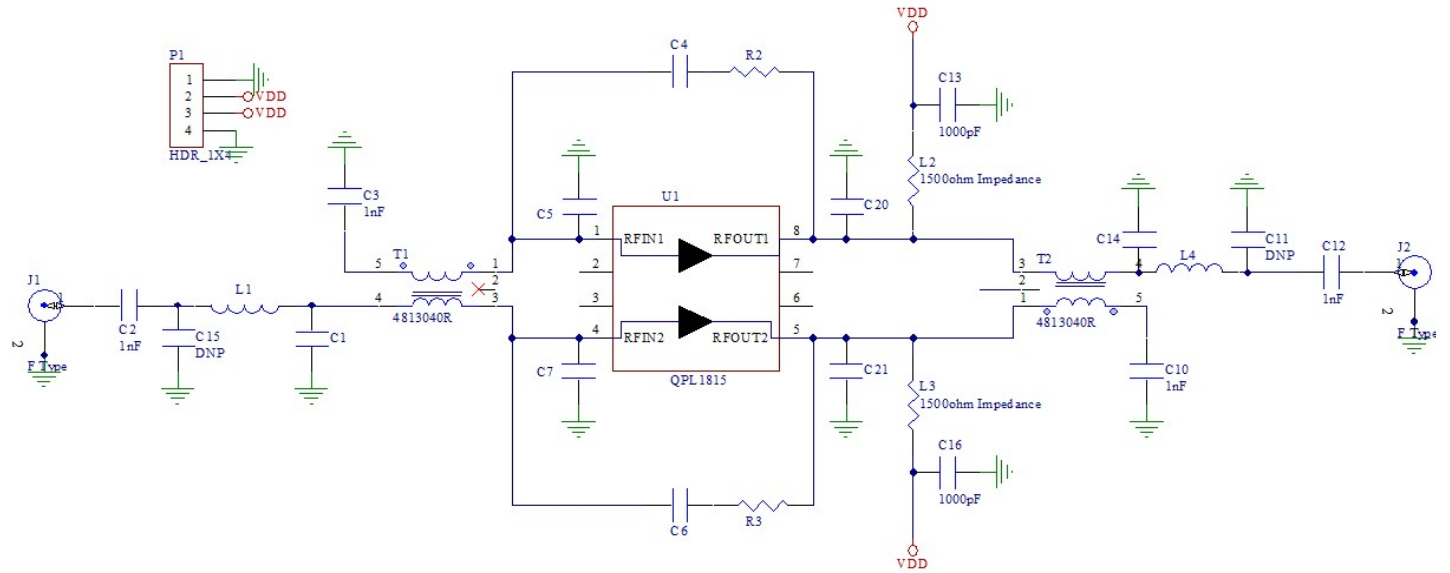
QPL1815EVB

75Ω CATV Amplifier 50 – 1800MHz

Evaluation Board Bill of Material

Ref Des	Qty	Description	Manufacturer	Manufacturer Part #
U1	1	QPL1815 50-1800MHz CATV AMP	QORVO INC	
PCB	1	PCB, QPL1815	QORVO INC	QPL1815-4000
C5, C7	2	CAP, 1pF, ±0.1pF, 50V, C0G,HIQ, 0402	MURATA ELECTRONICS SINGAPORE PTE LT	GJM1555C1H1R0BB01D
C20,C21	2	CAP, 1.2pF, +/-0.25pF, 50V, HI-Q, 0402	MURATA ELECTRONICS SINGAPORE PTE LT	GJM1555C1H1R2CB01D
C2, C3, C10, C12	4	CAP, 1000pF, 5%, 50V, C0G, 0402	MURATA ELECTRONICS SINGAPORE PTE LT	GRM1555C1H102JA01D
C4,C6	2	CAP, 100pF, 10%, 50V, STD, 0402	AVX Asia Limited	04025C101KAT2A
C13,C16	2	CAP, 1000pF, 5%, 100V, COG, 0603	Kemet	C102J1GACTU
C1,C14	2	CAP,0.5pF,+/-0.1pF,50V,HI-Q,0402	MURATA ELECTRONICS SINGAPORE PTE LT	GJM1555C1HR50BB01D
R2, R3	2	RES, 390 OHM, 5%, 1/16W, 0603	Panasonic Industrial Devices Sales	ERJ-3GEYJ391
L4	1	IND, 1.2nH, +/-0.3nH, M/L, 0402	TAIYO YUDEN (SINGAPORE) PTE LTD	LG HK10051N2S-T
L1	1	IND, 1nH, +/-0.3nH, M/L, 0402	TAIYO YUDEN (SINGAPORE) PTE LTD	LG HK 1005 1N0S-T
L2, L3	2	FER, BEAD, 1500 OHM, 500mA, 0603	MURATA ELECTRONICS SINGAPORE PTE LT	BLM18HE152SN1D
T1,T2	2	XFMR, 1:1TTL, 4.5-3000 MHz, 75 Ohm, SMD	MINNTRONIX INC	4813040R
P1	1	CONN, HDR, ST, PLRZD, 4-PIN, 0.100" AMP		640454-4
J1, J2	2	CONN, F FEM EDGE MOUNT, 75 OHMS, 0.068"	Millimeter Wave Technologies, LLC	MW-846-C-DD-75
R1,R4,R5,R7,R8,R9, R10,R20	8	NOT POPULATED ITEM-1		DUMMY PART
C8,C9,C11,C15	4	NOT POPULATED ITEM-2		DUMMY PART

Typical Application Schematic 50 -1800MHz



Evaluation Board Schematic 50 -1800MHz

