

SPX-16298

Qwiic Pressure/Humidity/Temp (PHT) Sensor

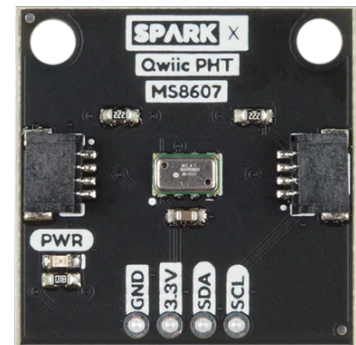
Product Overview

12-23-2021

For the most up-to-date information, visit www.mouser.com or the supplier's website.

Description

SparkFun Qwiic Pressure/Humidity/Temp (PHT) Sensor features the TE MS8607 pressure, humidity, temperature (PHT) sensor. The sensor has an accuracy of ± 2 mbar pressure, $\pm 3\%$ humidity, and $\pm 1^\circ\text{C}$ temperature. This sensor is ideal for sensing general weather conditions such as high altitude, low-pressure applications. The sensor is capable of sensing down to 10mbar unlike many other I²C pressure sensors like the BME280. The MS8607 is simple to use and gives very powerful readings with little power and conversion time.



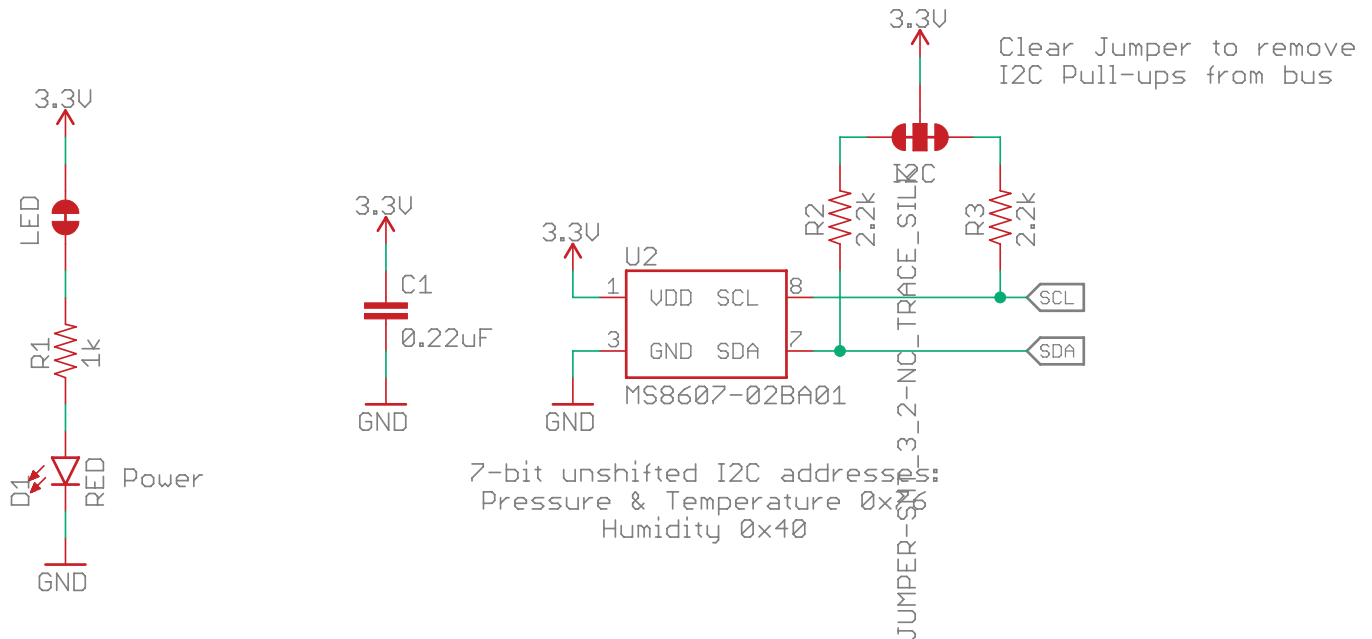
Features

- Operating Range:
 - 10mbar-2000mbar
 - 0%-100% humidity
 - -40°C to +85°C temperature range
- Accuracy (at 25°C):
 - ± 2 mbar pressure
 - $\pm 3\%$ humidity
 - $\pm 1^\circ\text{C}$
- Resolution:
 - 0.016mbar
 - 0.04% humidity
 - 0.01°C
- 0.78uA supply current (1Hz, 1024 OSR)
- 0.03uA standby current
- 4ms conversion time (PHT)

Specifications

- Integrated pressure, humidity, and temperature sensor
- QFN package 5mm3 x 3mm3 x 1mm3
- Supply voltage: 1.5V to 3.6V
- Fully factory-calibrated sensor
- I²C interface

Schematic



Mouser Part Number

[View Part](#)

To learn more, visit <https://www.mouser.com/new/sparkfun/sparkfun-qwiic-pht/>