

Commercial Grade RP-SMA Jack to RP-TNC Plug Adapter



PE910065

Configuration

- SMA Jack Reverse Polarity Connector 1
- TNC Plug Reverse Polarity Connector 2
- 50 Ohms Impedance
- Commercial Grade Design
- Straight Body Geometry

Features

- Gold Plated Brass Contact

Applications

- Allows Connection Between Series
- General Purpose Test

Description

Pasternack's PE910065 RP SMA jack to RP TNC plug adapter is part of our full line of RF components available for same-day shipping. Our reverse polarity SMA to reverse polarity TNC adapter has a jack to plug gender configuration in a commercial grade design. PE910065 reverse polarity SMA jack to reverse polarity TNC plug adapter operates to 11 GHz.

RF adapters are often used to enable connections between two connector types that would otherwise not mate. Certain adapter configurations can also be used to protect connectors on expensive equipment where the number of connect/disconnect cycles is high. An RF, microwave or millimeter wave adapter is connected to the equipment, and the commonly changed connection is made with the adapter which can be easily replaced when it wears out after high usage; such adapters are referred to as connector savers. Pasternack also offers bulkhead, panel mount, hermetically sealed, reverse polarity, and isolated ground adapter varieties to serve all of your RF, microwave and millimeter wave needs.

Electrical Specifications

Description	Minimum	Typical	Maximum	Units
Frequency Range	DC		11	GHz
Impedance		50		Ohms
Insertion Loss			0.15	dB
Operating Voltage (DC)			500	Vdc
Dielectric Withstanding Voltage (AC)			1,000	Vrms

Mechanical Specifications

Size

Length	1.15 in [29.29 mm]
Width	0.57 in [14.50 mm]
Height	0.57 in [14.50 mm]
Weight	0.01 lbs [2.27 g]

Description	Connector 1	Connector 2
Polarity	Reverse Polarity	Reverse Polarity
Mating Torque	15 in-lbs 1.70 Nm max	15 in-lbs 1.70 Nm max

Commercial Grade RP-SMA Jack to RP-TNC Plug Adapter



PE910065

Material Specifications

Description	Connector 1		Connector 2	
	Material	Plating	Material	Plating
Type	SMA Jack Reverse Polarity		TNC Plug Reverse Polarity	
Contact	Brass	Gold	Brass	Gold
Insulation	PTFE		PTFE	
Outer Conductor	Brass	Nickel		
Body	Brass	Nickel	Brass	Nickel

Environmental Specifications

Temperature

Operating Range	-55 to +85 °C
Humidity	MIL-Std. 202 Method 106 (Test Condition B)
Vibration	MIL-Std. 202 Method 204 (Test Condition B)
Altitude	MIL-Std. 202 Method 105 (Test Condition C)
Temperature Cycling	MIL-Std. 202 Method 102 (Test Condition C)
Salt Spray	MIL-Std. 202 Method 101 (Test Condition C)

Compliance Certifications (see [product page](#) for current document)

Plotted and Other Data

Commercial Grade RP-SMA Jack to RP-TNC Plug Adapter from Pasternack Enterprises has same day shipment for domestic and International orders. Our RF, microwave and millimeter wave products maintain a 99.4% availability and are part of the broadest selection in the industry.

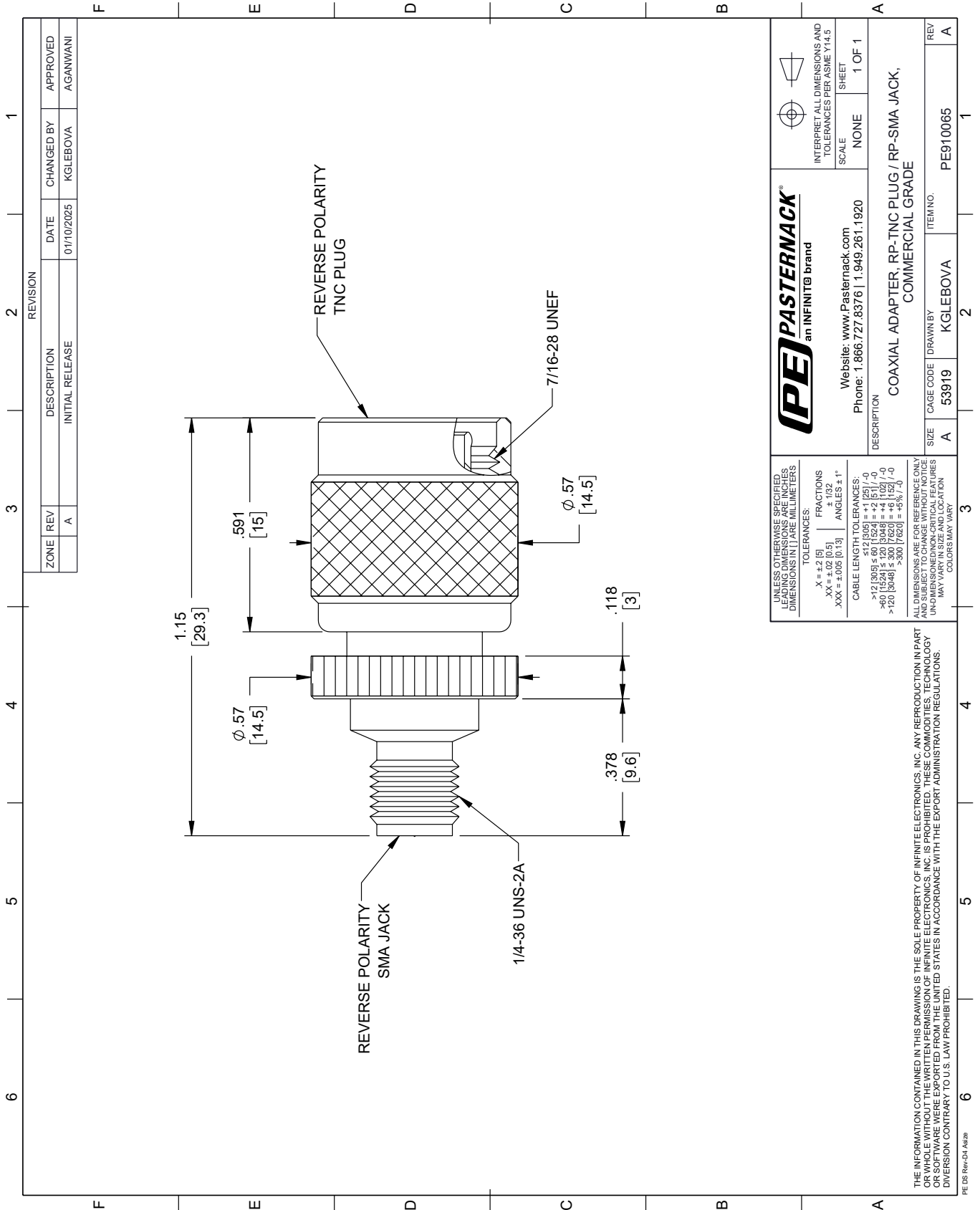
Click the following link (or enter part number in "SEARCH" on website) to obtain additional part information including price, inventory and certifications: [Commercial Grade RP-SMA Jack to RP-TNC Plug Adapter PE910065](#)

URL: <https://www.pasternack.com/commercial-grade-rp-sma-jack-to-rp-tnc-plug-adapter-pe910065.html>

The information contained within this document is accurate to the best of our knowledge and representative of the part described herein. It may be necessary to make modifications to the part and/or the documentation of the part in order to implement improvements. Pasternack Enterprises reserves the right to make such changes as required. Unless otherwise stated, all specifications are nominal. Pasternack Enterprises does not make any representation or warranty regarding the suitability of the part described herein for any particular purpose, and Pasternack Enterprises does not assume liability arising out of the use of any part or document.

PE910065 CAD Drawing

Commercial Grade RP-SMA Jack to RP-TNC Plug Adapter



REVISION		DATE	CHANGED BY	APPROVED
ZONE	REV	DESCRIPTION	INITIAL RELEASE	
	A			AGANWANI

PE PASTERNAK
an INFINITI® brand

Website: www.Pasternack.com
Phone: 1.866.727.8376 | 1.949.261.1920

INTERPRET ALL DIMENSIONS AND TOLERANCES PER ASME Y14.5
SCALE: NONE
SHEET: 1 OF 1

UNLESS OTHERWISE SPECIFIED, LEADING DIMENSIONS ARE IN INCHES AND DIMENSIONS IN [] ARE MILLIMETERS.
TOLERANCES:
.X = ±.2 [5] FRACTIONS ± 1/32
.XX = ±.02 [0.5] ANGLES ± 1°
.XXX = ±.005 [0.13]

CABLE LENGTH TOLERANCES:
≤ 12 [305] ± .60 [15.24] = ±.2 [5.1] / -0
> 12 [305] ≤ 60 [1524] = ±.4 [10.2] / -0
> 60 [1524] ≤ 120 [3048] = ±.4 [10.2] / -0
> 120 [3048] ≤ 300 [7620] = ±.6 [15.2] / -0

ALL DIMENSIONS ARE FOR REFERENCE ONLY. UNDIMENSIONED NON-CRITICAL FEATURES MAY VARY IN SIZE AND LOCATION. COLORS MAY VARY.

DESCRIPTION: COAXIAL ADAPTER, RP-TNC PLUG / RP-SMA JACK, COMMERCIAL GRADE

SIZE	CAGE CODE	DRAWN BY	ITEM NO.
A	53919	KGLEBOVA	PE910065

THE INFORMATION CONTAINED IN THIS DRAWING IS THE SOLE PROPERTY OF INFINITE ELECTRONICS, INC. ANY REPRODUCTION IN PART OR WHOLE WITHOUT THE WRITTEN PERMISSION OF INFINITE ELECTRONICS, INC. IS PROHIBITED. THESE COMMODITIES, TECHNOLOGY OR SERVICES ARE EXPORTED FROM THE UNITED STATES IN ACCORDANCE WITH THE EXPORT ADMINISTRATION REGULATIONS. DIVERSION CONTRARY TO U.S. LAW PROHIBITED.

PE DS Rev-04 Add2