

SWITCH FUNCTION CHART

REVISIONS

P	LTR	DESCRIPTION	DATE	DWN	APVD
A		INITIAL RELEASE	10DEC2025	GSK	HK

- 2532789-1
- 2532789-2
- 2532789-3
- 2532789-4
- 2532789-5
- 2532789-7
- 2532789-8

Model No. 8MS8		
	POS.1	POS.2
FUNCTION		
02	ON	(ON)
TERMINAL CONNECTED	2-1	2-3
SCHEMATIC		
None: No mechanical position Off: Mechanical position with no electrical connection (ON): Momentary action		

- 2532789-6
- 2532789-9

Model No. 8MS8		
	POS.1	POS.2
FUNCTION		
02	ON	MOM
TERMINAL CONNECTED	2-1	2-3
SCHEMATIC		
None: No mechanical position Off: Mechanical position with no electrical connection (ON): Momentary action		

- 1-2532789-0
- 1-2532789-1
- 1-2532789-2
- 1-2532789-4
- 1-2532789-5
- 1-2532789-6
- 1-2532789-7

Model No. 8MS9		
	POS.1	POS.2
FUNCTION		
01	OFF	(ON)
TERMINAL CONNECTED	OPEN	1-3
SCHEMATIC		
None: No mechanical position Off: Mechanical position with no electrical connection (ON): Momentary action		

- 1-2532789-3

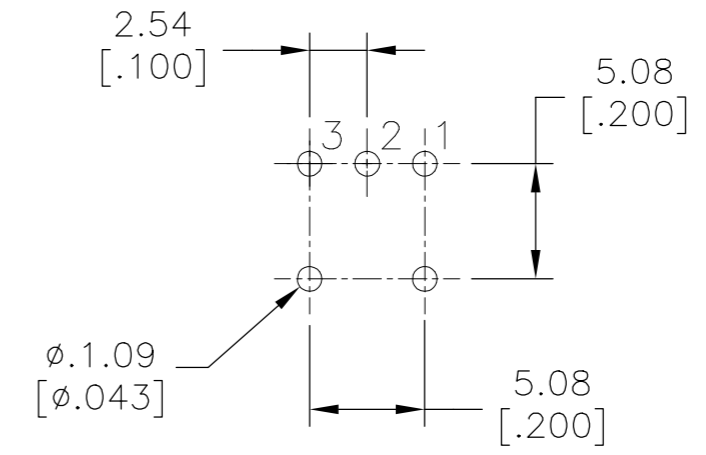
Model No. 8MS9		
	POS.1	POS.2
FUNCTION		
01	OFF	MOM
TERMINAL CONNECTED	OPEN	1-3
SCHEMATIC		
None: No mechanical position Off: Mechanical position with no electrical connection (ON): Momentary action		

THIS DRAWING IS A CONTROLLED DOCUMENT.		DWN SATHISH KUMAR G 10DEC2025	TE Connectivity Ltd.	
DIMENSIONS: mm [INCHES]		CHK HEMLATA KAMBLE 10DEC2025		
TOLERANCES UNLESS OTHERWISE SPECIFIED:		APVD HEMLATA KAMBLE 10DEC2025	NAME SUB-MINIATURE PUSHBUTTON SWITCHES	
0 PLC ± - 1 PLC ± 0.40mm 2 PLC ± 0.25mm 3 PLC ± - 4 PLC ± - ANGLES ± -		PRODUCT SPEC -	APPLICATION SPEC -	
MATERIAL -		FINISH -	WEIGHT -	SCALE A2
		CAGE CODE 00779		DRAWING NO C=2532789
		CUSTOMER DRAWING		RESTRICTED TO -
		SCALE NTS		SHEET 1 OF 11
				REV A

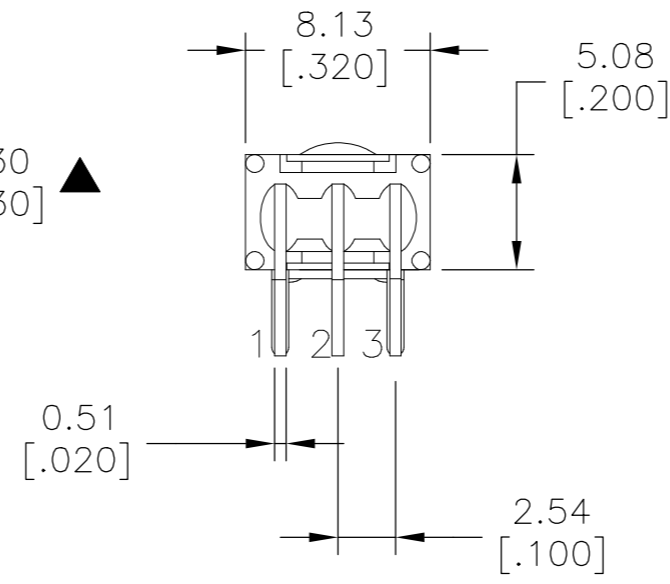
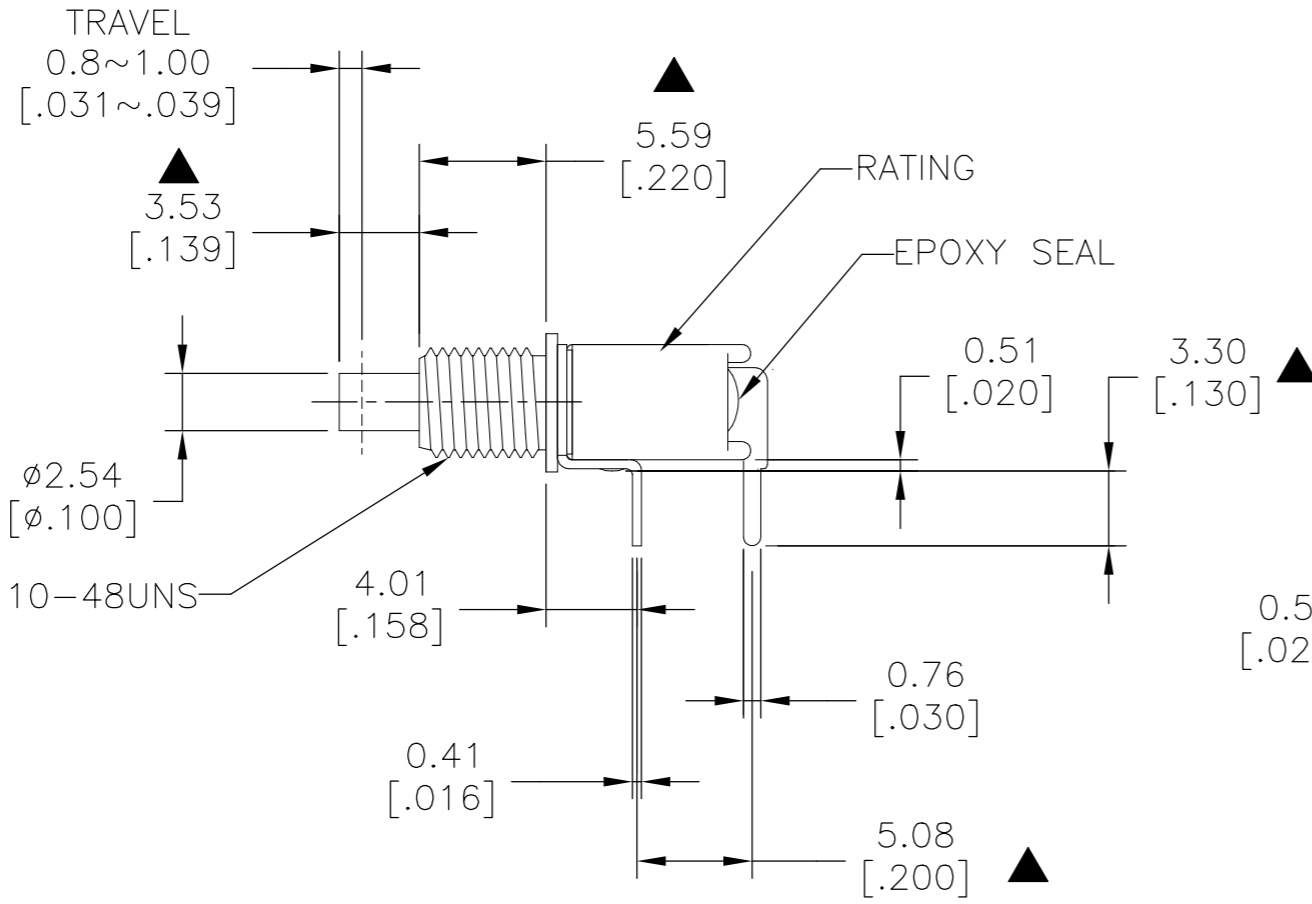
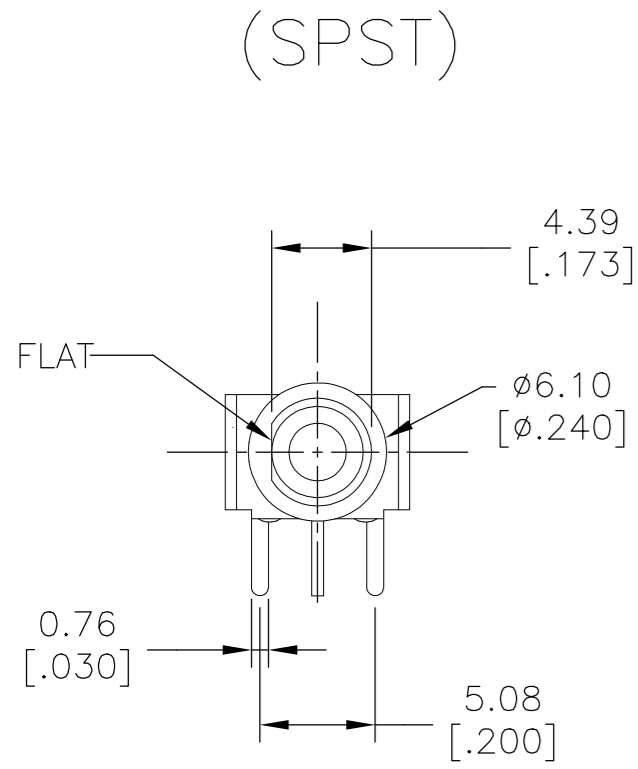
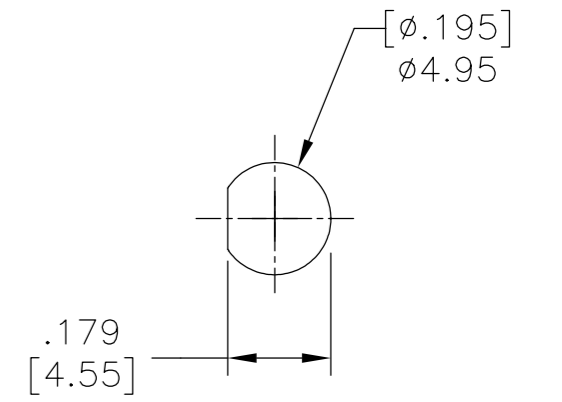
P	LTR	DESCRIPTION	DATE	DWN	APVD
-	-	SEE SHEET 1	-	-	-

TE PN
2532789-3
2532789-4

P.C. MOUNTING

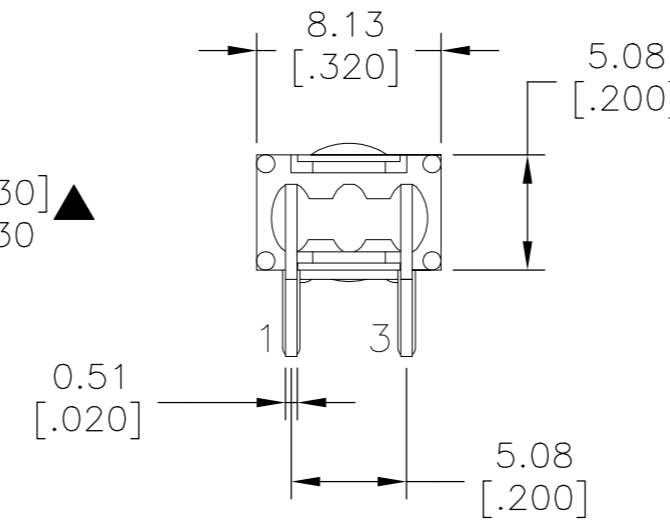
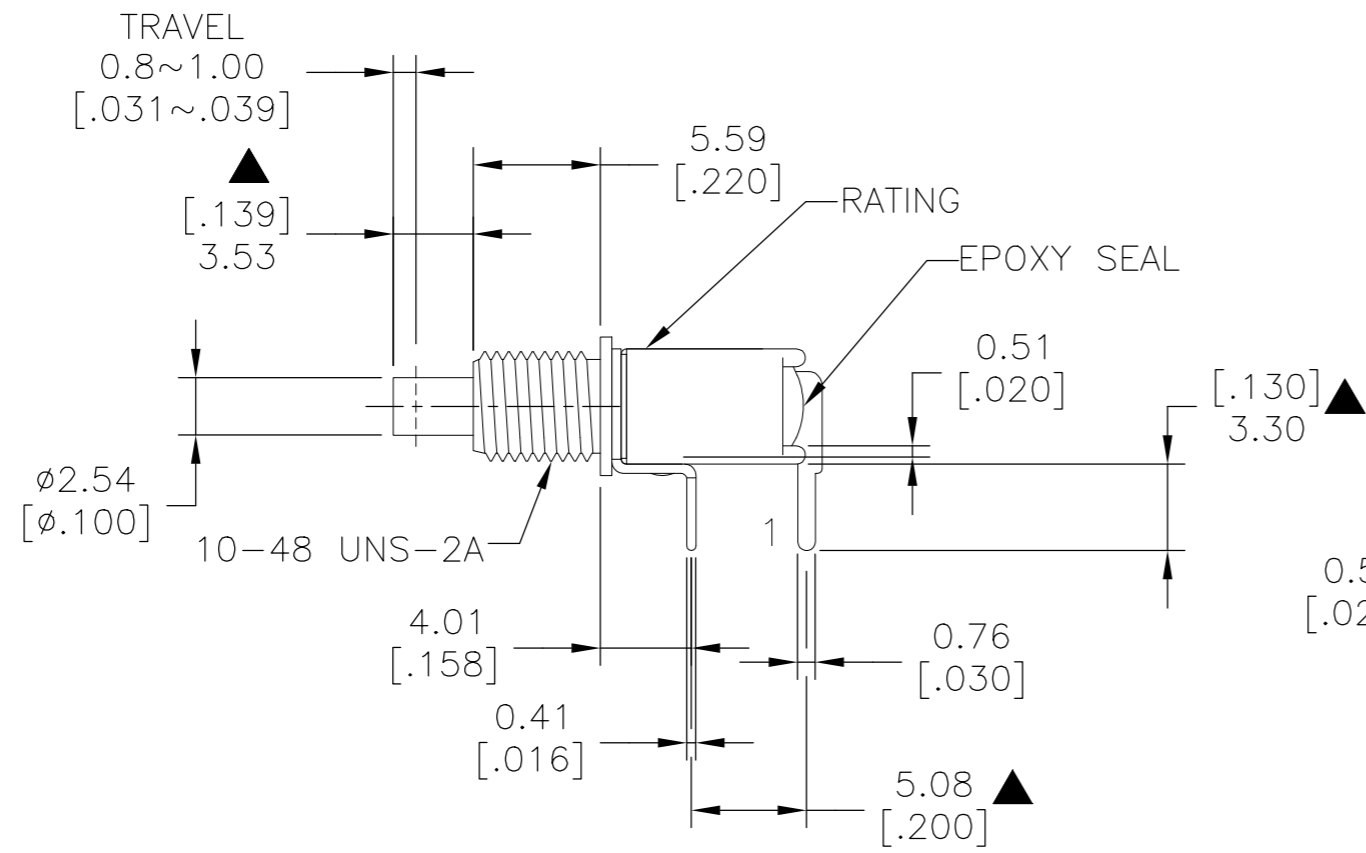
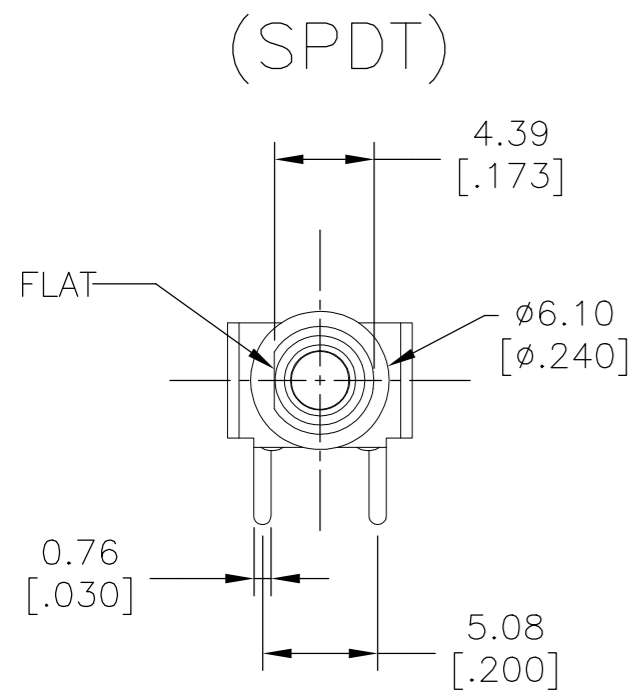
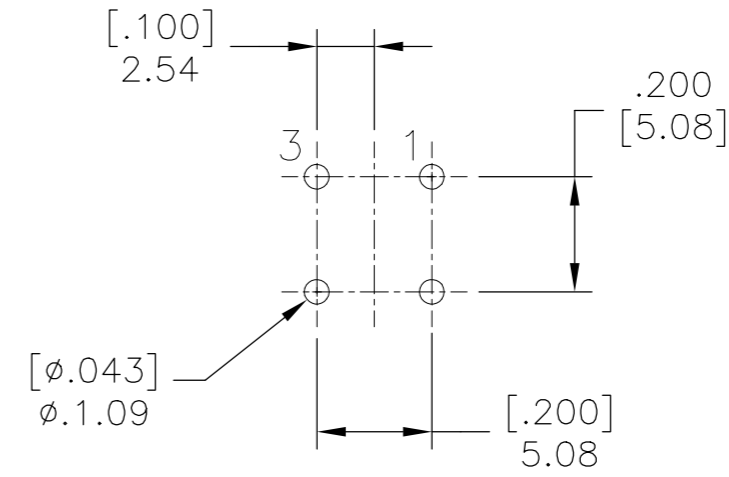


PANEL MOUNTING



TE PN
1-2532789-1

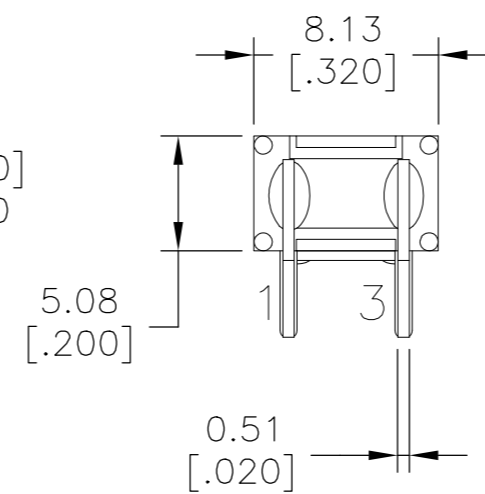
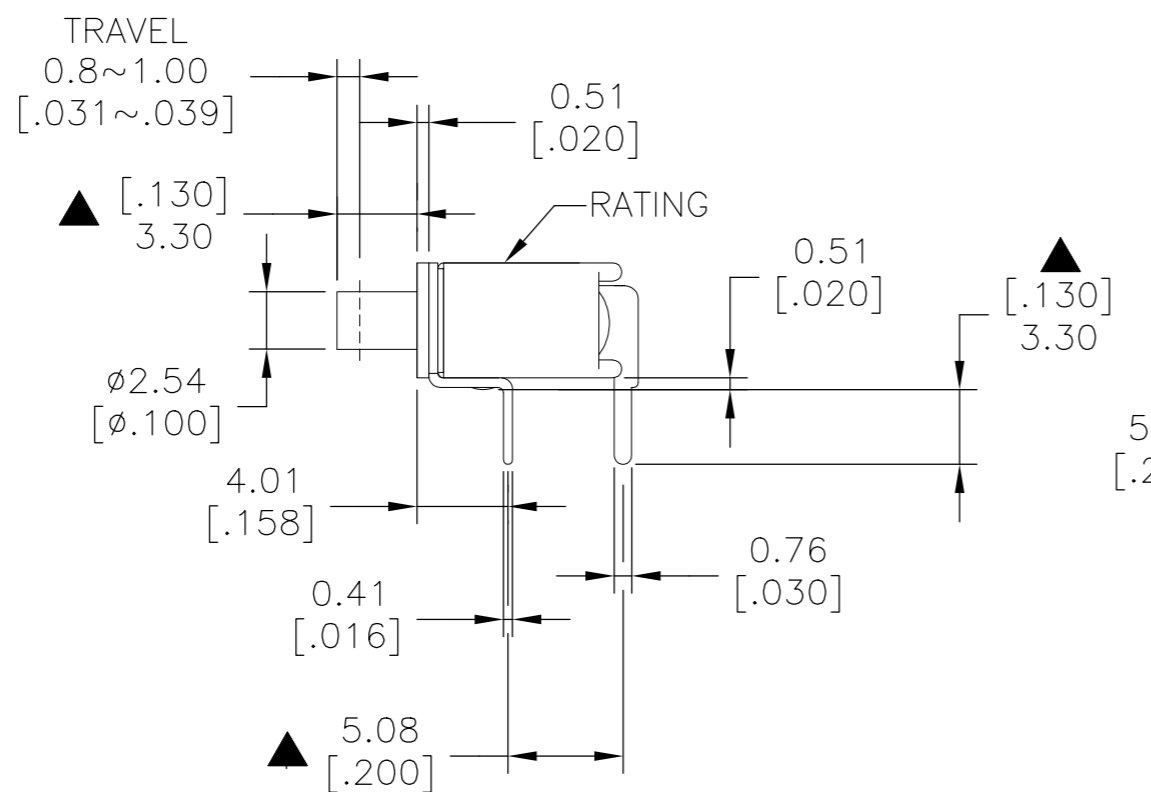
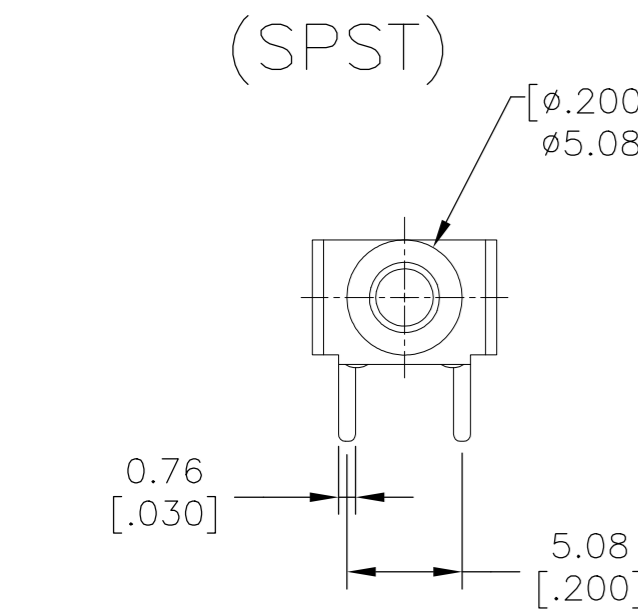
P.C. MOUNTING



TE PN
1-2532789-6

NOTE:

- FOR PUSH BUTTON LENGTH & BUSH THREADING LENGTH SEE DETAILS SHEET 9 AND11
- FOR SOLDER LUG, PANEL CUT-OUTS AND PC MOUNTING DETAILS SEE NEXT TO DWGS ZONE A-1 to A-2
- ▲ INDICATES CRITICAL DIMENSION



THIS DRAWING IS A CONTROLLED DOCUMENT.		DWN	10DEC2025	SATHISH KUMAR_G		TE Connectivity Ltd.	
DIMENSIONS: mm [INCHES]		CHK	10DEC2025	HEMLATA KAMBLE			
TOLERANCES UNLESS OTHERWISE SPECIFIED:		APVD	10DEC2025	HEMLATA KAMBLE		NAME	
0 PLC ± -		PRODUCT SPEC		SUB-MINIATURE PUSHBUTTON SWITCHES		RESTRICTED TO	
1 PLC ± 0.40mm		APPLICATION SPEC		-		SIZE	
2 PLC ± 0.25mm		WEIGHT		A2		CAGE CODE	
3 PLC ± -		CUSTOMER DRAWING		00779		DRAWING NO	
4 PLC ± -		SCALE		NTS		SHEET	
ANGLES ± -		SHEET		2 of 11		REV	
FINISH		REV		A		-	

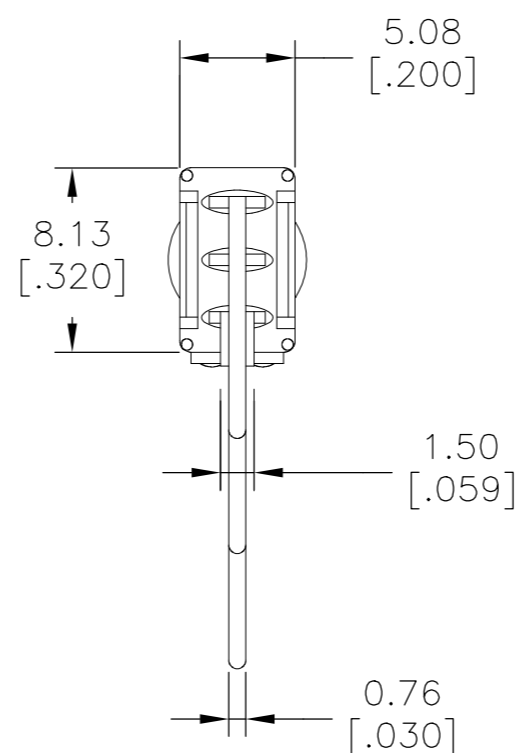
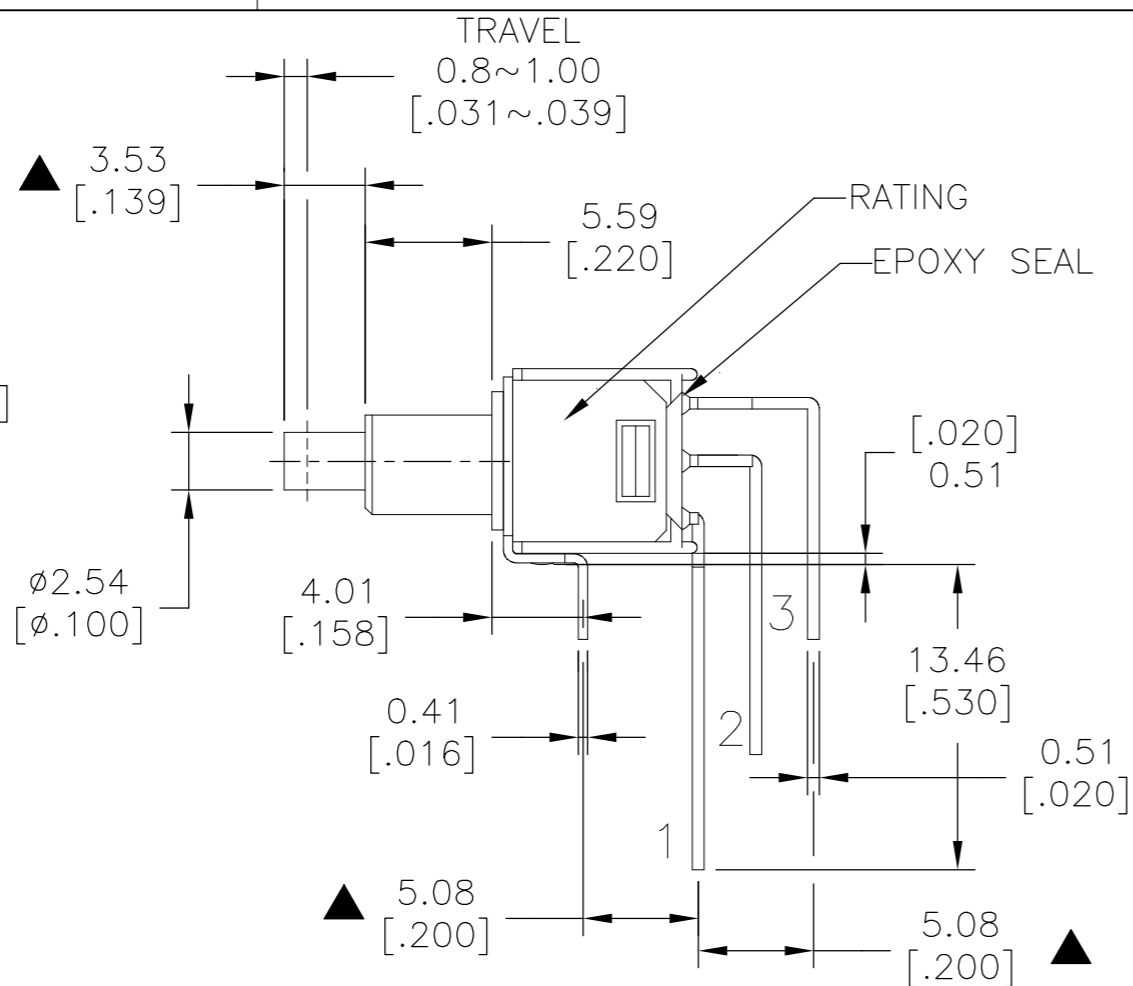
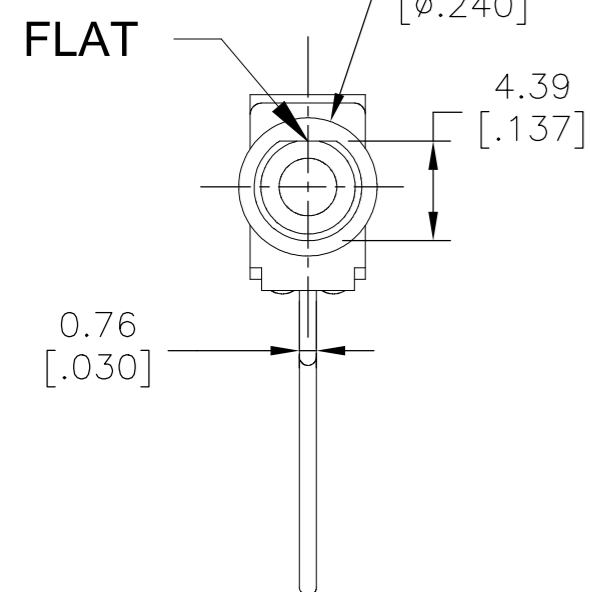
REVISIONS				
P	LTR	DESCRIPTION	DATE	APVD
-	-	SEE SHEET 1	-	-

TE PN
2532789-6

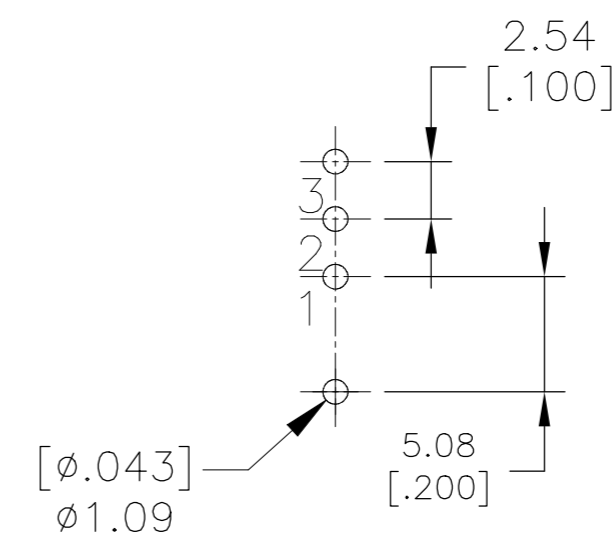
NOTE:

1. FOR PUSH BUTTON LENGTH & BUSH THREADING LENGTH SEE DETAILS SHEET 9 AND 11
2. FOR SOLDER LUG, PANEL CUT-OUTS AND PC MOUNTING DETAILS SEE NEXT TO DWGS ZONE A-1 to A-2
3. ▲ INDICATES CRITICAL DIMENSION

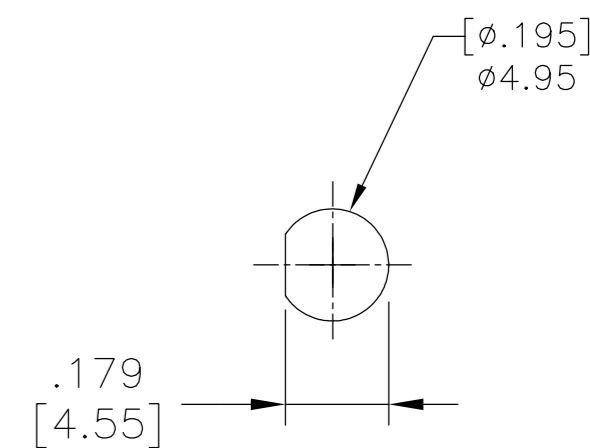
(SPST)



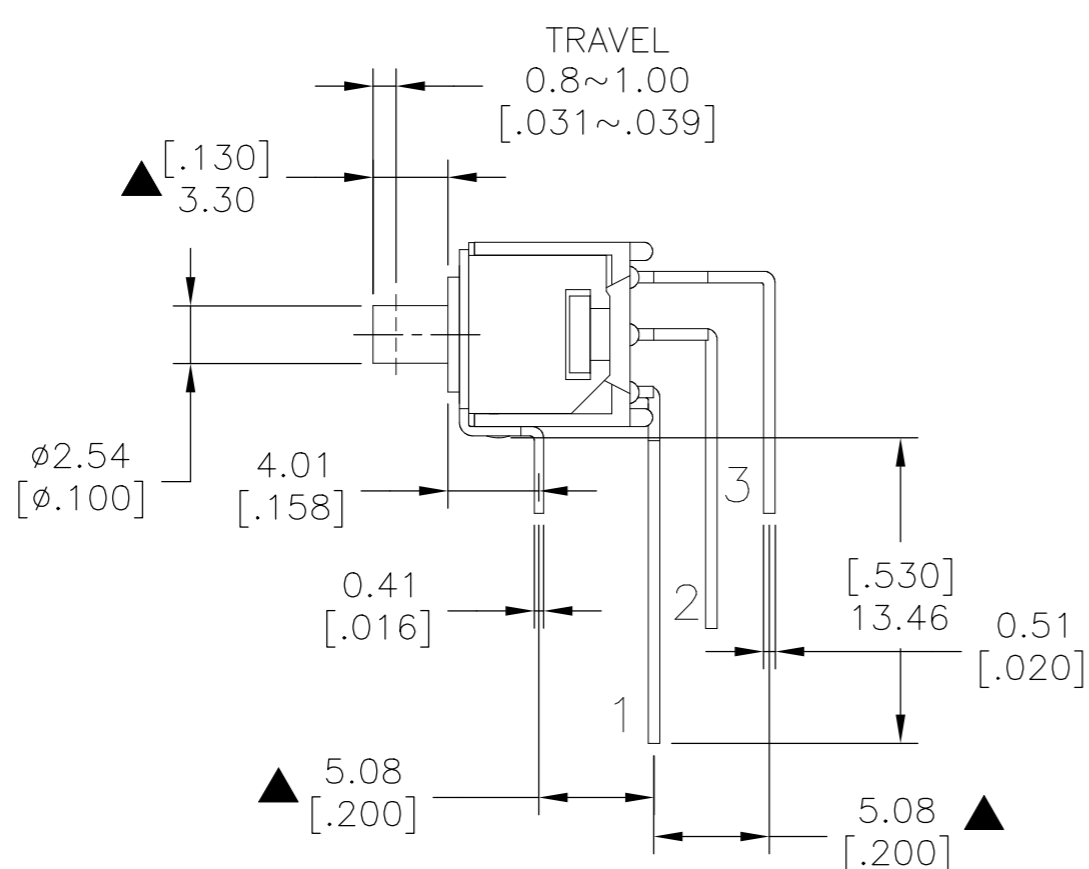
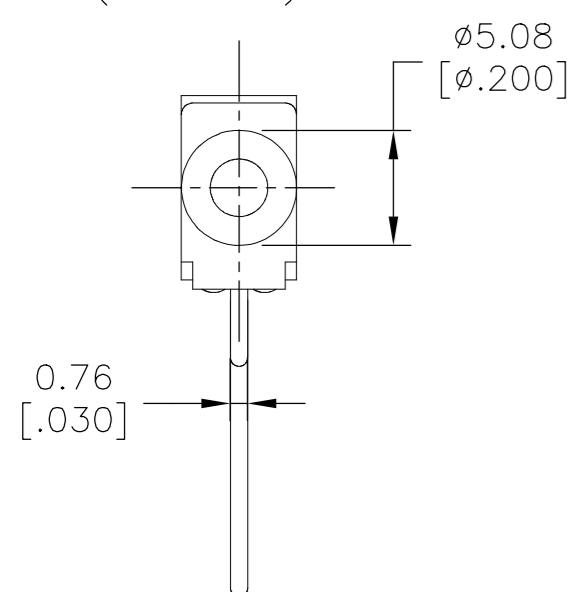
P.C. MOUNTING



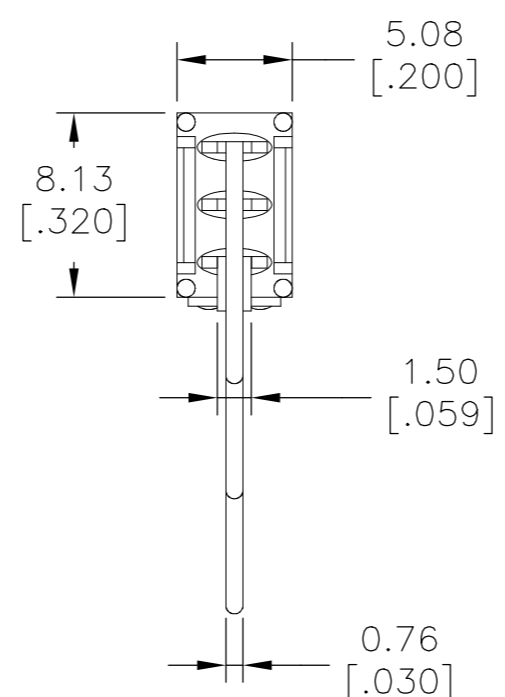
PANEL MOUNTING



(SPST)

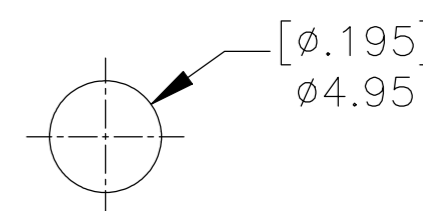
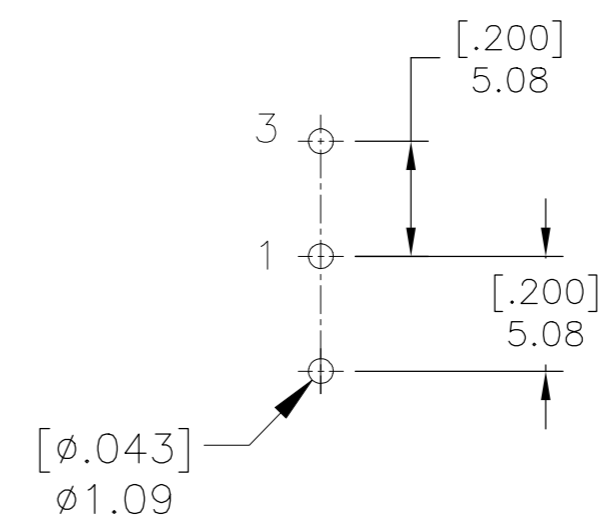
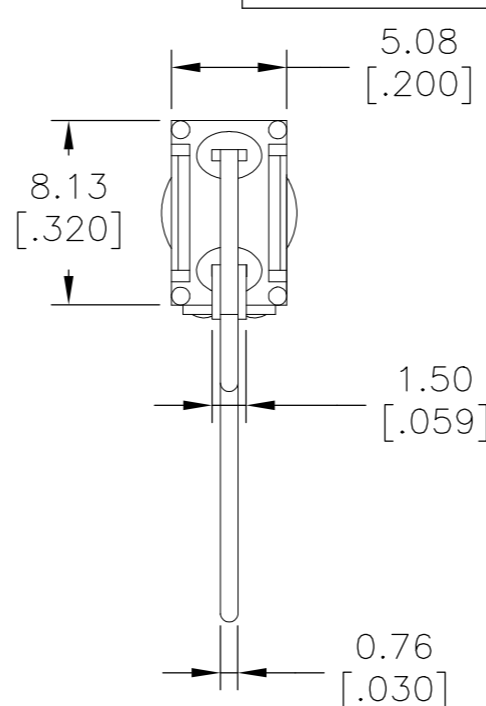
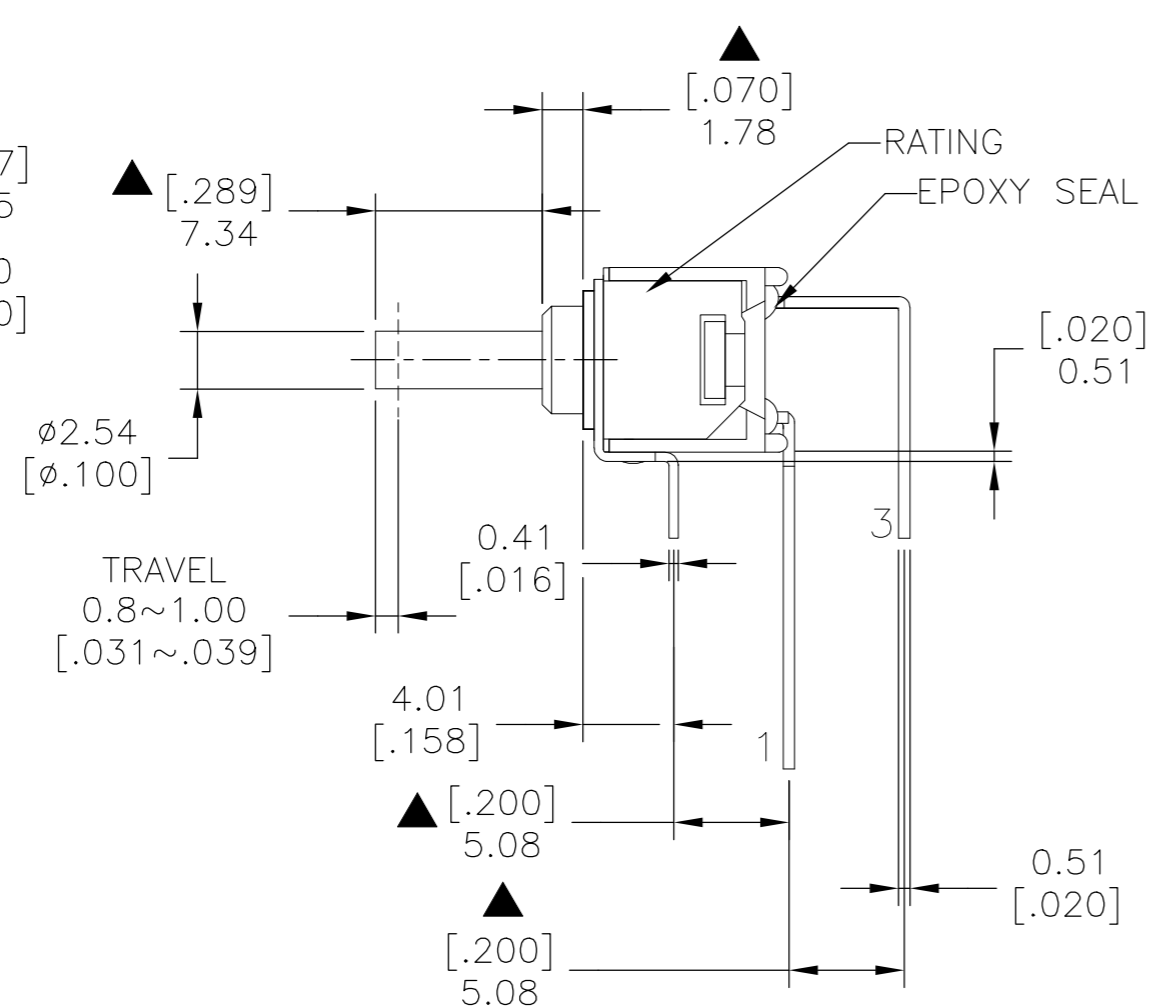
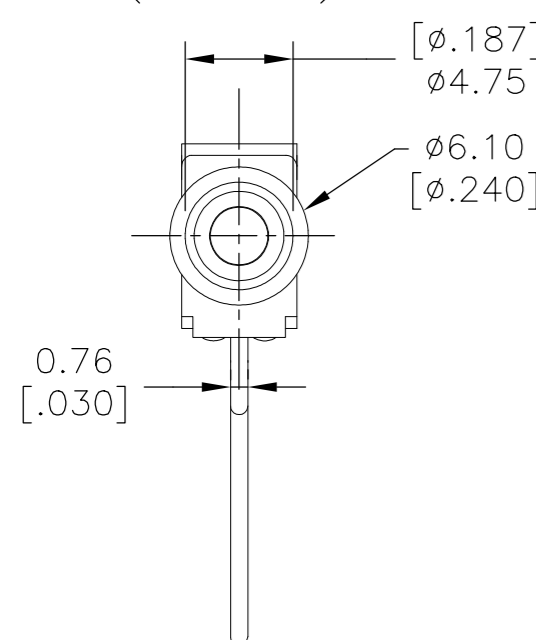


TE PN
2532789-9



TE PN
1-2532789-7

(SPDT)

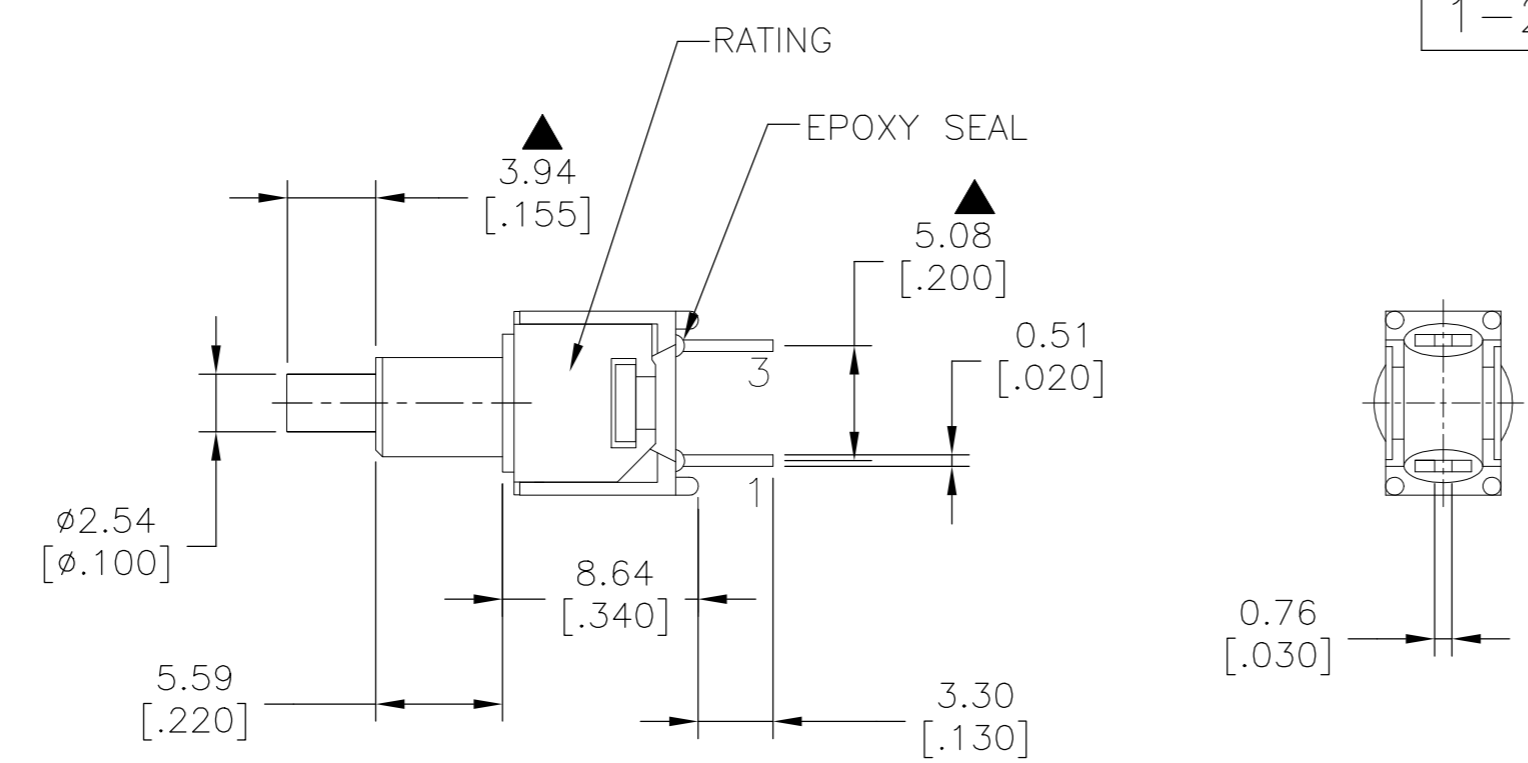
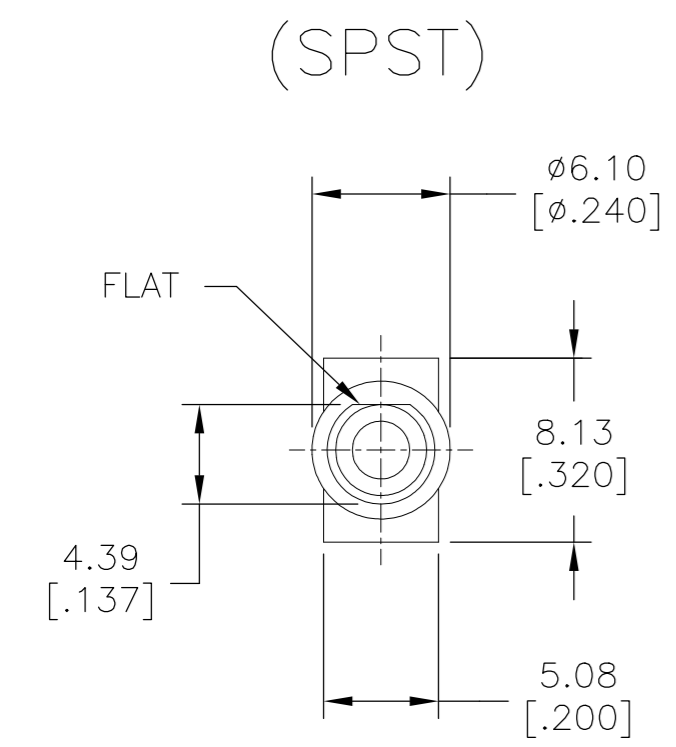


THIS DRAWING IS A CONTROLLED DOCUMENT.		DWN SATHISH KUMAR G 10DEC2025	TE Connectivity Ltd.	
DIMENSIONS: mm [INCHES]		CHK HEMLATA KAMBLE 10DEC2025		
TOLERANCES UNLESS OTHERWISE SPECIFIED:		APVD HEMLATA KAMBLE 10DEC2025	NAME SUB-MINIATURE PUSHBUTTON SWITCHES	
0 PLC ± - 1 PLC ± 0.40mm 2 PLC ± 0.25mm 3 PLC ± - 4 PLC ± - ANGLES ± -		PRODUCT SPEC -	SIZE A2	
MATERIAL -		APPLICATION SPEC -	CAGE CODE 00779	DRAWING NO C=2532789
FINISH -		WEIGHT -	RESTRICTED TO -	SCALE NTS
CUSTOMER DRAWING			SHEET 3 of 11	REV A

TE PN
1-2532789-3

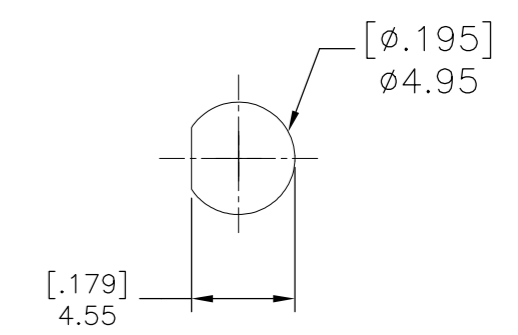
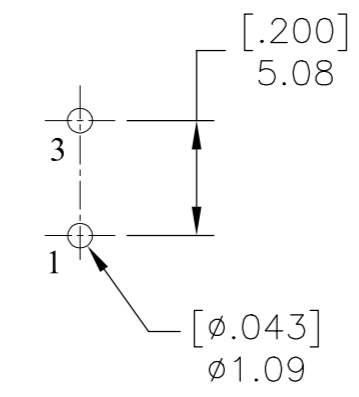
REVISIONS				
P	LTR	DESCRIPTION	DATE	APVD
-	-	SEE SHEET 1	-	-

- NOTE:
- FOR PUSH BUTTON LENGTH & BUSH THREADING LENGTH SEE DETAILS SHEET 9 AND 11
 - FOR SOLDER LUG, PANEL CUT-OUTS AND PC MOUNTING DETAILS SEE NEXT TO DWGS ZONE A-1 to A-2
 - ▲ INDICATES CRITICAL DIMENSION

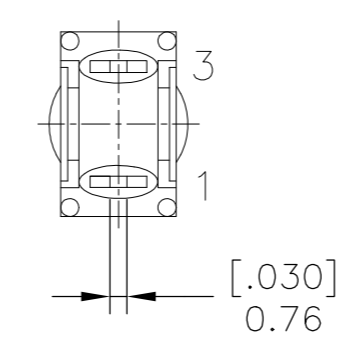
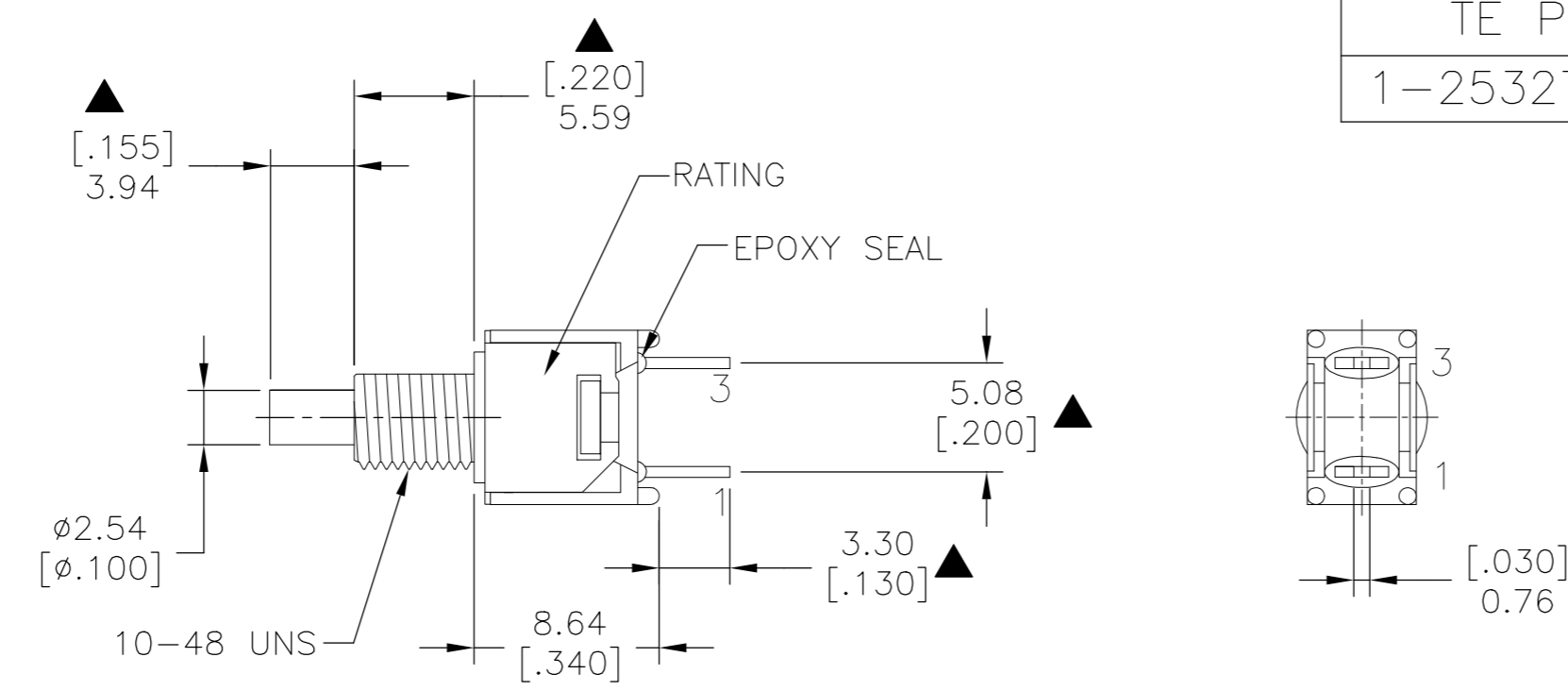
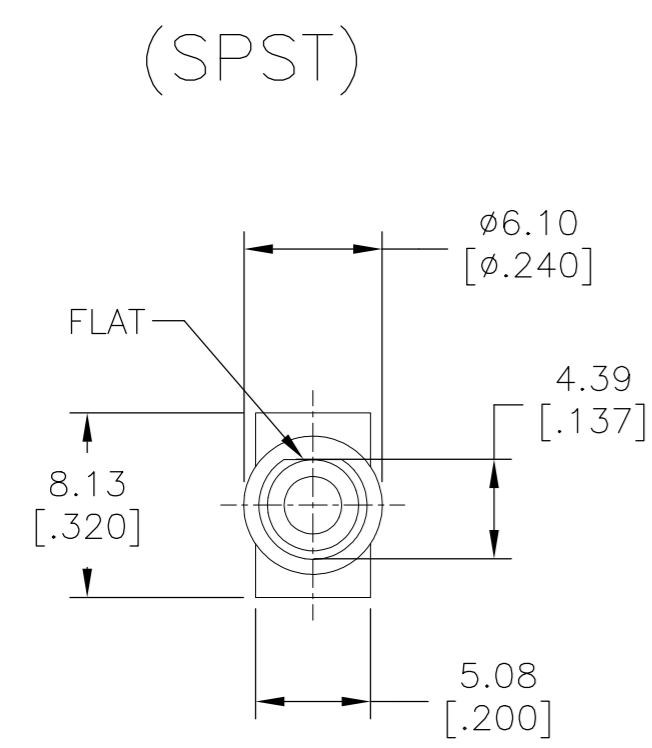


P.C. MOUNTING

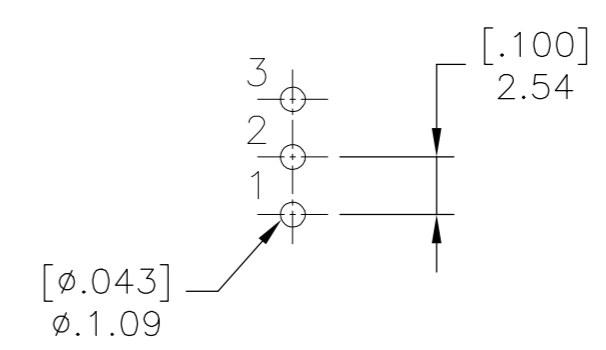
PANEL MOUNTING



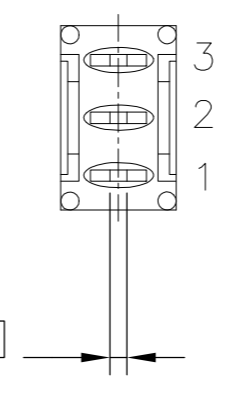
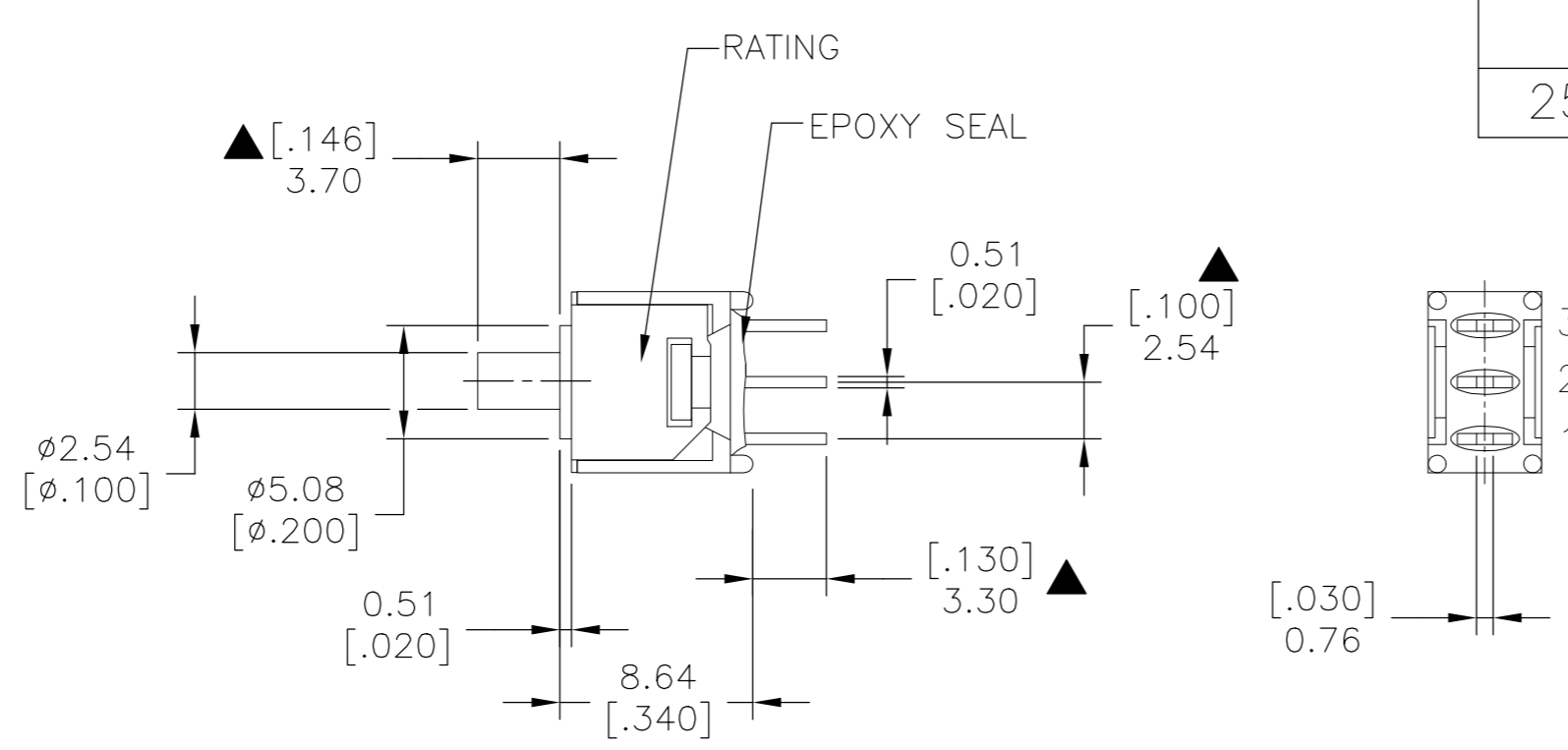
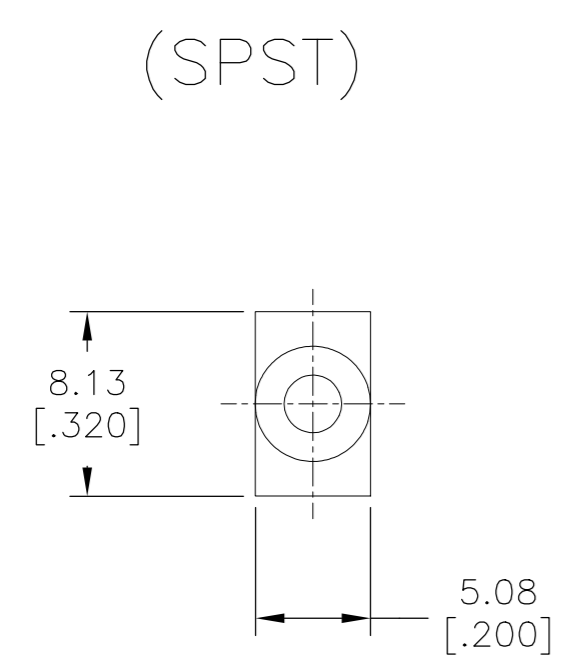
TE PN
1-2532789-0



P.C. MOUNTING

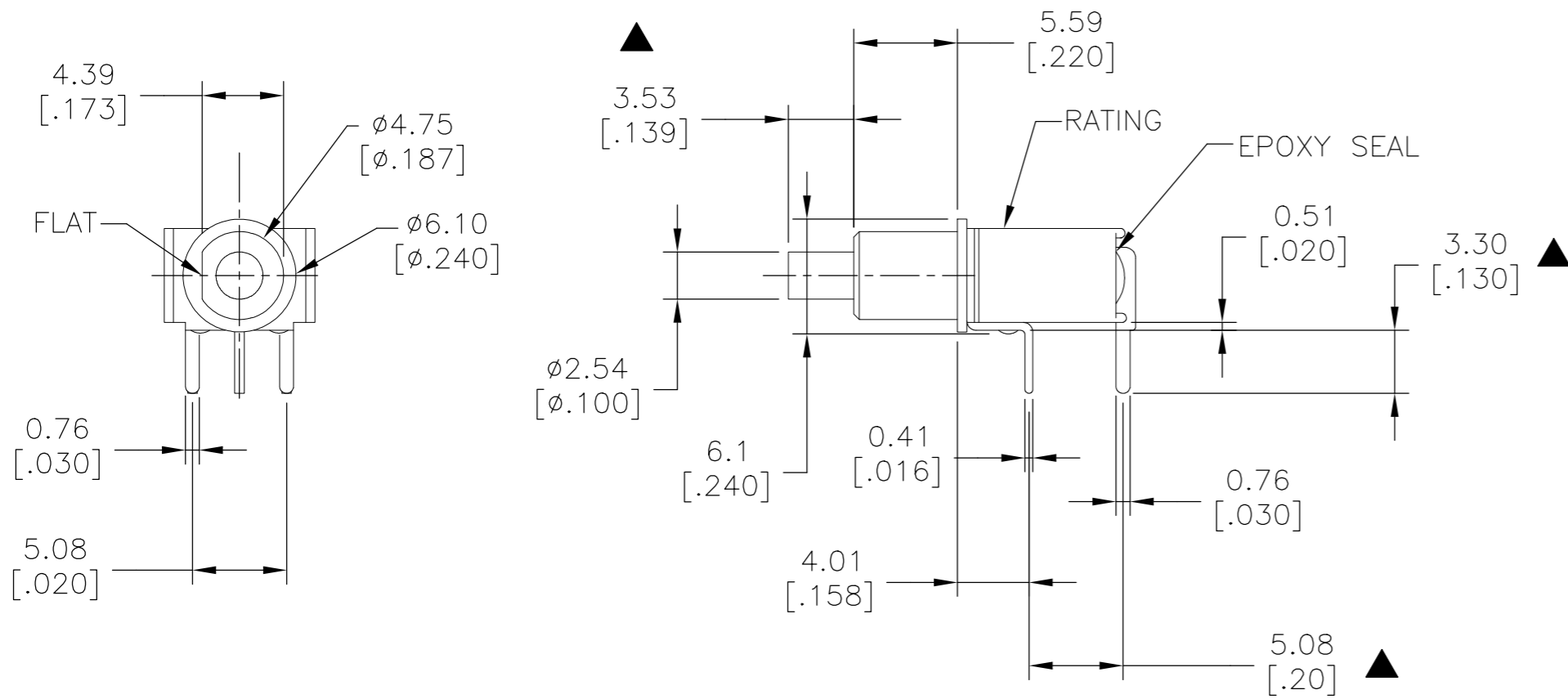


TE PN
2532789-7



THIS DRAWING IS A CONTROLLED DOCUMENT.		DWN 10DEC2025 SATHISH KUMAR_G	TE Connectivity Ltd.	
DIMENSIONS: mm [INCHES]		CHK 10DEC2025 HEMLATA KAMBLE		
TOLERANCES UNLESS OTHERWISE SPECIFIED:		APVD 10DEC2025 HEMLATA KAMBLE	NAME SUB-MINIATURE PUSHBUTTON SWITCHES	
0 PLC ± - 1 PLC ± 0.40mm 2 PLC ± 0.25mm 3 PLC ± - 4 PLC ± - ANGLES ± -		PRODUCT SPEC	SIZE CAGE CODE DRAWING NO RESTRICTED TO	
MATERIAL		APPLICATION SPEC	A2 00779 C=2532789	
FINISH		WEIGHT	SCALE NTS SHEET 4 OF 11 REV A	
CUSTOMER DRAWING				

(SPDT)



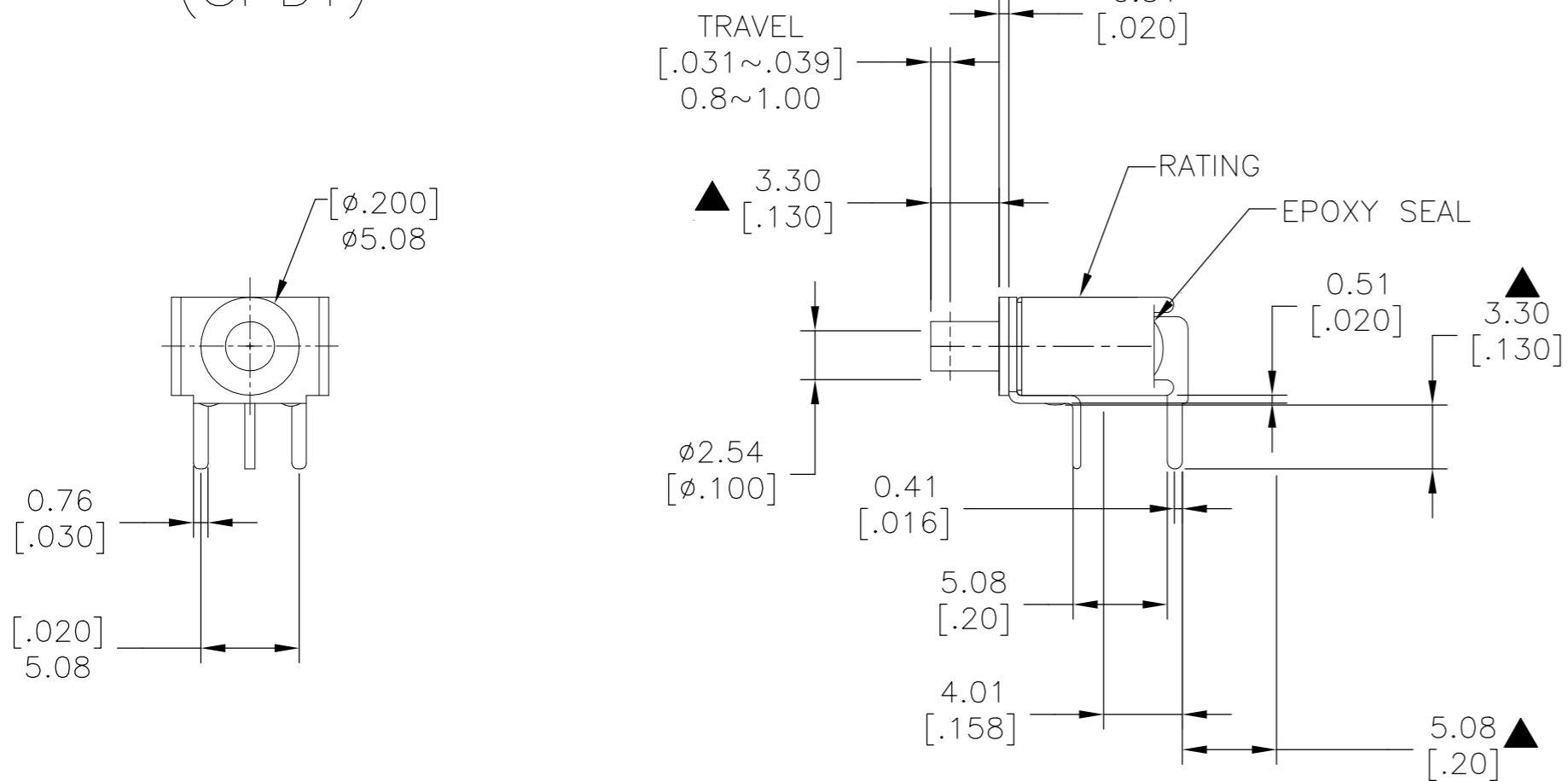
TE PN
2532789-5

REVISIONS				
P	LTR	DESCRIPTION	DATE	APVD
-	-	SEE SHEET 1	-	-

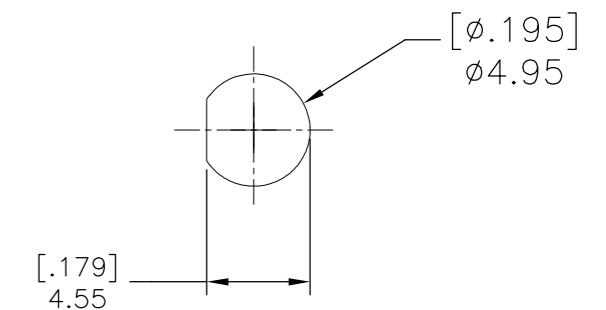
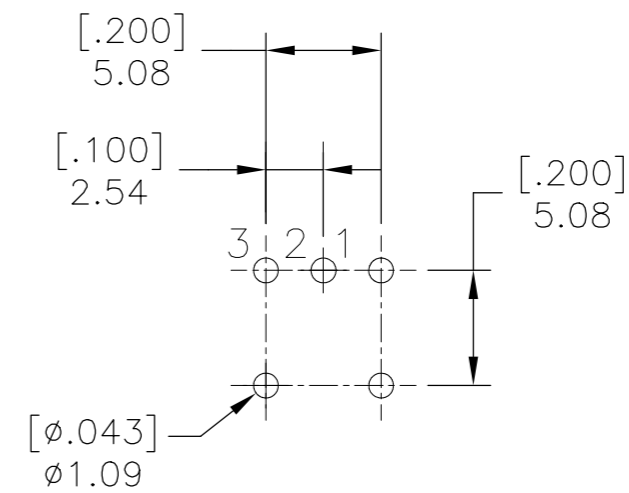
P.C. MOUNTING

WITHOUT LOCKING RING.
PANEL MOUNTING

(SPDT)



TE PN
2532789-8



NOTE:

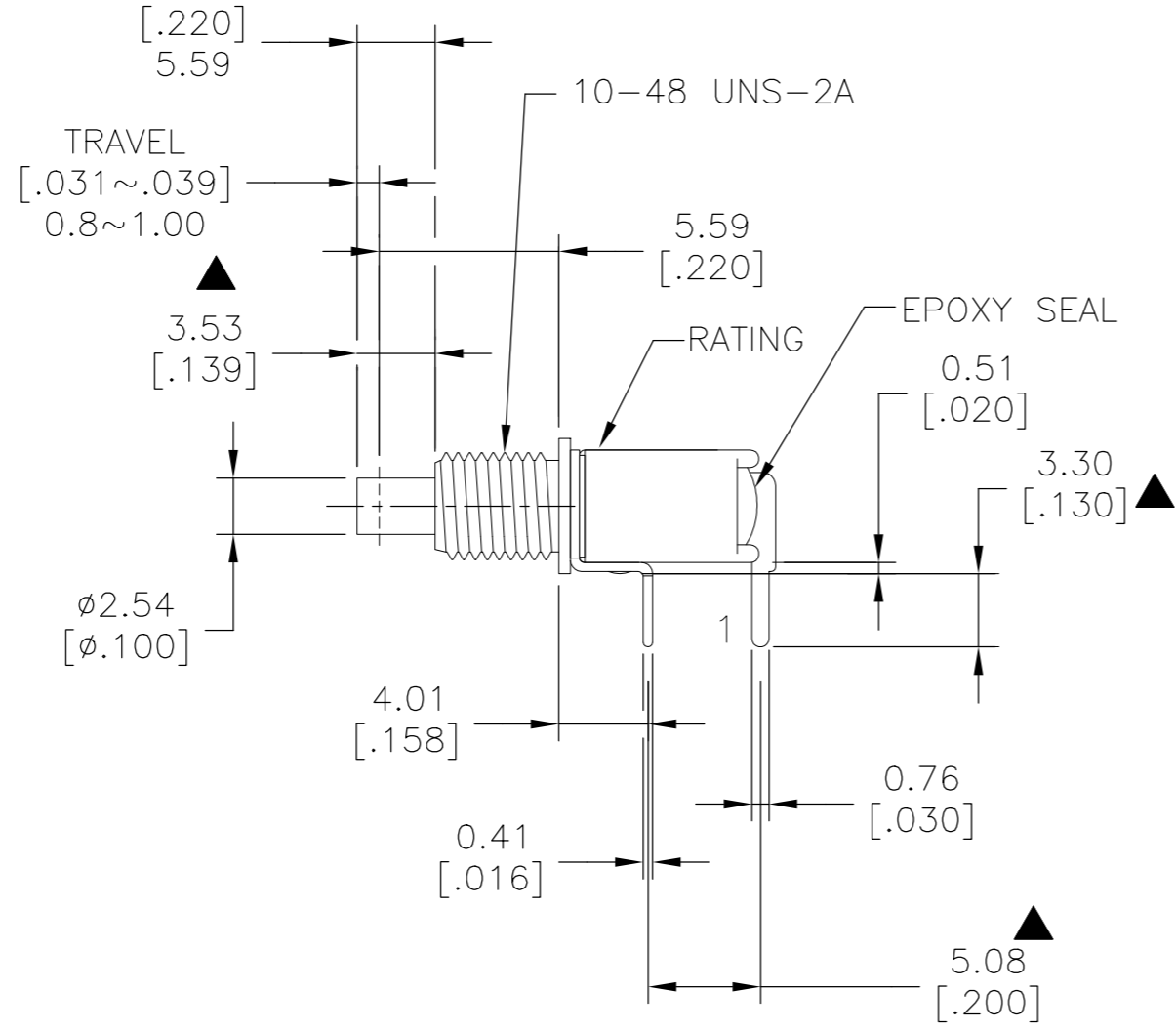
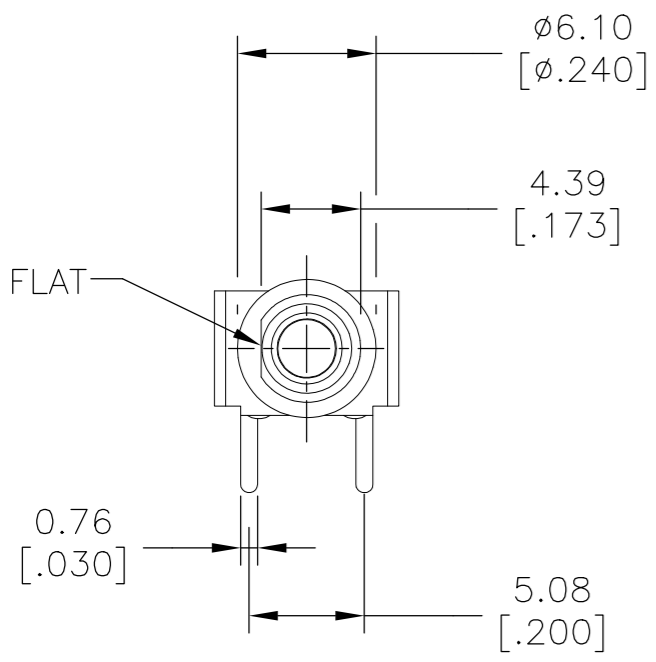
1. FOR PUSH BUTTON LENGTH & BUSH THREADING LENGTH SEE DETAILS SHEET 9 AND 11
2. FOR SOLDER LUG, PANEL CUT-OUTS AND PC MOUNTING DETAILS SEE NEXT TO DWGS ZONE A-1 to A-2
3. ▲ INDICATES CRITICAL DIMENSION

THIS DRAWING IS A CONTROLLED DOCUMENT.		DWN SATHISH KUMAR G 10DEC2025	TE Connectivity Ltd.	
DIMENSIONS: mm [INCHES]		CHK HEMLATA KAMBLE 10DEC2025		
TOLERANCES UNLESS OTHERWISE SPECIFIED:		APVD HEMLATA KAMBLE 10DEC2025	NAME SUB-MINIATURE PUSHBUTTON SWITCHES	
0 PLC ± - 1 PLC ± 0.40mm 2 PLC ± 0.25mm 3 PLC ± - 4 PLC ± - ANGLES ± -		PRODUCT SPEC -	SIZE A2	
MATERIAL -		APPLICATION SPEC -	CAGE CODE 00779	DRAWING NO C=2532789
FINISH -		WEIGHT -	RESTRICTED TO -	SCALE NTS
CUSTOMER DRAWING			SHEET 5 of 11	REV A

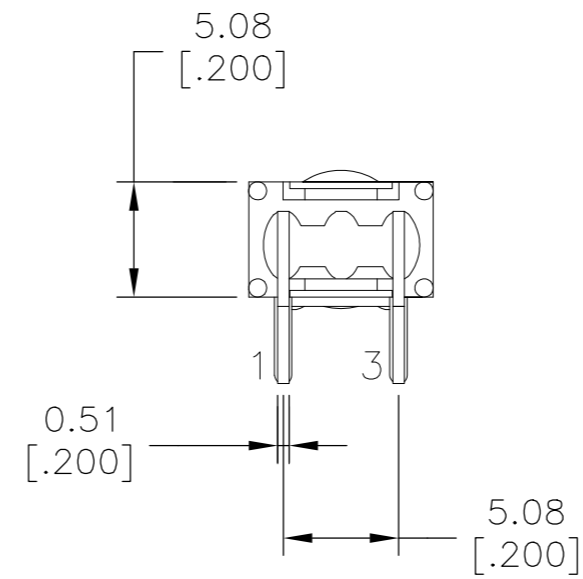
REVISIONS

P	LTR	DESCRIPTION	DATE	DWN	APVD
-	-	SEE SHEET 1	-	-	-

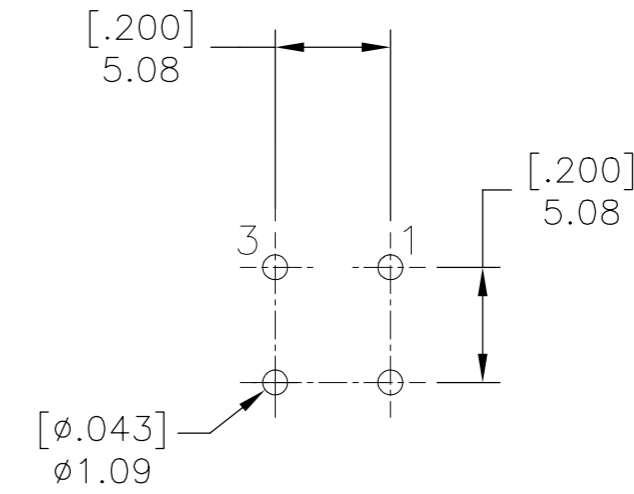
(SPDT)



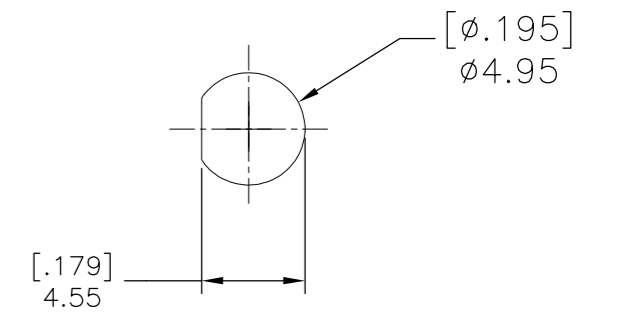
TE PN
1-2532789-1



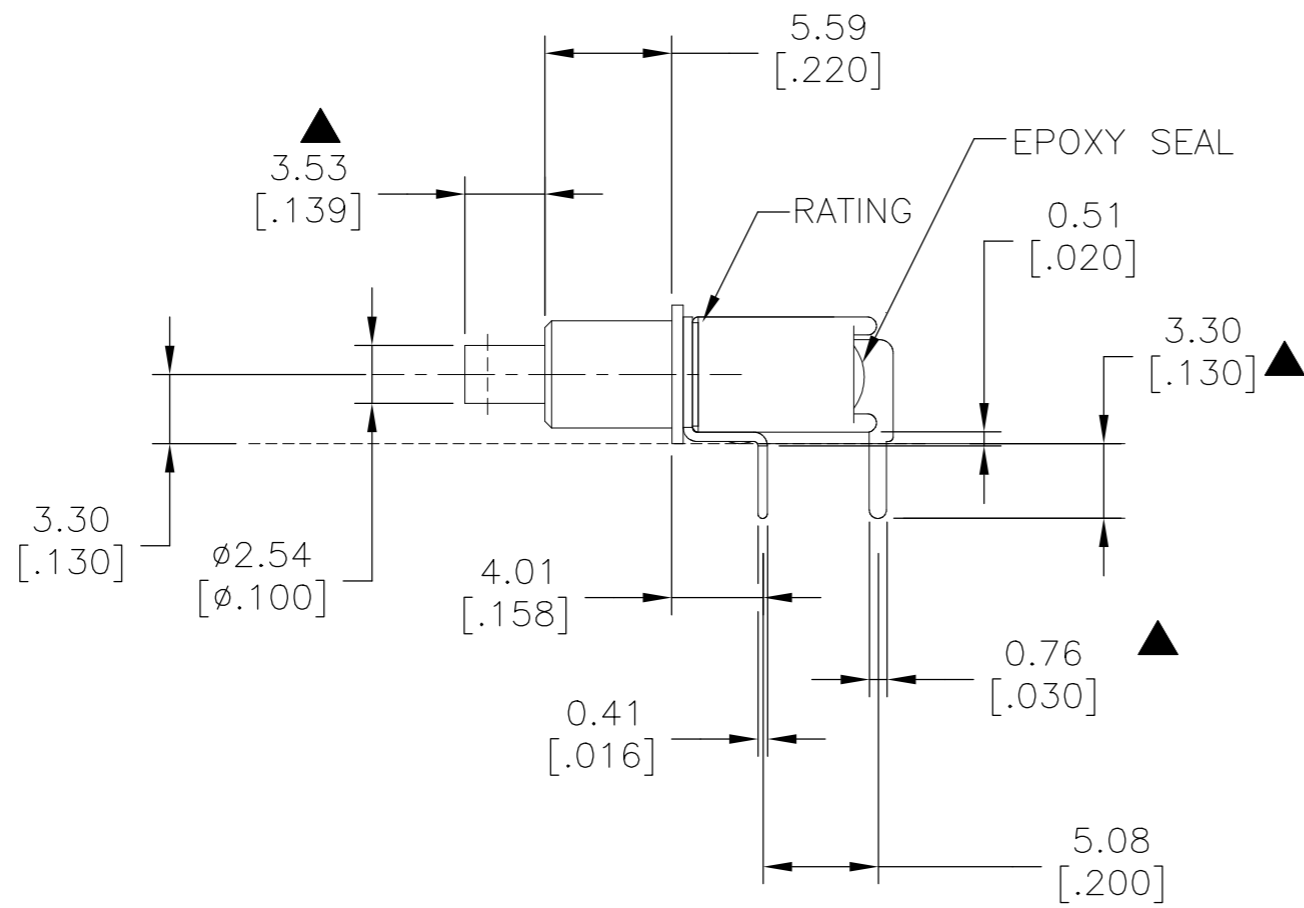
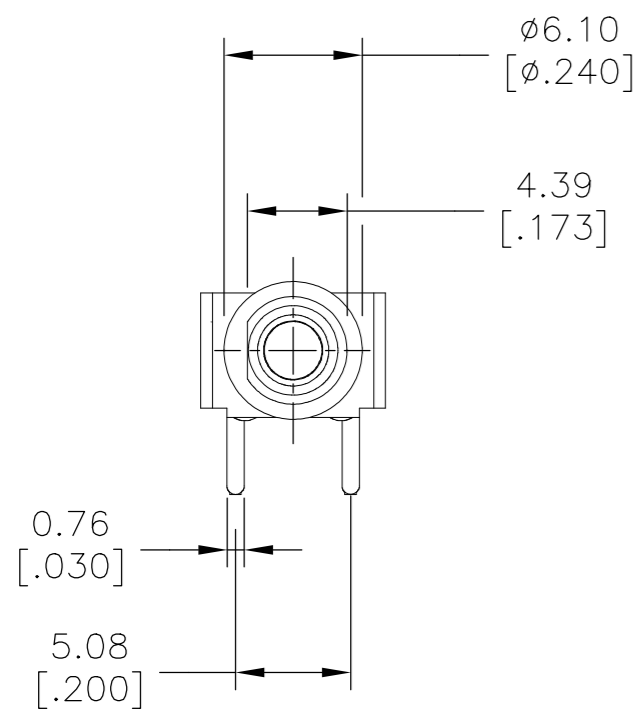
P.C. MOUNTING



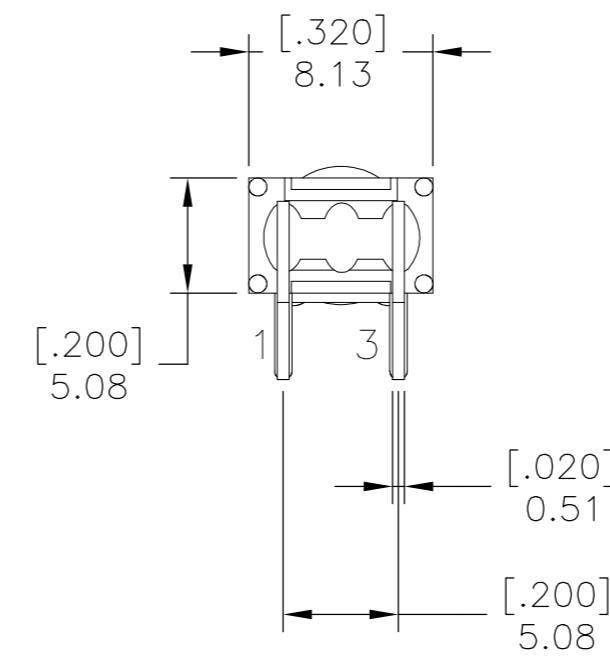
PANEL MOUNTING



(SPDT)



TE PN
1-2532789-4

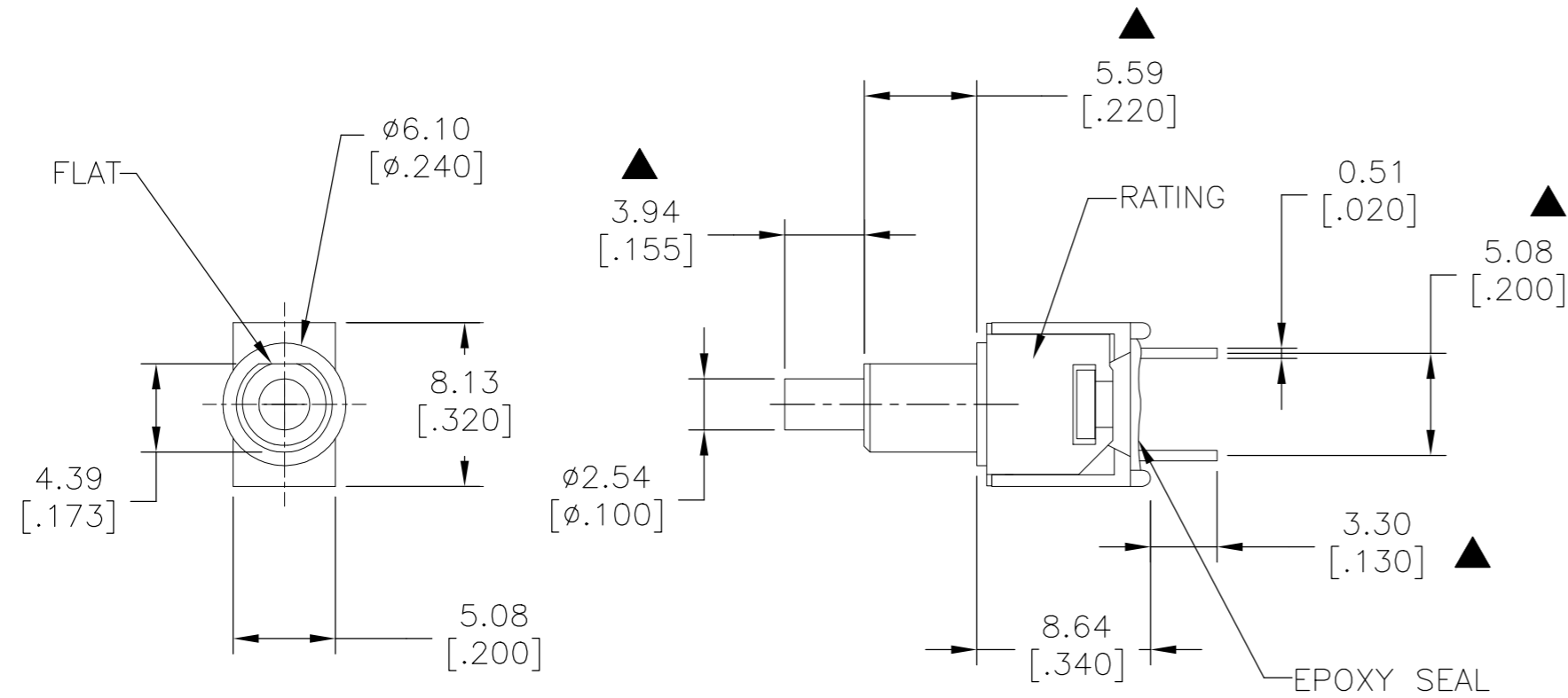


NOTE:

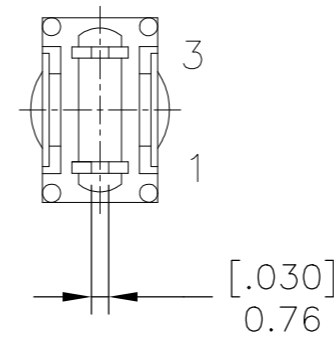
1. FOR PUSH BUTTON LENGTH & BUSH THREADING LENGTH SEE DETAILS SHEET 9 AND 11
2. FOR SOLDER LUG, PANEL CUT-OUTS AND PC MOUNTING DETAILS SEE NEXT TO DWGS ZONE A-1 to A-2
3. ▲ INDICATES CRITICAL DIMENSION

THIS DRAWING IS A CONTROLLED DOCUMENT.		DWN SATHISH KUMAR G 10DEC2025	TE Connectivity Ltd.																			
DIMENSIONS: mm [INCHES]		CHK HEMLATA KAMBLE 10DEC2025																				
TOLERANCES UNLESS OTHERWISE SPECIFIED:		APVD HEMLATA KAMBLE 10DEC2025	NAME SUB-MINIATURE PUSHBUTTON SWITCHES																			
<table border="0"> <tr><td>0 PLC</td><td>±</td><td>-</td></tr> <tr><td>1 PLC</td><td>±</td><td>0.40mm</td></tr> <tr><td>2 PLC</td><td>±</td><td>0.25mm</td></tr> <tr><td>3 PLC</td><td>±</td><td>-</td></tr> <tr><td>4 PLC</td><td>±</td><td>-</td></tr> <tr><td>ANGLES</td><td>±</td><td>-</td></tr> </table>		0 PLC	±	-	1 PLC	±	0.40mm	2 PLC	±	0.25mm	3 PLC	±	-	4 PLC	±	-	ANGLES	±	-	PRODUCT SPEC -	SIZE A2	
0 PLC	±	-																				
1 PLC	±	0.40mm																				
2 PLC	±	0.25mm																				
3 PLC	±	-																				
4 PLC	±	-																				
ANGLES	±	-																				
MATERIAL -		APPLICATION SPEC -	CAGE CODE 00779	DRAWING NO C=2532789																		
FINISH -		WEIGHT -	SCALE NTS	SHEET 6 OF 11																		
CUSTOMER DRAWING			RESTRICTED TO -	REV A																		

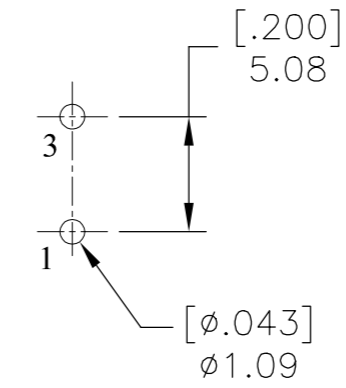
(SPDT)



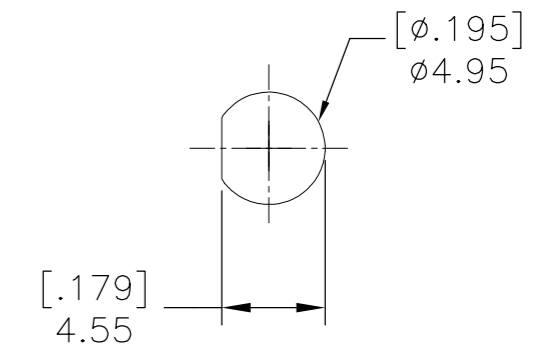
TE PN
1-2532789-2



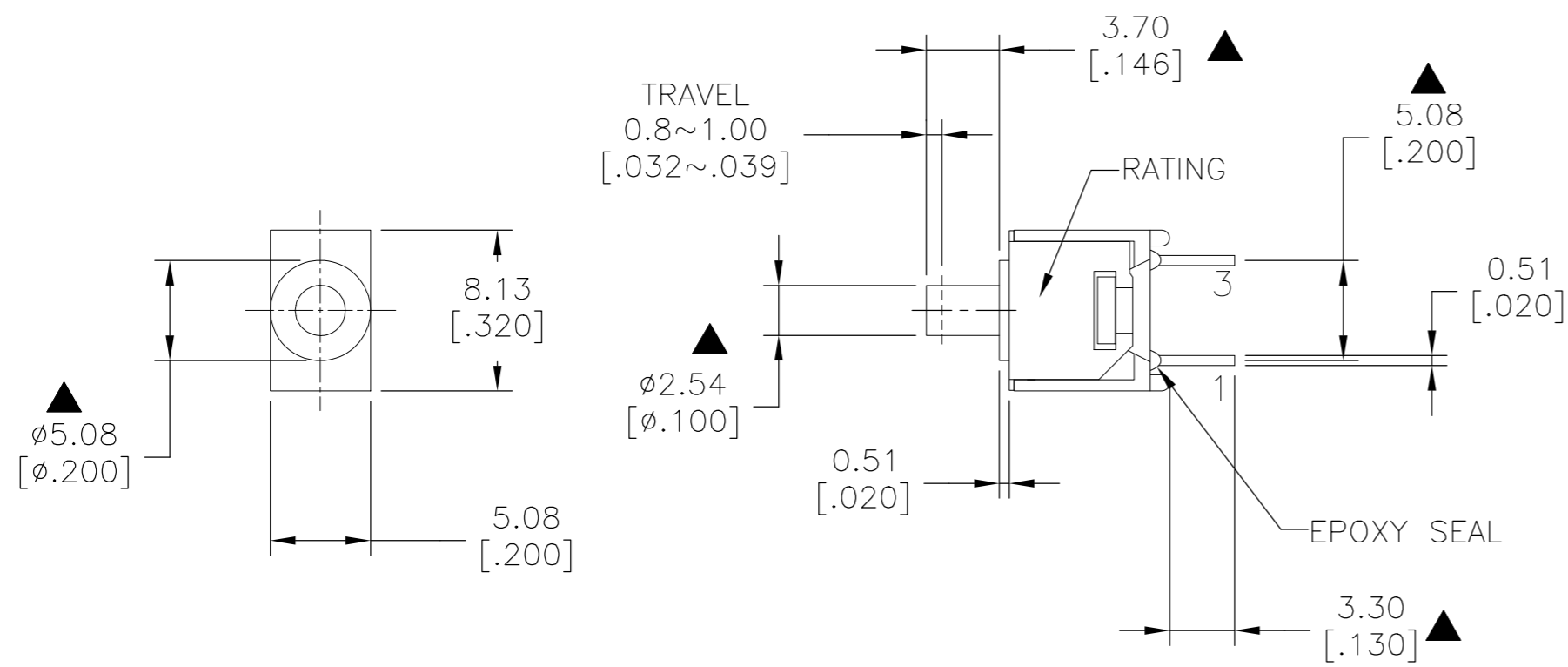
P.C. MOUNTING



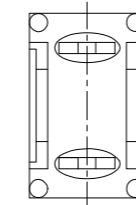
PANEL MOUNTING



(SPDT)



TE PN
1-2532789-5



NOTE:

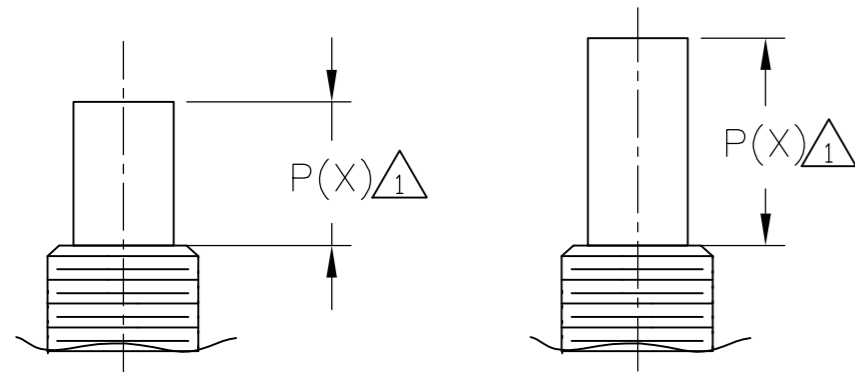
1. FOR PUSH BUTTON LENGTH & BUSH THREADING LENGTH SEE DETAILS SHEET 9 AND 11
2. FOR SOLDER LUG, PANEL CUT-OUTS AND PC MOUNTING DETAILS SEE NEXT TO DWGS ZONE A-1 to A-3
3. ▲ INDICATES CRITICAL DIMENSION

THIS DRAWING IS A CONTROLLED DOCUMENT.		DWN SATHISH KUMAR G 10DEC2025	TE Connectivity Ltd.	
DIMENSIONS: mm [INCHES]		CHK HEMLATA KAMBLE 10DEC2025		
TOLERANCES UNLESS OTHERWISE SPECIFIED:		APVD HEMLATA KAMBLE 10DEC2025	NAME SUB-MINIATURE PUSHBUTTON SWITCHES	
		PRODUCT SPEC -	SIZE A2	
MATERIAL -		APPLICATION SPEC -	CAGE CODE 00779	DRAWING NO C=2532789
FINISH -		WEIGHT -	RESTRICTED TO -	SCALE NTS
CUSTOMER DRAWING			SHEET 8 OF 11	REV A

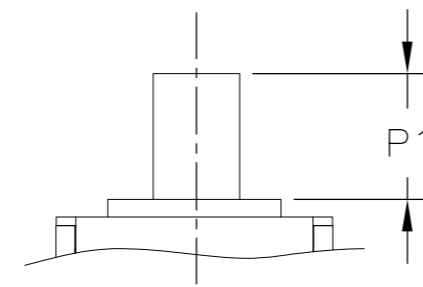
ACTUATOR / PUSHBUTTON STYLE

REVISIONS				
P	LTR	DESCRIPTION	DATE	APVD
-	-	SEE SHEET 1	-	-

PUSH BUTTON

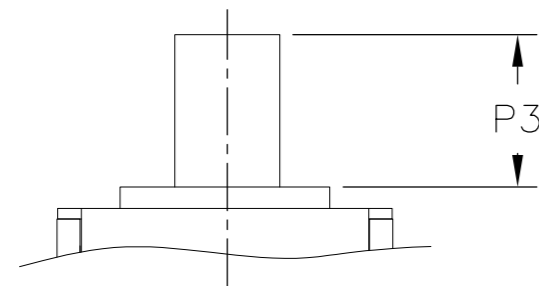
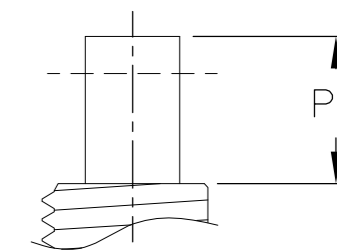


M SHORT **S** STANDARD

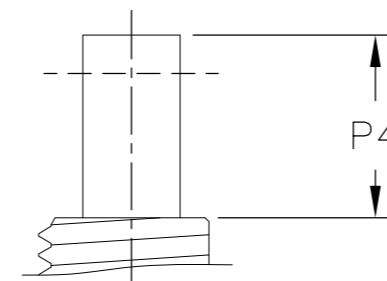


P3 (Length)	TE PN
3.30 [.130]	2532789-8
	2532789-9
	1-2532789-6

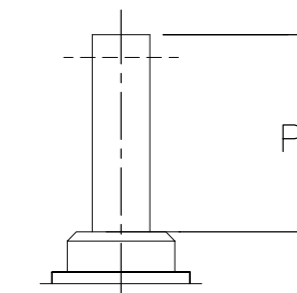
P2 (Length)	TE PN
3.53 [.139]	2532789-5
	2532789-3
	2532789-4
	2532789-6
	1-2532789-1
	1-2532789-4



P3 (Length)	TE PN
3.70 [.146]	2532789-7
	1-2532789-5

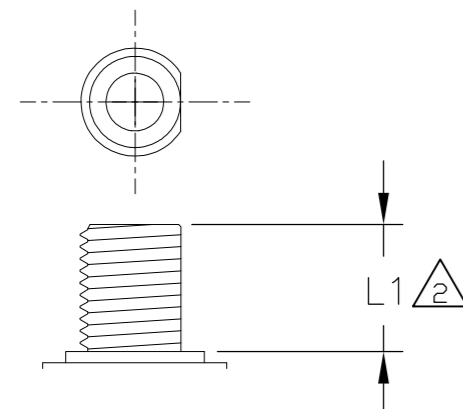


P4 (Length)	TE PN
3.94 [.155]	2532789-1
	2532789-2
	1-2532789-0
	1-2532789-2
	1-2532789-3

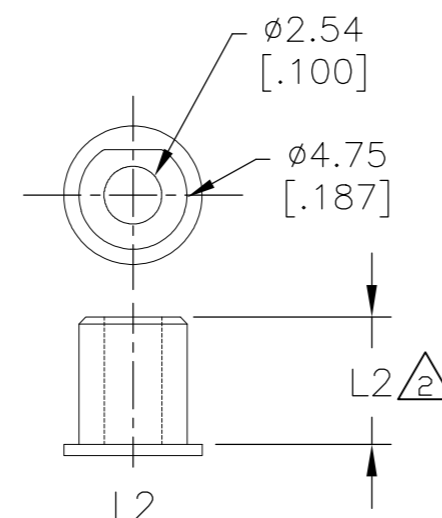


P5 (Length)	TE PN
7.34 [.289]	1-2532789-7

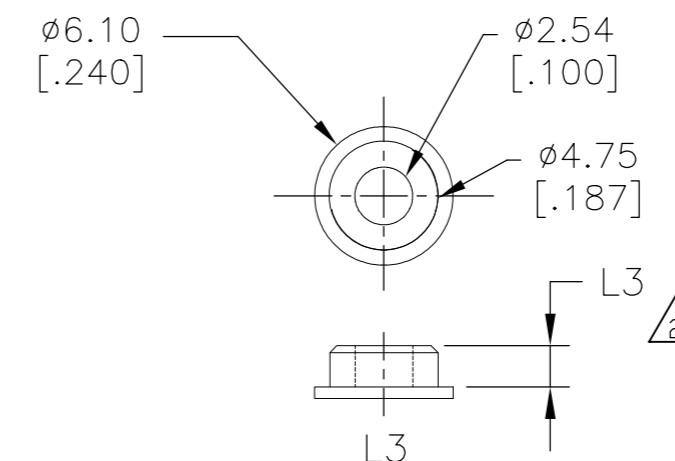
BUSHINGS



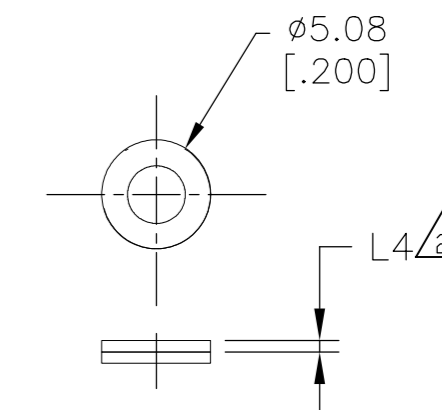
L1(Length)	TE PN
5.59 [.220]	2532789-1
	2532789-2
	2532789-3
	2532789-4
	1-2532789-0
	1-2532789-1



L2(Length)	TE PN
5.59 [.220]	2532789-5
	2532789-6
	1-2532789-2
	1-2532789-3
	1-2532789-4



L4(Length)	L3(Length)	TE PN
	1.78 [.070]	1-2532789-7
0.51 [.020]		2532789-8
0.51 [.020]		2532789-7
0.51 [.020]		2532789-9
0.51 [.020]		1-2532789-5
0.51 [.020]		1-2532789-6



T THREADED / HARDWARE

P PLAIN / NO HARDWARE

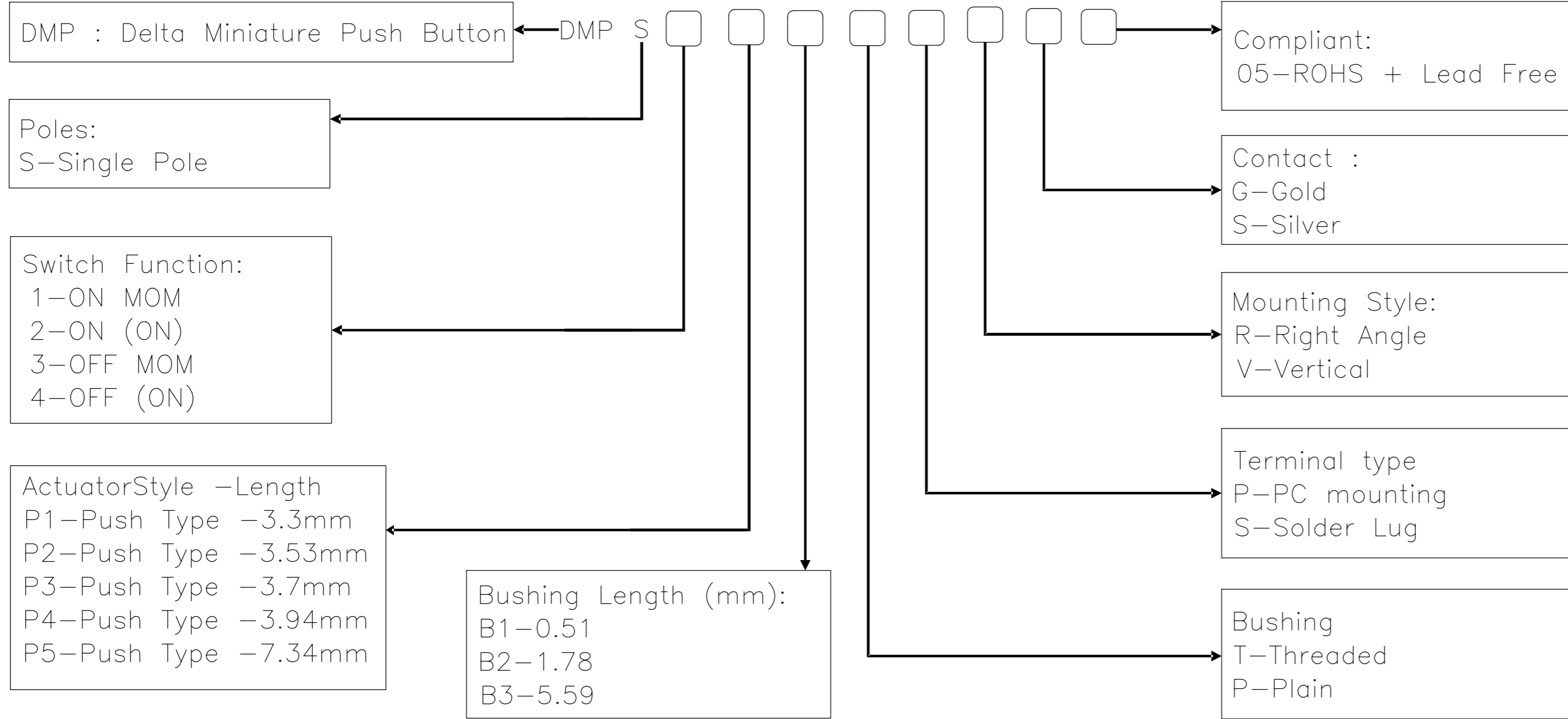
NOTE:

- $\triangle 1$ P(X) represents Pushbutton length of each body i.e P1,P2,P3,P4,P5
- $\triangle 2$ L1, L2,L3 & L4 represents Bushing length of each body

THIS DRAWING IS A CONTROLLED DOCUMENT.		DWN 10DEC2025 SATHISH KUMAR_G	TE Connectivity Ltd.	
DIMENSIONS: mm [INCHES]		CHK 10DEC2025 HEMLATA KAMBLE		
TOLERANCES UNLESS OTHERWISE SPECIFIED:		APVD 10DEC2025 HEMLATA KAMBLE	NAME SUB-MINIATURE PUSHBUTTON SWITCHES	
0 PLC ± - 1 PLC ± 0.40mm 2 PLC ± 0.25mm 3 PLC ± - 4 PLC ± - ANGLES ± -		PRODUCT SPEC	SIZE CAGE CODE DRAWING NO RESTRICTED TO	
MATERIAL		APPLICATION SPEC	A2 00779 C=2532789	
FINISH		WEIGHT	SCALE NTS SHEET 9 of 11 REV A	
		CUSTOMER DRAWING		

Delta Miniature Push Button Series

REVISIONS				
P	LTR	DESCRIPTION	DATE	APVD
-	-	SEE SHEET 1	-	-



TE SMART PART NUMBER	PART DESCRIPTION	TE PN
DMPS2P4B3TSVS05	DMP PB SPDT 3A ON (ON) T V S B3	2532789-1
DMPS2P4B3TPVG05	DMP PB SPDT 0.4A ON (ON) T V G B3	2532789-2
DMPS2P2B3PPRS05	DMP PB SPDT 3A ON (ON) T R S B3	2532789-3
DMPS2P2B3TPRS05	DMP PB SPDT 0.4A ON (ON) T R G B3	2532789-4
DMPS2P1B1PPRG05	DMP PB SPDT 3A ON (ON) P R S B3	2532789-5
DMPS2P2B3TPRG05	DMP PB SPDT 0.4A ON MOM T R G B3	2532789-6
DMPS1P2B3TPRG05	DMP PB SPDT 0.4A ON (ON) P V G B1	2532789-7
DMPS2P3B1PPVG05	DMP PB SPDT 0.4A ON (ON) P R G B1	2532789-8
DMPS1P1B1PPRG05	DMP PB SPDT 0.4A ON MOM P R G B1	2532789-9
DMPS4P4B3TPVG05	DMP PB SPST 0.4A OFF (ON) T V G B3	1-2532789-0
DMPS4P2B3TPRG05	DMP PB SPST 0.4A OFF (ON) T R G B3	1-2532789-1
DMPS4P4B3PPVG05	DMP PB SPST 0.4A OFF (ON) P V G B3	1-2532789-2
DMPS3P4B3PPVS05	DMP PB SPST 3A OFF MOM P V S B3	1-2532789-3
DMPS1P4B3PPRG05	DMP PB SPST 0.4A OFF (ON) P R G B3	1-2532789-4
DMPS4P3B1PPVG05	DMP PB SPST 0.4A OFF (ON) P V G B1	1-2532789-5
DMPS4P1B1PPRS05	DMP PB SPST 3A OFF (ON) P R S B1	1-2532789-6
DMPS4P5B2PPRS05	DMP PB SPST 3A OFF (ON) P R S B2	1-2532789-7

THIS DRAWING IS A CONTROLLED DOCUMENT.		DWN SATHISH KUMAR G 10DEC2025	TE Connectivity Ltd.	
DIMENSIONS: mm [INCHES]		CHK HEMLATA KAMBLE 10DEC2025		
		APVD HEMLATA KAMBLE 10DEC2025	NAME SUB-MINIATURE PUSHBUTTON SWITCHES	
TOLERANCES UNLESS OTHERWISE SPECIFIED: 0 PLC ± - 1 PLC ± 0.40mm 2 PLC ± 0.25mm 3 PLC ± - 4 PLC ± - ANGLES ± -		PRODUCT SPEC -	APPLICATION SPEC -	
MATERIAL -	FINISH -	WEIGHT	SIZE A2	CAGE CODE 00779
CUSTOMER DRAWING			DRAWING NO C=2532789	RESTRICTED TO -
SCALE NTS			SHEET 10 OF 11	REV A

REVISIONS

P	LTR	DESCRIPTION	DATE	DWN	APVD
-	-	SEE SHEET 1	-	-	-

NOMENCLATURE

PUSH BUTTON LENGTH	PUSH BUTTON/BUSHING TYPE	ACTUATOR / PUSHBUTTON STYLE	CONTACT MATERIAL	SWITCH FUNCTION	HARDWARE STATUS	HARDWARE	TERMINATION	MOUNT ANGLE	POLE/THROW	UL/CAS Model	TE PN
5.59 [.220]	P4	THREADED	Silver	ON (ON)	W/Hardware	YES	PC THROUGH HOLE	VERTICAL	SPDT	Q2818M1	2532789-1
5.59 [.220]	P4	THREADED	Gold	ON (ON)	W/Hardware	YES	PC THROUGH HOLE	VERTICAL	SPDT	Q2818M2	2532789-2
5.59 [.220]	P4	THREADED	Gold	ON (ON)	W/Hardware	YES	PC THROUGH HOLE	RIGHT ANGLE	SPST	Q2818M6	2532789-3
5.59 [.220]	P4	THREADED	Silver	ON (ON)	W/Hardware	YES	PC THROUGH HOLE	RIGHT ANGLE	SPST	Q2818M6	2532789-4
5.59 [.220]	P4	PLAIN	Gold	ON (ON)	None hardware	NA	PC THROUGH HOLE	RIGHT ANGLE	SPDT	Q2818M6	2532789-5
5.59 [.220]	P4	PLAIN	Gold	ON MOM	None hardware	NA	PC THROUGH HOLE	RIGHT ANGLE	SPST	Q2818M7	2532789-6
3.70 [.146]	P3	PLAIN	Gold	ON (ON)	None hardware	YES	PC THROUGH HOLE	VERTICAL	SPST	Q2818M2	2532789-7
3.30 [.130]	P1	PLAIN	Gold	ON (ON)	None hardware	NA	PC THROUGH HOLE	RIGHT ANGLE	SPDT	Q2818M6	2532789-8
3.30 [.130]	P1	PLAIN	Gold	ON MOM	None hardware	YES	PC THROUGH HOLE	RIGHT ANGLE	SPST	Q2818M7	2532789-9
5.59 [.220]	L1	THREADED	Gold	OFF (ON)	W/Hardware	NA	PC THROUGH HOLE	VERTICAL	SPST	Q2819M2	1-2532789-0
5.59 [.220]	L1	THREADED	Gold	OFF (ON)	W/Hardware	NA	PC THROUGH HOLE	RIGHT ANGLE	SPDT	Q2819M6	1-2532789-1
5.59 [.220]	L2	PLAIN	Gold	OFF (ON)	None hardware	NA	PC THROUGH HOLE	VERTICAL	SPDT	Q2819M2	1-2532789-2
5.59 [.220]	L2	PLAIN	Silver	OFF MOM	None hardware	YES	PC THROUGH HOLE	VERTICAL	SPST	Q2819M2	1-2532789-3
5.59 [.220]	L2	PLAIN	Silver	OFF (ON)	None hardware	NA	PC THROUGH HOLE	RIGHT ANGLE	SPDT	Q2819M6	1-2532789-4
3.70 [.146]	P3	PLAIN	Gold	OFF (ON)	None hardware	NA	PC THROUGH HOLE	VERTICAL	SPDT	Q2819M2	1-2532789-5
3.30 [.130]	P1	PLAIN	Silver	OFF (ON)	None hardware	NA	PC THROUGH HOLE	RIGHT ANGLE	SPST	Q2819M6	1-2532789-6
3.30 [.130]	P1	PLAIN	Silver	OFF (ON)	None hardware	NA	PC THROUGH HOLE	RIGHT ANGLE	SPDT	Q2819M7	1-2532789-7


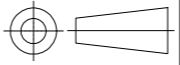
HARDWARE DETAILS	
PART NAME	QTY
10-48 INCH NUTS	2
LOCKING WASHER	1

SPECIFICATIONS CHART	
ELECTRICAL LIFE	50000 make-and-break cycles.
CONTACT RESISTANCE	20 mΩ max. initial @ 2-4VDC 100mA for both silver and gold plated contacts.
INSULATION RESISTANCE	1000 MΩ min.
DIELECTRIC WITHSTANDING VOLTAGE	1000 Vrms min.@sea level.
OPERATING TEMPERATURE for ALL PNs	→ -40°C to 85°C
for PNs -6, 1-3, 1-4	→ -30°C to 85°C

MATERIALS	
CASE:	Diallyl phthalate (DAP) (UL94v-0).
PLUNGER for ALL PNs	→ Nylon 6/6 ,Black
for PNs-6	→ Thermoplastic Polyester-black
BUSHING for ALL PNs	→ Brass, Nickel Plated.
for PNs-5, -6,-7,-8 & 1-6	→ Zinc,nickel plated
HOUSING	stainless Steel
CONTACT	Brass
TERMINAL/CONTACT	Copper ALLOY
SWITCH SUPPORT for PNs-5, -6, -8 ,1-4, 1-6, 1-7	Brass, tin plated.
RoHS & Lead Free	

TE PN	CONTACT/TERMINAL PLATING	RATINGS
2532789-2	R	0.4 Volt-Amps(VA) max. @20V max. (AC or DC)
2532789-8		
2532789-9		
2532789-4		
2532789-6		
2532789-7		
1-2532789-0		
1-2532789-1		
1-2532789-2		
1-2532789-3		
1-2532789-4	Q	3 Amps @120 VAC or 28VDC 1 Amps @250 VAC
1-2532789-5		
1-2532789-6		
2532789-3		
2532789-1		
2532789-5		
1-2532789-7		

- NOTES:
- ALL MATERIALS AND FINISHES SHALL COMPLY WITH RoHS.
 - CURRENT LIMITING RESISTOR IS REQUIRED TO LIMIT LED FORWARD CURRENT TO 20mA.
 - PARTS TO BE PURCHASED FROM DAILYWELL.

THIS DRAWING IS A CONTROLLED DOCUMENT.		DWN SATHISH KUMAR G 10DEC2025	 TE Connectivity Ltd.	
DIMENSIONS: mm [INCHES]		CHK HEMLATA KAMBLE 10DEC2025		
TOLERANCES UNLESS OTHERWISE SPECIFIED:		APVD HEMLATA KAMBLE 10DEC2025	NAME SUB-MINIATURE PUSHBUTTON SWITCHES	
		PRODUCT SPEC -	SIZE A2	
MATERIAL		APPLICATION SPEC -	CAGE CODE 00779	DRAWING NO C=2532789
FINISH		WEIGHT	RESTRICTED TO	
		CUSTOMER DRAWING	SCALE NTS	SHEET 11 OF 11