

4

3

2

1

© 2026 TE Connectivity. All Rights Reserved.

SWITCH FUNCTION CHART

REVISIONS					
P	LTR	DESCRIPTION	DATE	DWN	APVD
A		INITIAL RELEASE	05DEC2025	MBA	HK

2532788-1
2532788-2
2532788-3
2532788-4

SPDT

MODEL NO. 1MS1			
	POS.1	POS.2	POS.3
FUNCTION			
2	ON	NONE	ON
TERMINAL CONNECTED	2-3		2-1
SCHEMATIC		N/A	

None: No mechanical position
Off: Mechanical position with no electrical connection
(On): Momentary action

2532788-5
2532788-6

SPDT

MODEL NO. 1MS3			
	POS.1	POS.2	POS.3
FUNCTION			
2	ON	OFF	ON
TERMINAL CONNECTED	2-3		2-1
SCHEMATIC		OPEN	

None: No mechanical position
Off: Mechanical position with no electrical connection
(On): Momentary action

1-2532788-1

DPDT

Model No. 1MD3			
	POS.1	POS.2	POS.3
FUNCTION			
3	ON	OFF	ON
TERMINAL CONNECTED	2-3,5-6		2-1,5-4
SCHEMATIC		OPEN	

None: No mechanical position
Off: Mechanical position with no electrical connection
(On): Momentary action

2532788-7
1-2532788-0

DPDT

Model No. 1MD1			
	POS.1	POS.2	POS.3
FUNCTION			
1	ON	NONE	ON
TERMINAL CONNECTED	2-3,5-6		2-1,5-4
SCHEMATIC		N/A	

None: No mechanical position
Off: Mechanical position with no electrical connection
(On): Momentary action

2532788-8
2532788-9

DPDT

Model No. 1MD1			
	POS.1	POS.2	POS.3
FUNCTION			
1	ON	NONE	ON
TERMINAL CONNECTED	2-3,5-6		2-1,5-4
SCHEMATIC		N/A	

None: No mechanical position
Off: Mechanical position with no electrical connection
(On): Momentary action

1-2532788-2

SPDT

MODEL NO. 1MD6			
	POS.1	POS.2	POS.3
FUNCTION			
2	ON	ON	ON
TERMINAL CONNECTED	2-3,5-6	2-3,5-4	2-1,5-4
SCHEMATIC			

None: No mechanical position
Off: Mechanical position with no electrical connection
(On): Momentary action

THIS DRAWING IS A CONTROLLED DOCUMENT.

DWN MAHESH B ATTIMARAD 10DEC2025
CHK MAHESH B ATTIMARAD 10DEC2025
HEMLATA KAMBLE
APVD HEMLATA KAMBLE 10DEC2025
PRODUCT SPEC
APPLICATION SPEC
WEIGHT
CUSTOMER DRAWING

TE Connectivity Ltd.

DELTA MINIATURE TOGGLES SERIES

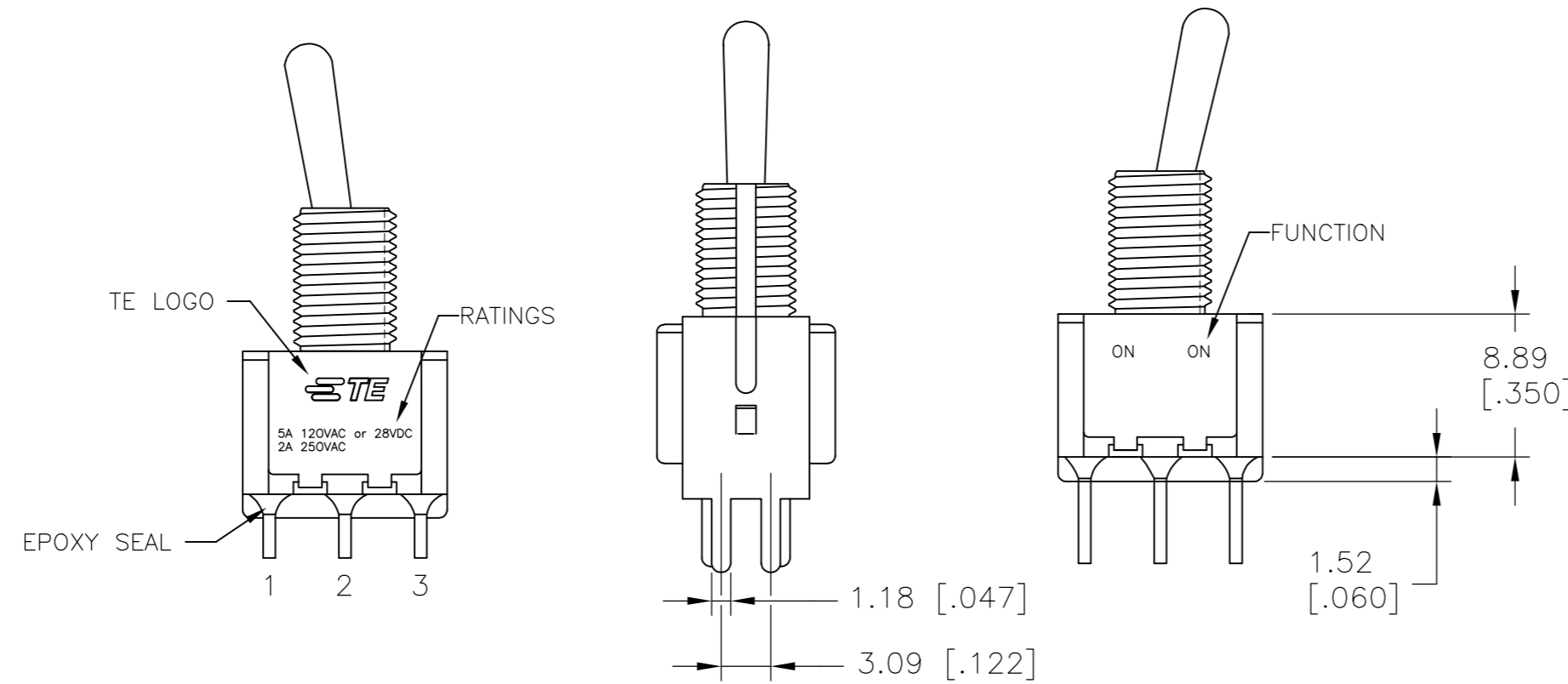
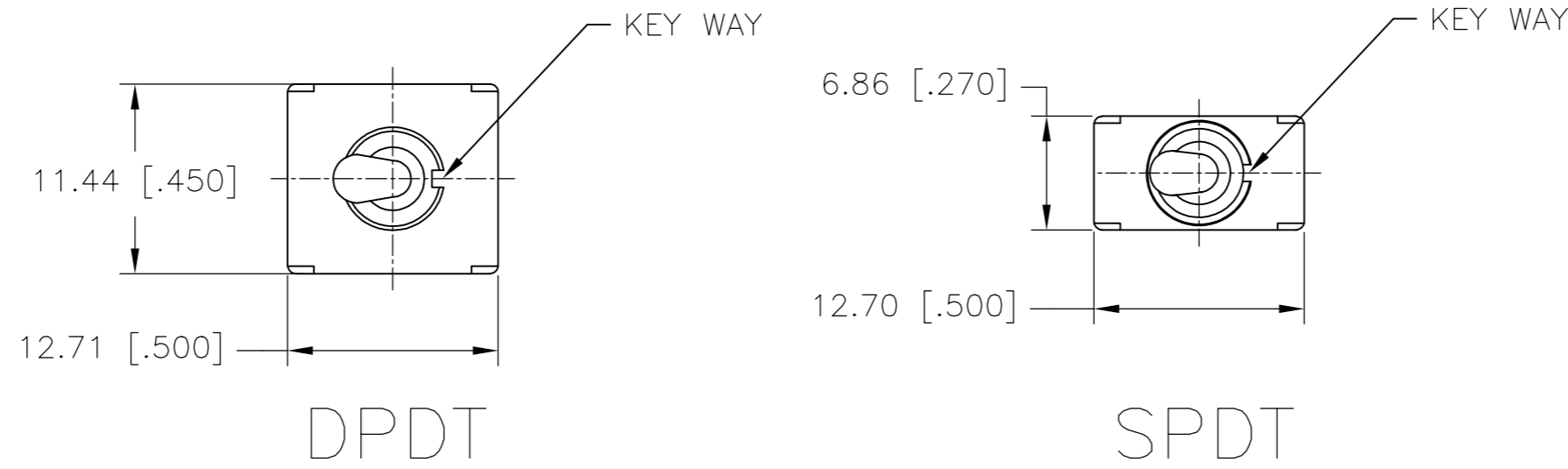
DIMENSIONS: mm [INCHES]
TOLERANCES UNLESS OTHERWISE SPECIFIED:
0 PLC ± -
1 PLC ± 0.40mm
2 PLC ± 0.25mm
3 PLC ± -
4 PLC ± -
ANGLES ± 5°
MATERIAL FINISH

SIZE A2 CAGE CODE 00779 DRAWING NO C=2532788 RESTRICTED TO
SCALE NTS SHEET 1 of 9 REV A

1471-9 (1/15)

2532788

REVISIONS				
P	LTR	DESCRIPTION	DATE	APVD
-	-	SEE SHEET 1	-	-



HARDWARE DETAILS	
PART NAME	QTY
1/4 INCH NUTS	2
LOCKING RING	1
LOCKING WASHER	1

SPECIFICATIONS CHART	
ENDURANCE	40,000 Cycles Make-and-break Cycles
ELECTRICAL LIFE	40000 make-and-break cycles.
CONTACT RESISTANCE	10 mΩ max. initial @ 2-4VDC 100mA for both silver and gold plated contacts.
INSULATION RESISTANCE	1000 MΩ min.
DIELECTRIC WITHSTANDING VOLTAGE	1000 Vrms min.@sea level.
OPERATING TEMPERATURE	-40(°C) to 85(°C)

MATERIALS	
CASE	Diallyl phthalate (DAP) (UL94v-0).
ACTUATOR	Brass, Tin- Cobalt alloy over Ni plated.
BUSHING	brass, Nickel Plated.
HOUSING	stainless Steel
SWITCH SUPPORT	Brass, Tin Plated.
TERMINAL/CONTACT	Copper
RoHS & Lead Free	

TE PN	CONTACT/TERMINAL PLATING	RATINGS	
2532788-1	R	GOLD	0.4 Volt-Amps(VA) max. @20V max. (AC or DC)
2532788-5			
2532788-6			
2532788-8			
1-2532788-2	Q	SILVER	5 Amps @120 VAC or 28VDC 2 Amps @250 VAC
2532788-7			
2532788-2			
2532788-3			
2532788-4			
2532788-9			
1-2532788-0			
1-2532788-1			

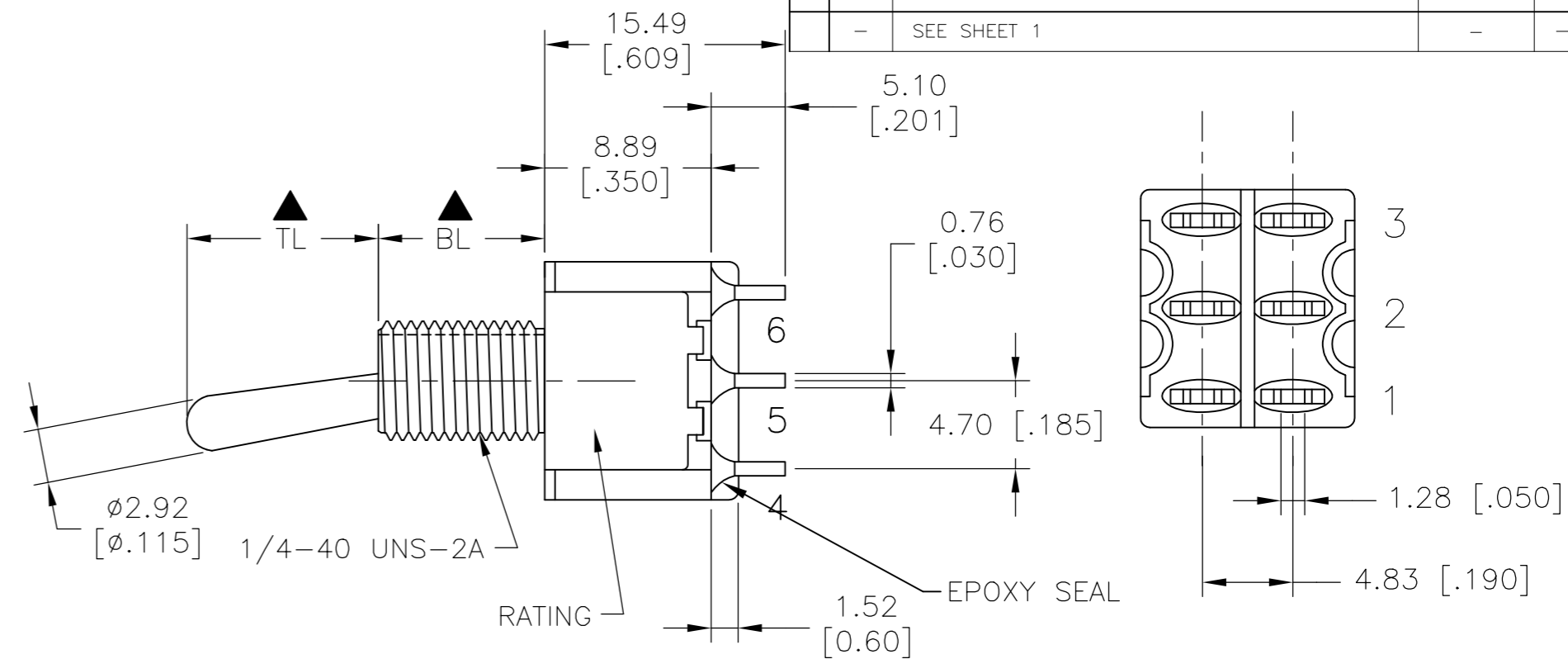
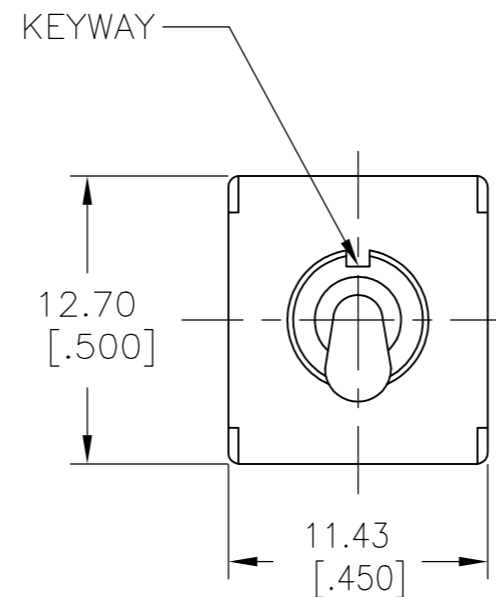
THIS DRAWING IS A CONTROLLED DOCUMENT.

DWN: MAHESH B ATTIMARAD CHK: HEMLATA KAMBLE APVD: HEMLATA KAMBLE	10DEC2025 10DEC2025 10DEC2025	TE Connectivity Ltd.	
DIMENSIONS: mm [INCHES] TOLERANCES UNLESS OTHERWISE SPECIFIED: 0 PLC ± - 1 PLC ± 0.40mm 2 PLC ± 0.25mm 3 PLC ± - 4 PLC ± - ANGLES ± -		NAME: DELTA MINIATURE TOGGLES SERIES PRODUCT SPEC: - APPLICATION SPEC: -	
MATERIAL: -	FINISH: -	WEIGHT: A2 00779	RESTRICTED TO: -
CUSTOMER DRAWING		SCALE: NTS	SHEET: 2 of 9

T THREADED W/HARDWARE

DPDT

BUSH LENGTH BL	BUSHING TYPE	TOGGLE TYPE	TOGGLE LENGTH TL	TE PN
8.89 [.350]	B4	T4	10.41 [.410]	2532788-9
8.89 [.350]	B4	T4	10.41 [.410]	1-2532788-1
8.89 [.350]	B4	T4	10.41 [.410]	2532788-8

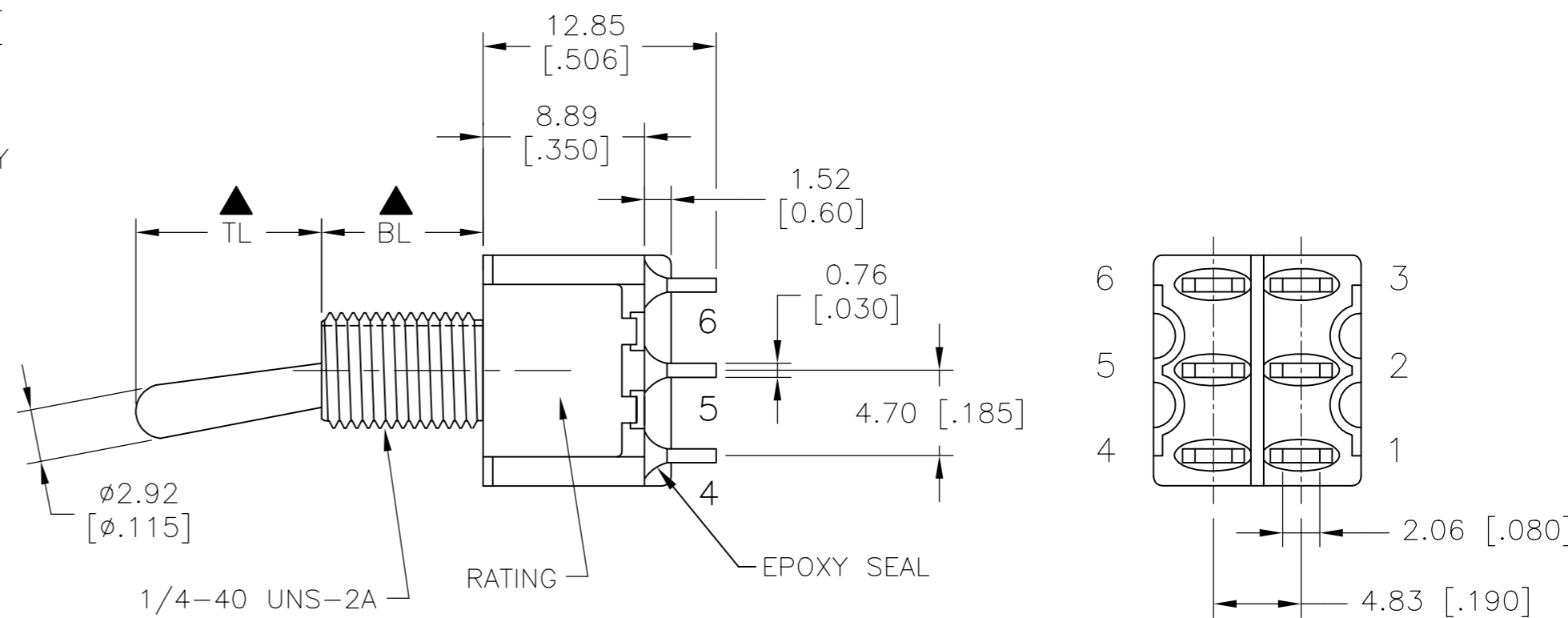
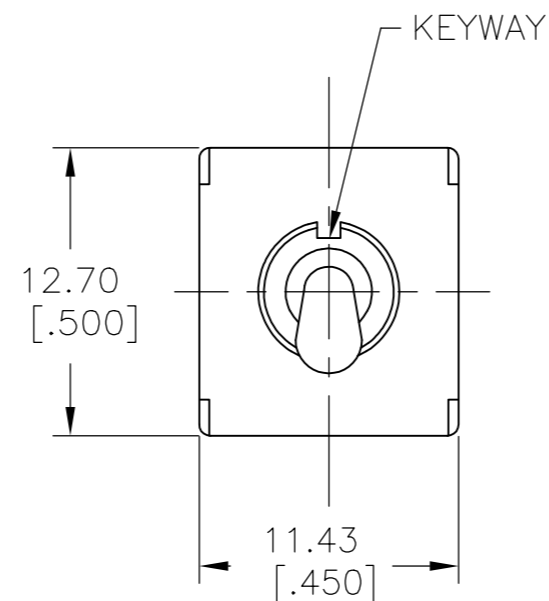


REVISIONS				
P	LTR	DESCRIPTION	DATE	APVD
-	-	SEE SHEET 1	-	-

DPDT

T THREADED W/HARDWARE

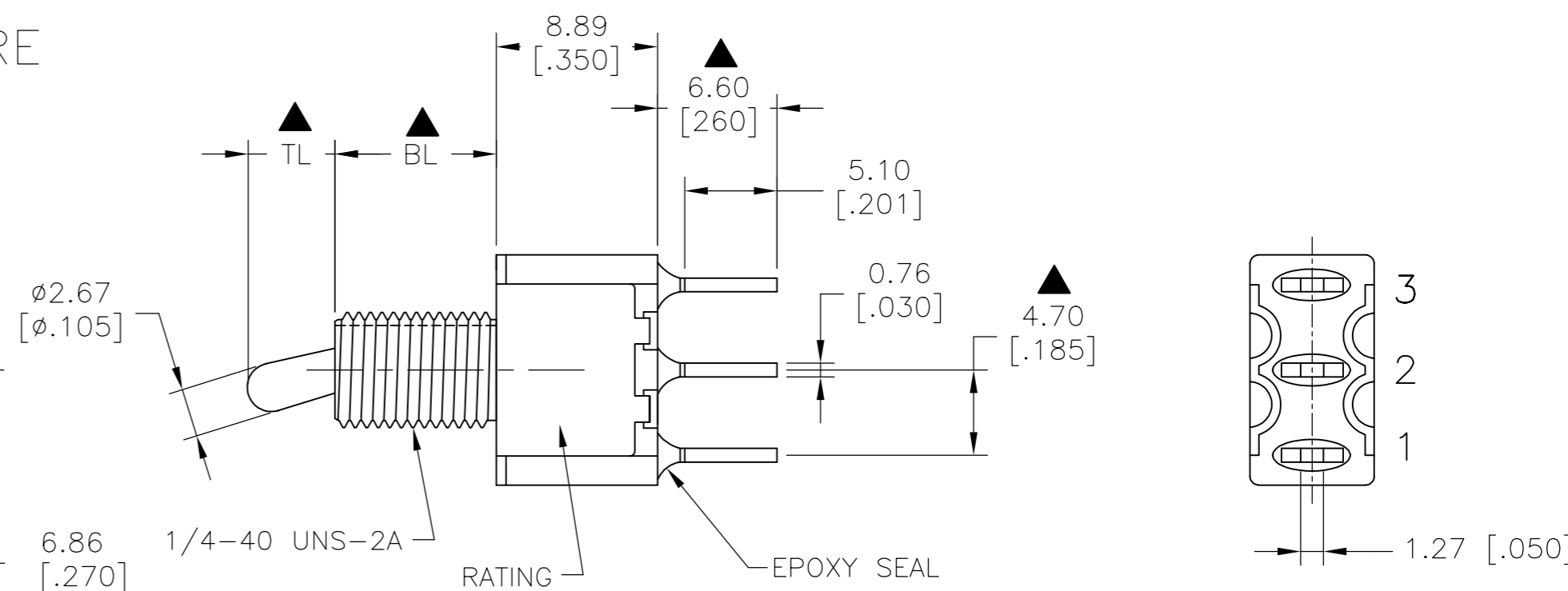
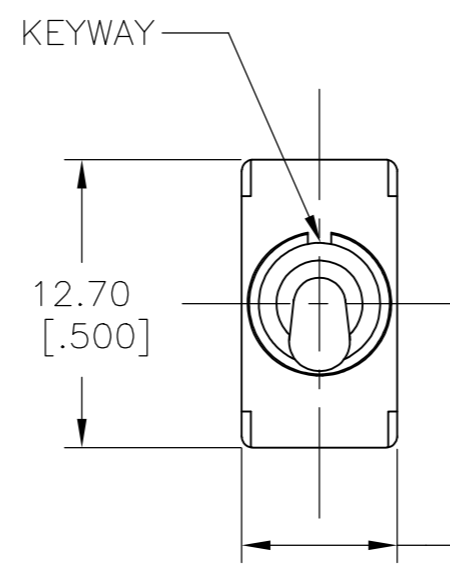
BUSH LENGTH BL	BUSHING TYPE	TOGGLE TYPE	TOGGLE LENGTH (TL)	TE PN
8.89 [.350]	B4	T4	10.41 [.410]	2532788-7



SPDT

T THREADED W/HARDWARE

BUSH LENGTH BL	BUSHING TYPE	TOGGLE TYPE	TOGGLE LENGTH (TL)	TE PN
8.89 [.350]	B4	T1	5.08 [.200]	2532788-1
8.89 [.350]	B4	T1	5.08 [.200]	2532788-3
8.89 [.350]	B4	T3	6.86 [.270]	2532788-5



NOTE:

- BUSHING TYPE :THREADED W/HARDWARE
- BL = BUSHING LENGTH (REFER ABOVE TABLE)
- TL = TOGGLE LENGTH (REFER ABOVE TABLE)
- FOR SOLDER LUG, PANEL CUT-OUTS AND PC MOUNTING DETAILS SEE SHEET 5
- FOR TOGGLE, BUSHING TYPE DETAILS SEE SHEET 7 AND 8
- ▲ INDICATES CRITICAL DIMENSION

THIS DRAWING IS A CONTROLLED DOCUMENT.

DIMENSIONS: mm [INCHES]	TOLERANCES UNLESS OTHERWISE SPECIFIED:
	0 PLC ± -
	1 PLC ± 0.40mm
	2 PLC ± 0.25mm
	3 PLC ± -
	4 PLC ± -
	ANGLES ± -
MATERIAL	FINISH
-	-

DWN MAHESH B ATTIMARAD 10DEC2025	CHK HEMLATA KAMBLE 10DEC2025	APVD HEMLATA KAMBLE 10DEC2025
NAME DELTA MINIATURE TOGGLES SERIES		
PRODUCT SPEC		
APPLICATION SPEC		
WEIGHT		
CUSTOMER DRAWING		

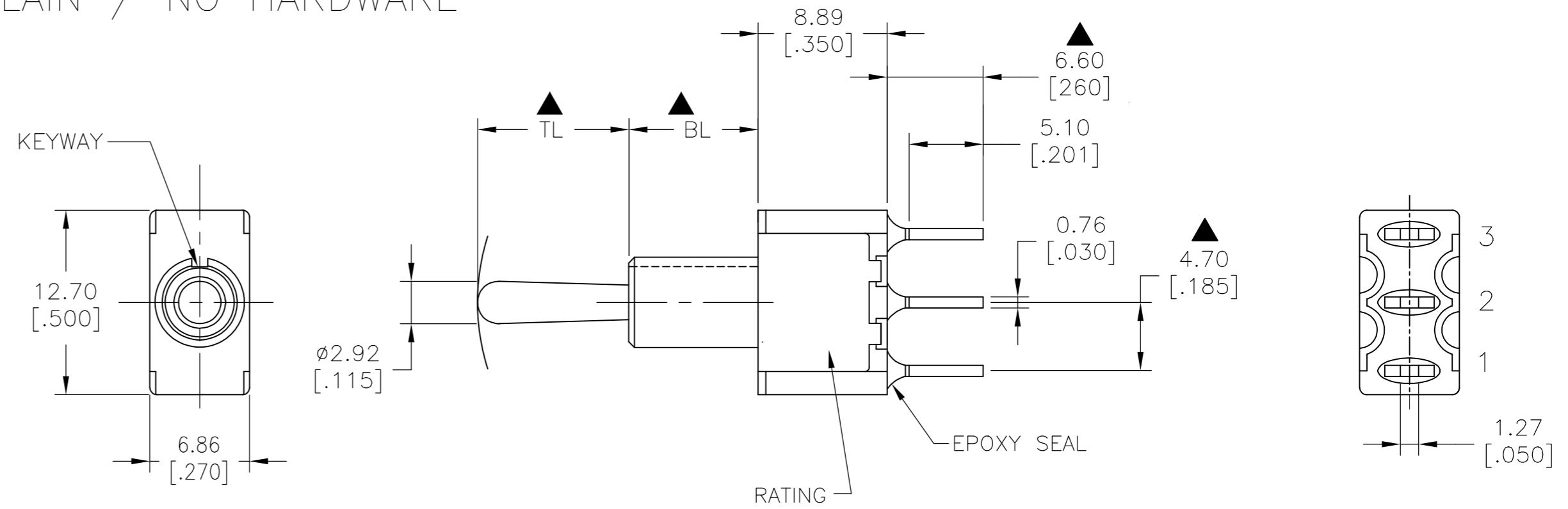
TE TE Connectivity Ltd.	
SIZE A2	CAGE CODE 00779
DRAWING NO C=2532788	RESTRICTED TO
SCALE NTS	SHEET 3 of 9
REV A	

REVISIONS					
P	LTR	DESCRIPTION	DATE	DWN	APVD
-	-	SEE SHEET 1	-	-	-

SPDT

P PLAIN / NO HARDWARE

BUSH LENGTH BL	BUSHING TYPE	TOGGLE TYPE	TOGGLE LENGTH (TL)	TE PN
8.89 [.350]	B4	T4	.410 [10.41]	2532788-6

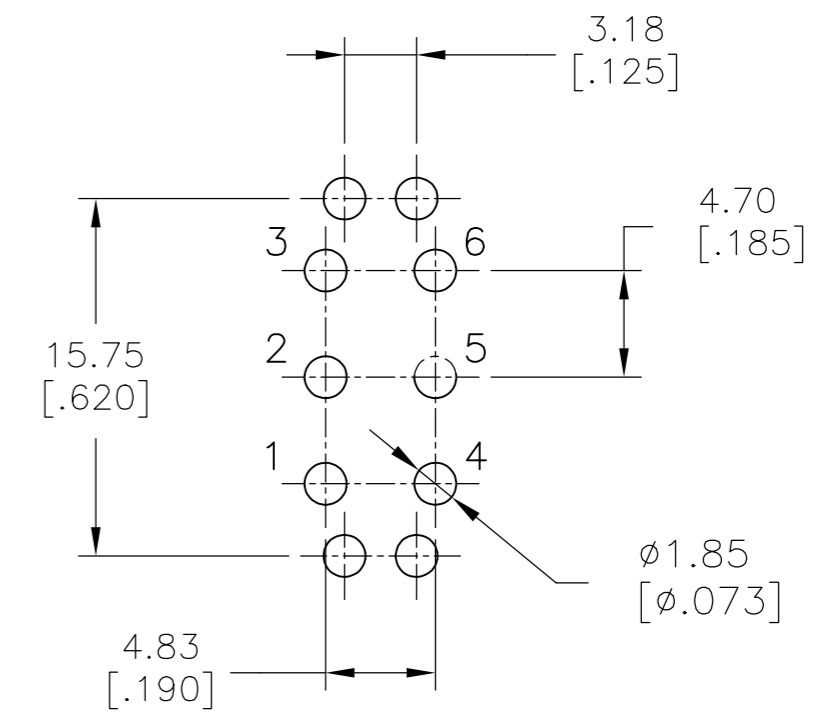
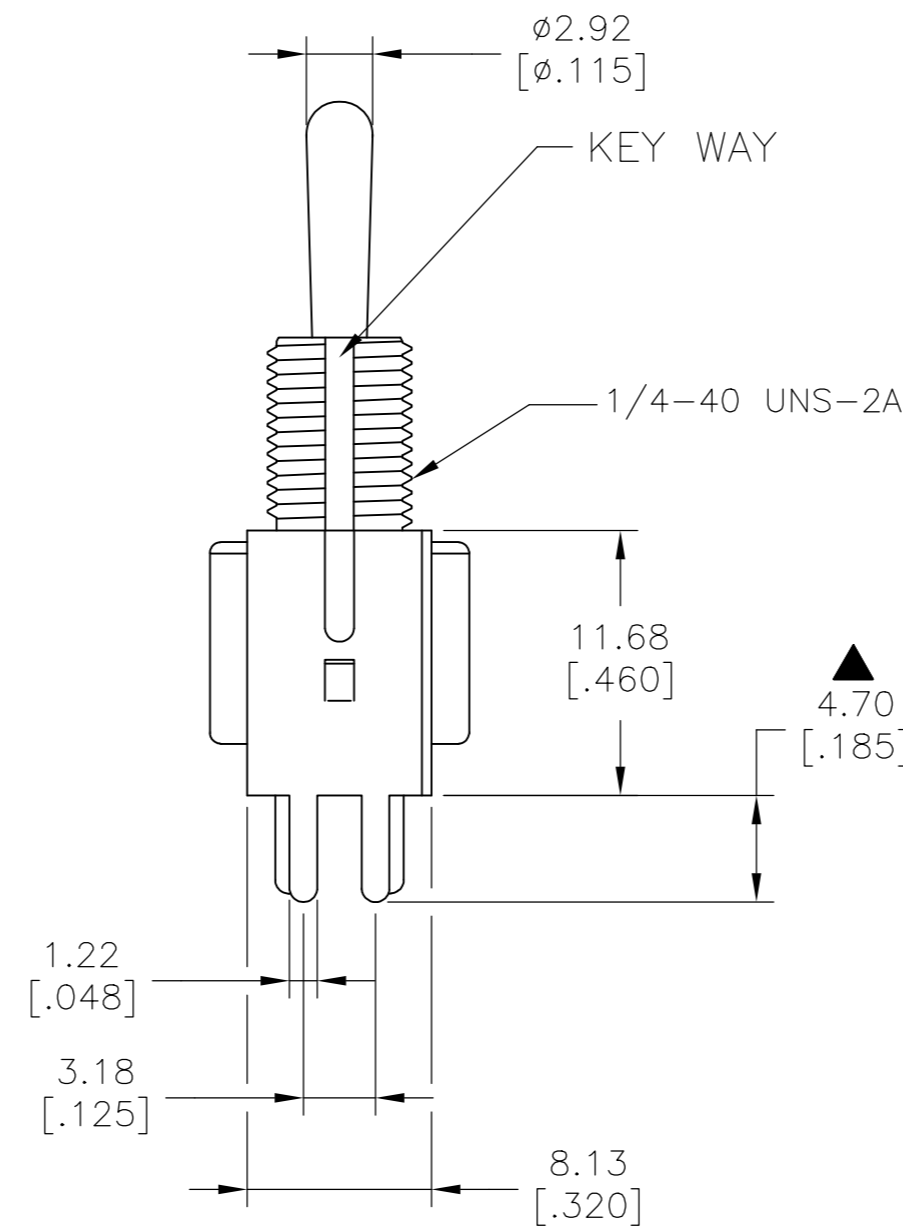
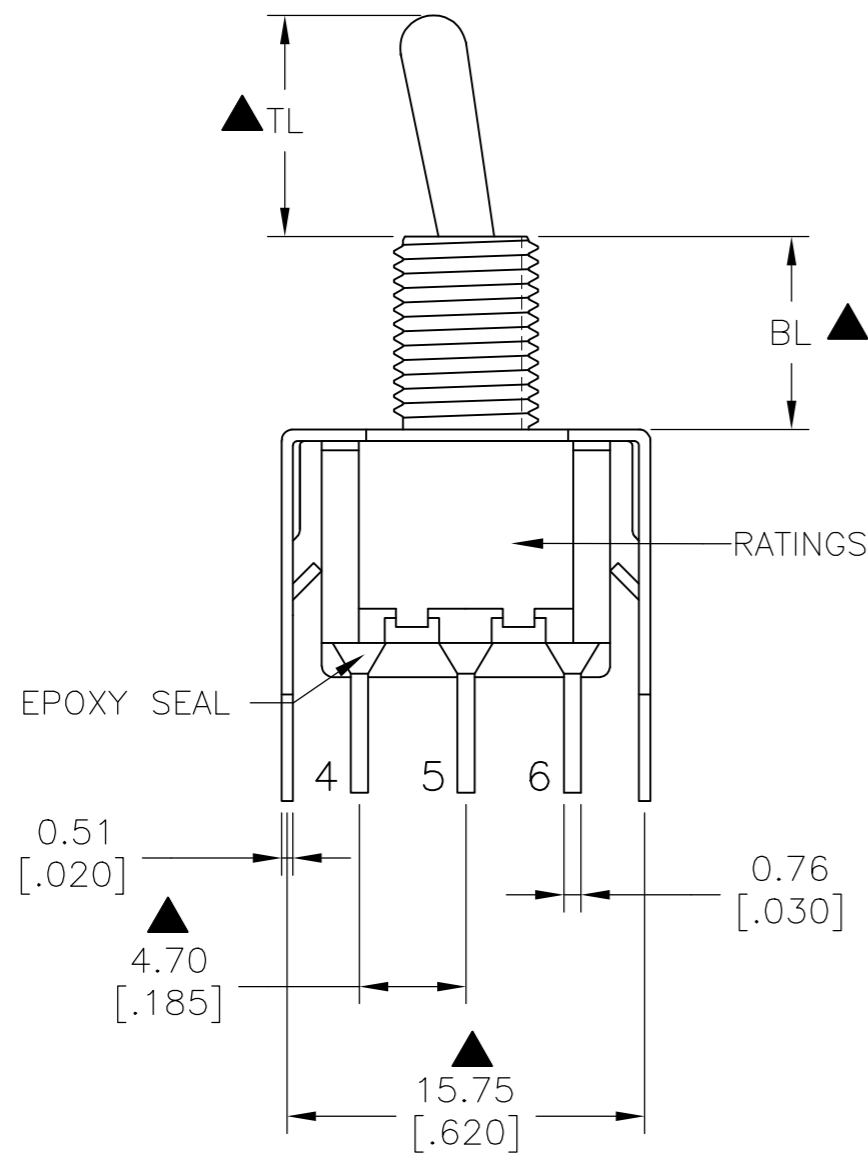


DPDT

T THREADED W/HARDWARE

VERTICAL SUPPORT BRACKET

BUSH LENGTH BL	BUSHING TYPE	TOGGLE TYPE	TOGGLE LENGTH (TL)	TE PN
8.50 [.335]	B3	T4	10.41 [.410]	1-2532788-0



P.C. MOUNTING

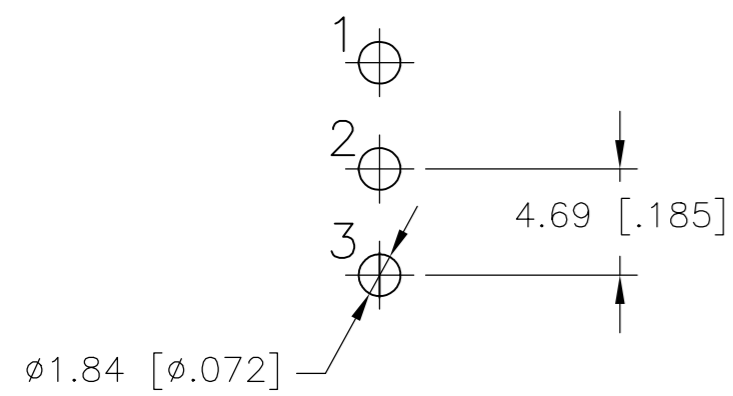
NOTE:

1. BUSHING TYPE :THREADED W/HARDWARE
2. BL = BUSHING LENGTH (REFER ABOVE TABLE)
3. TL = TOGGLE LENGTH (REFER ABOVE TABLE)
4. FOR SOLDER LUG, PANEL CUT-OUTS AND PC MOUNTING DETAILS SEE SHEET 5
5. FOR TOGGLE, BUSHING TYPE DETAILS SEE SHEET 7 AND 8
6. ▲ INDICATES CRITICAL DIMENSION

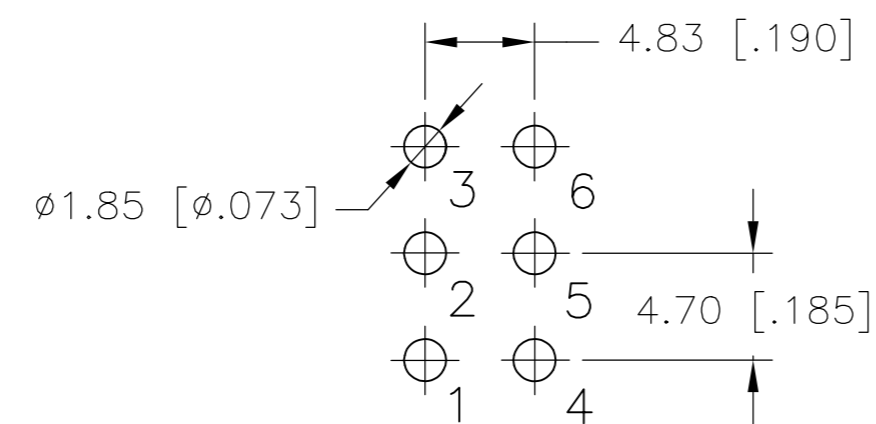
THIS DRAWING IS A CONTROLLED DOCUMENT.		DWN MAHESH B ATTIMARAD 10DEC2025	TE Connectivity Ltd.	
DIMENSIONS: mm [INCHES]		CHK HEMLATA KAMBLE 10DEC2025	NAME DELTA MINIATURE TOGGLES SERIES	
TOLERANCES UNLESS OTHERWISE SPECIFIED:		APVD HEMLATA KAMBLE 10DEC2025	PRODUCT SPEC	
0 PLC ± -		APPLICATION SPEC		
1 PLC ± 0.40mm		WEIGHT		
2 PLC ± 0.25mm		SCALE NTS		
3 PLC ± -		SHEET 4 of 9		
4 PLC ± -		REV A		
ANGLES ± -		CUSTOMER DRAWING		
FINISH		SIZE A2 CAGE CODE 00779 C=2532788		
MATERIAL		RESTRICTED TO		

REVISIONS				
P	LTR	DESCRIPTION	DATE	APVD
-	-	SEE SHEET 1	-	-

P.C. MOUNTING SPDT



P.C. MOUNTING DPDT



SOLDER LUG



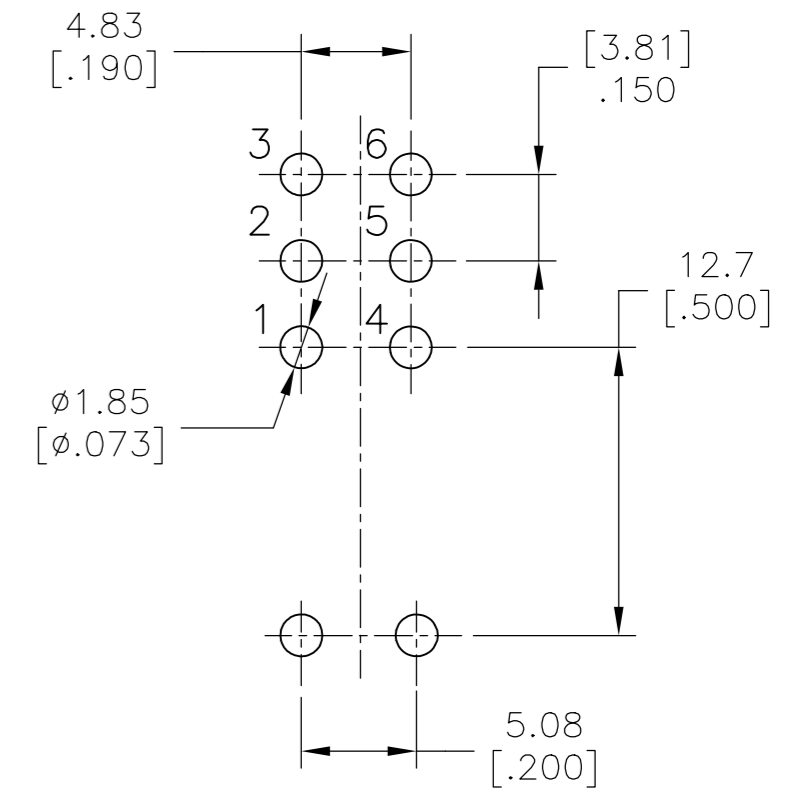
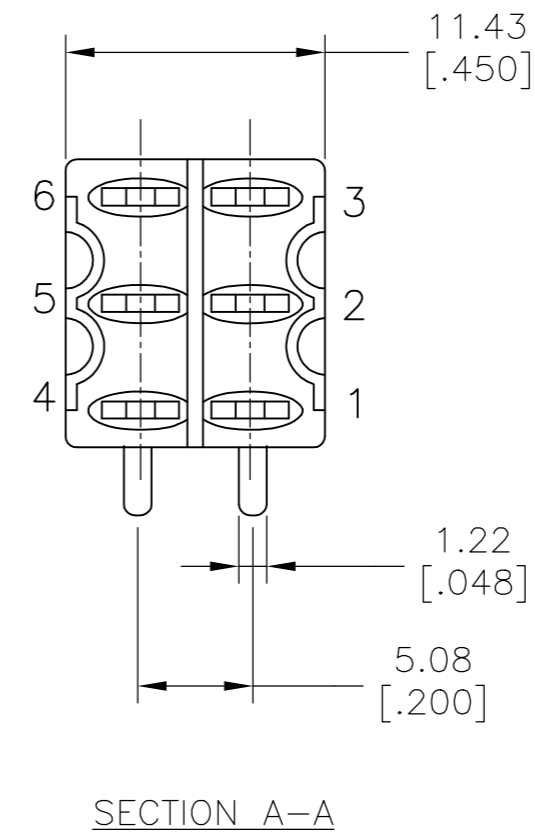
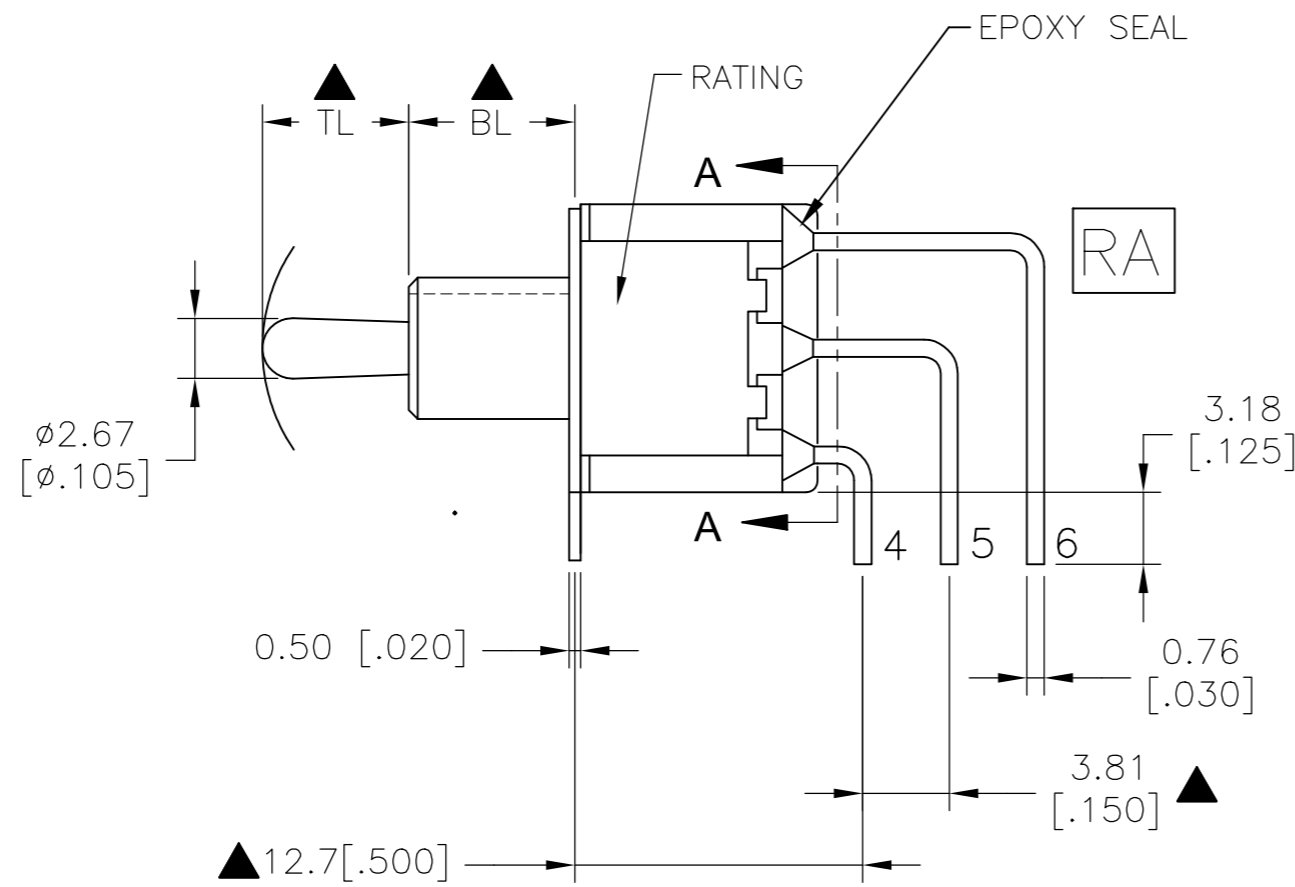
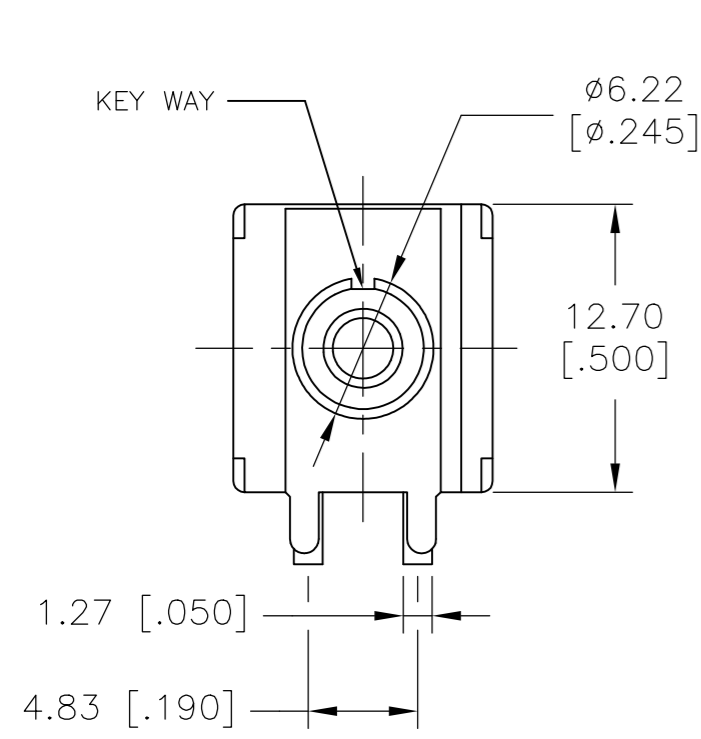
RECOMMENDED PANEL CUT-OUTS		
BUSHING SIZE	WITHOUT LOCKING RING	WITH STANDARD LOCKING RING
1/4	<p>2532788-5 2532788-7 2532788-8 2532788-9 1-2532788-0 1-2532788-1 1-2532788-2</p>	<p>2532788-7 2532788-8 2532788-9 1-2532788-0 1-2532788-1</p>

THIS DRAWING IS A CONTROLLED DOCUMENT.		DWN MAHESH B ATTIMARAD 10DEC2025	TE Connectivity Ltd.																			
DIMENSIONS: mm [INCHES]		CHK HEMLATA KAMBLE 10DEC2025			NAME DELTA MINIATURE TOGGLES SERIES																	
TOLERANCES UNLESS OTHERWISE SPECIFIED:		APVD HEMLATA KAMBLE 10DEC2025	PRODUCT SPEC	RESTRICTED TO																		
<table border="0"> <tr><td>0 PLC</td><td>±</td><td>-</td></tr> <tr><td>1 PLC</td><td>±</td><td>0.40mm</td></tr> <tr><td>2 PLC</td><td>±</td><td>0.25mm</td></tr> <tr><td>3 PLC</td><td>±</td><td>-</td></tr> <tr><td>4 PLC</td><td>±</td><td>-</td></tr> <tr><td>ANGLES</td><td>±</td><td>-</td></tr> </table>		0 PLC	±	-	1 PLC	±	0.40mm	2 PLC	±	0.25mm	3 PLC	±	-	4 PLC	±	-	ANGLES	±	-	APPLICATION SPEC	SCALE	SHEET
0 PLC	±	-																				
1 PLC	±	0.40mm																				
2 PLC	±	0.25mm																				
3 PLC	±	-																				
4 PLC	±	-																				
ANGLES	±	-																				
MATERIAL	FINISH	WEIGHT	A2 00779 C=2532788	5 of 9																		
CUSTOMER DRAWING		SCALE	NTS	REV A																		

BUSH LENGTH (BL)	TOGGLE LENGTH (TL)	BUSHING TYPE	TOGGLE TYPE	TE PN
7.31 [.288]	6.46 [.254]	B2	T2	1-2532788-2

RA REPRESENTS RIGHT ANGLE

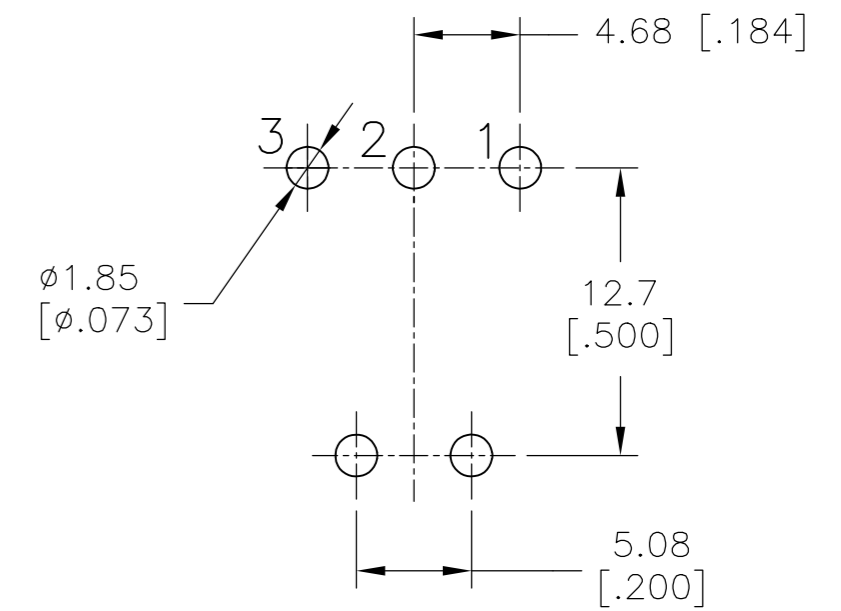
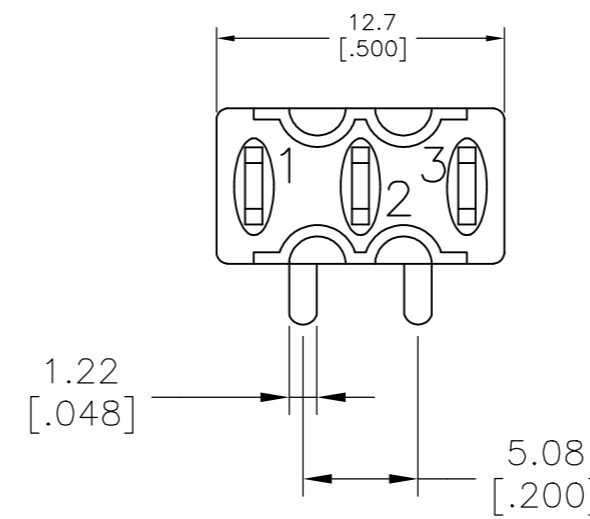
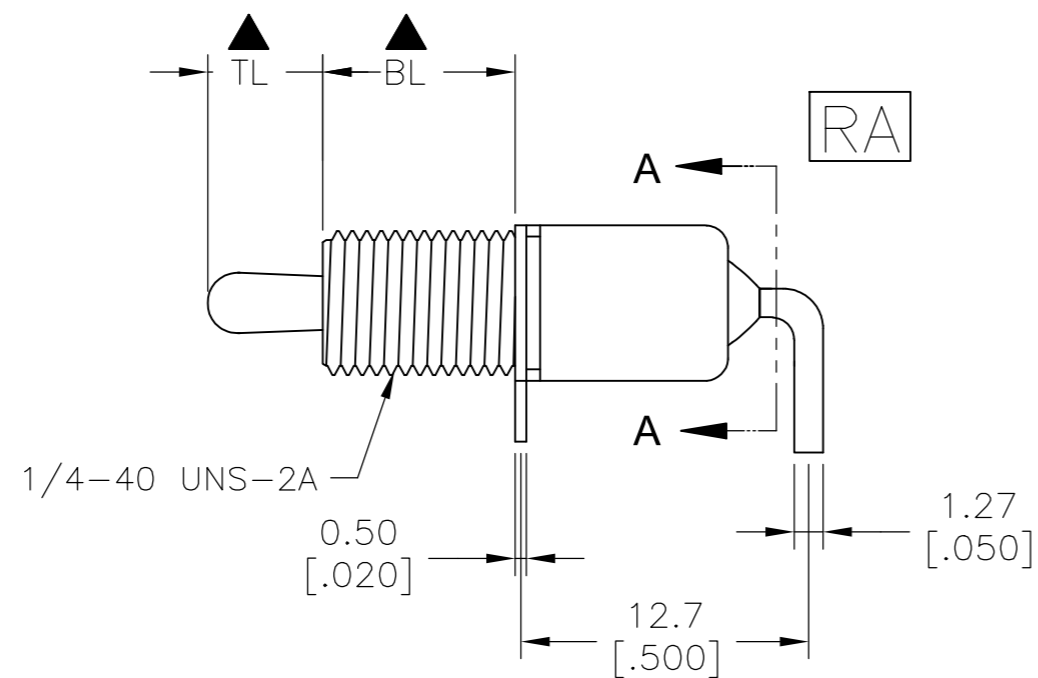
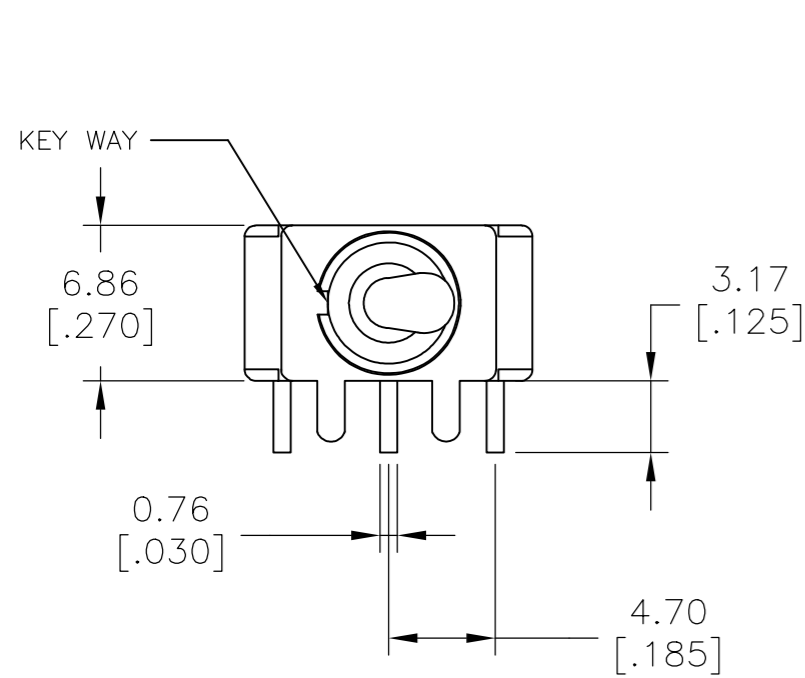
REVISIONS					
P	LTR	DESCRIPTION	DATE	DWN	APVD
-	-	SEE SHEET 1	-	-	-



P.C. MOUNTING

BUSH LENGTH (BL)	TOGGLE LENGTH (TL)	BUSHING TYPE	TOGGLE TYPE	TE PN
8.50 [.335]	5.08 [.200]	B3	T1	2532788-2
7.31 [.288]	6.46 [.254]	B2	T2	2532788-4

RA REPRESENTS RIGHT ANGLE



P.C. MOUNTING

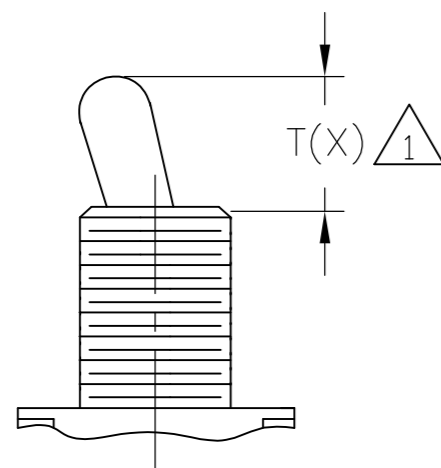
NOTE:

- BUSHING TYPE :THREADED W/HARDWARE
- BL = BUSHING LENGTH (REFER ABOVE TABLE)
- TL = TOGGLE LENGTH (REFER ABOVE TABLE)
- FOR SOLDER LUG, PANEL CUT-OUTS AND PC MOUNTING DETAILS SEE SHEET 5
- FOR TOGGLE, BUSHING TYPE DETAILS SEE SHEET 7 AND 8
- ▲ INDICATES CRITICAL DIMENSION

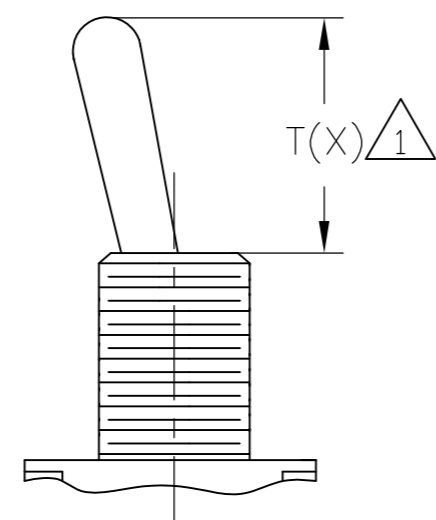
THIS DRAWING IS A CONTROLLED DOCUMENT.		DWN 10DEC2025 MAHESH B ATTIMARAD	TE Connectivity Ltd.	
DIMENSIONS: mm [INCHES]		CHK 10DEC2025 HEMLATA KAMBLE		
TOLERANCES UNLESS OTHERWISE SPECIFIED:		APVD 10DEC2025 HEMLATA KAMBLE	NAME DELTA MINIATURE TOGGLES SERIES	
0 PLC ± - 1 PLC ± 0.40mm 2 PLC ± 0.25mm 3 PLC ± - 4 PLC ± - ANGLES ± -		PRODUCT SPEC	SIZE CAGE CODE DRAWING NO RESTRICTED TO	
MATERIAL		APPLICATION SPEC	A2 00779 C=2532788	
FINISH		WEIGHT	SCALE NTS SHEET 6 of 9 REV A	
		CUSTOMER DRAWING		

TOGGLES

REVISIONS					
P	LTR	DESCRIPTION	DATE	DWN	APVD
-	-	SEE SHEET 1	-	-	-

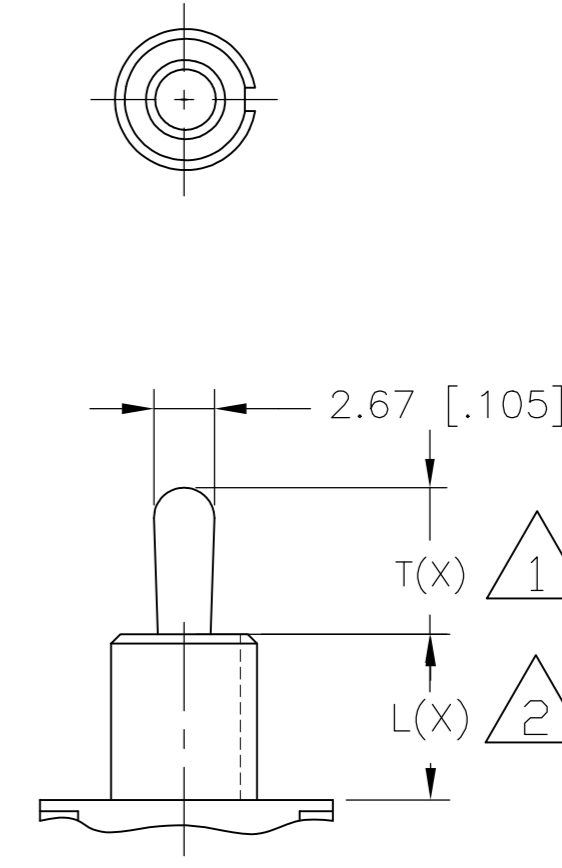
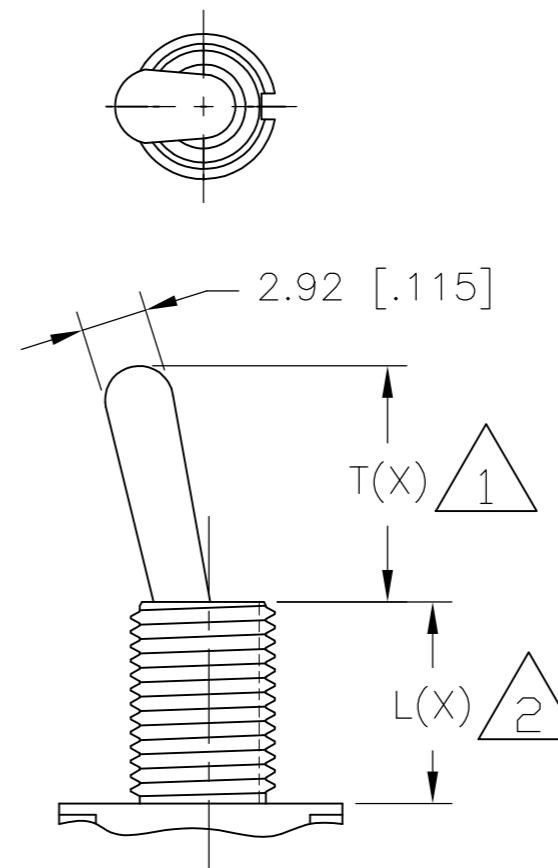


M SHORT



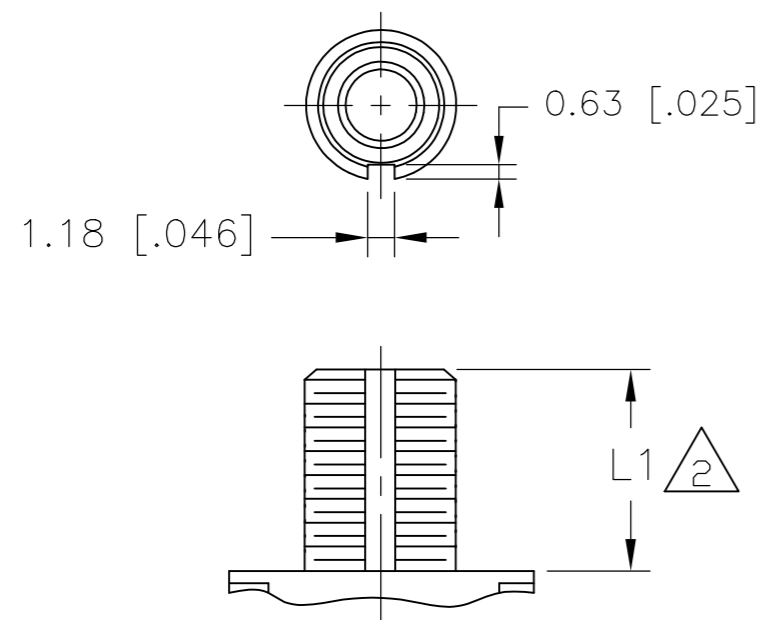
S STANDARD

ACTUATOR/TOGGLE STYLE	DIM 'T(X)'
T1 TOGGLE	5.08 [.200]
T2 TOGGLE	6.46 [.254]
T3 TOGGLE	6.86 [.270]
T4 TOGGLE	10.41 [.410]

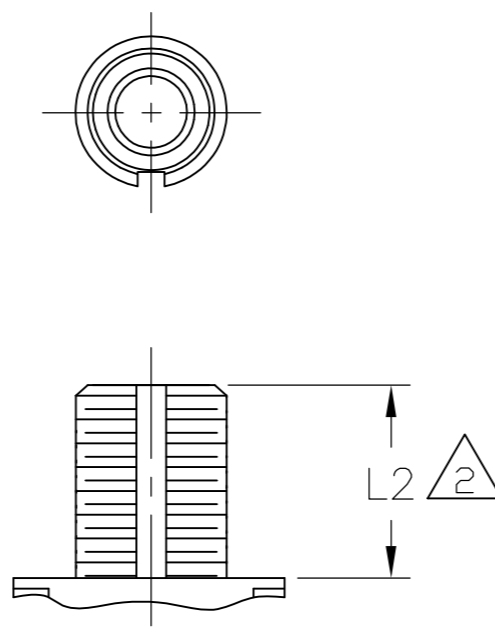


△1 T(X) represent Toggle length of each body i,e T1,T2,T3,T4
 △2 L(X) represent Bush length of each body i,e L1,L2,L3,L4

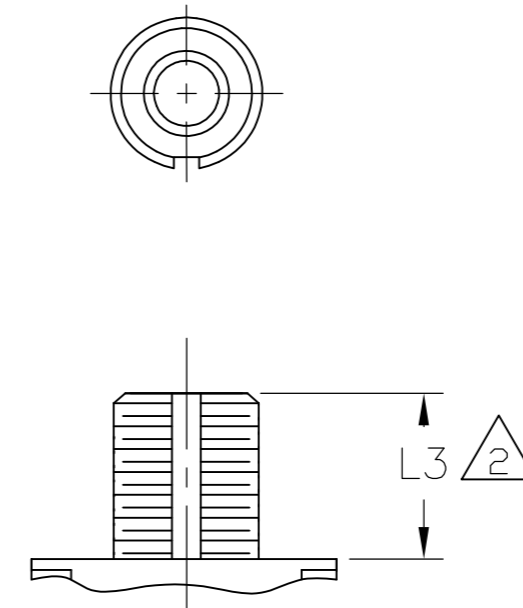
BUSHINGS



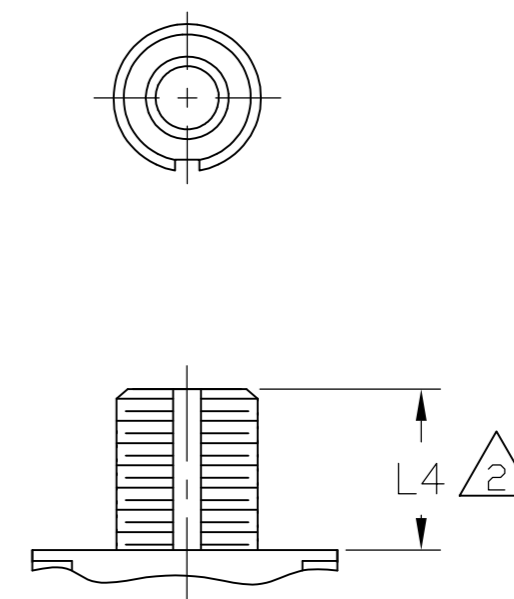
- T** Threaded / Hardware
- P** Plain / No Hardware



- T** Threaded / Hardware
- P** Plain / No Hardware



- T** Threaded / Hardware
- P** Plain / No Hardware



- T** Threaded / Hardware
- P** Plain / No Hardware

THIS DRAWING IS A CONTROLLED DOCUMENT.		DWN MAHESH B ATTIMARAD 10DEC2025	TE Connectivity Ltd.	
DIMENSIONS: mm [INCHES]		CHK HEMLATA KAMBLE 10DEC2025		
TOLERANCES UNLESS OTHERWISE SPECIFIED:		APVD HEMLATA KAMBLE 10DEC2025	PRODUCT SPEC	SIZE A2
0 PLC ± - 1 PLC ± 0.40mm 2 PLC ± 0.25mm 3 PLC ± - 4 PLC ± - ANGLES ± -		APPLICATION SPEC	CAGE CODE 00779	DRAWING NO C=2532788
MATERIAL		FINISH	WEIGHT	RESTRICTED TO
			CUSTOMER DRAWING	SCALE NTS SHEET 7 of 9 REV A

REVISIONS

P	LTR	DESCRIPTION	DATE	DWN	APVD
-	-	SEE SHEET 1	-	-	-

NOMENCLATURE

BUSHING LENGTH	TOGGLE TYPE	BUSHING TYPE	CONTACT MATERIAL	FUNCTION	Hardware Status	HARDWARE	TERMINATION	MOUNT ANGLE	POLE/THROW	UL/CAS Model	TE PN
8.89 [.350]	T1	Threaded	Gold	ON NONE ON	W/Hardware	YES	PC THROUGH HOLE	VERTICAL	SPDT	Q1111M2	2532788-1
8.50 [.335]	T1	Threaded	Silver	ON NONE ON	W/Hardware	YES	PC THROUGH HOLE	RIGHT ANGLE	SPDT	Q1111M6	2532788-2
8.89 [.350]	T1	Threaded	Silver	ON NONE ON	W/Hardware	YES	PC THROUGH HOLE	VERTICAL	SPDT	Q1111M6	2532788-3
7.31 [.288]	T2	Threaded	Silver	ON NONE ON	W/Hardware	YES	PC THROUGH HOLE	RIGHT ANGLE	SPDT	Q1111M6	2532788-4
7.10 [.280]	T3	Threaded	Gold	ON OFF ON	W/Hardware	YES	PC THROUGH HOLE	VERTICAL	SPDT	Q1113M2	2532788-5
8.89 [.350]	T4	Plain	Gold	ON OFF ON	None hardware	NA	PC THROUGH HOLE	VERTICAL	SPDT	Q1113M2	2532788-6
8.89 [.350]	T4	Threaded	Silver	ON NONE ON	W/Hardware	YES	PC THROUGH HOLE	VERTICAL	DPDT	Q1121M1	2532788-7
8.89 [.350]	T4	Threaded	Gold	ON NONE ON	W/Hardware	YES	PC THROUGH HOLE	VERTICAL	DPDT	Q1121M2	2532788-8
8.89 [.350]	T4	Threaded	Silver	ON NONE ON	W/Hardware	YES	PC THROUGH HOLE	VERTICAL	DPDT	Q1121M2	2532788-9
8.50 [.335]	T4	Threaded	Silver	ON NONE ON	W/Hardware	YES	PC THROUGH HOLE	VERTICAL	DPDT	Q1121M1	1-2532788-0
8.89 [.350]	T4	Threaded	Silver	ON OFF ON	W/Hardware	YES	PC THROUGH HOLE	VERTICAL	DPDT	Q1123M2	1-2532788-1
7.31 [.288]	T2	Plain	Gold	ON ON ON	None hardware	NA	PC THROUGH HOLE	RIGHT ANGLE	DP3T	Q1126M7	1-2532788-2


D

C

B

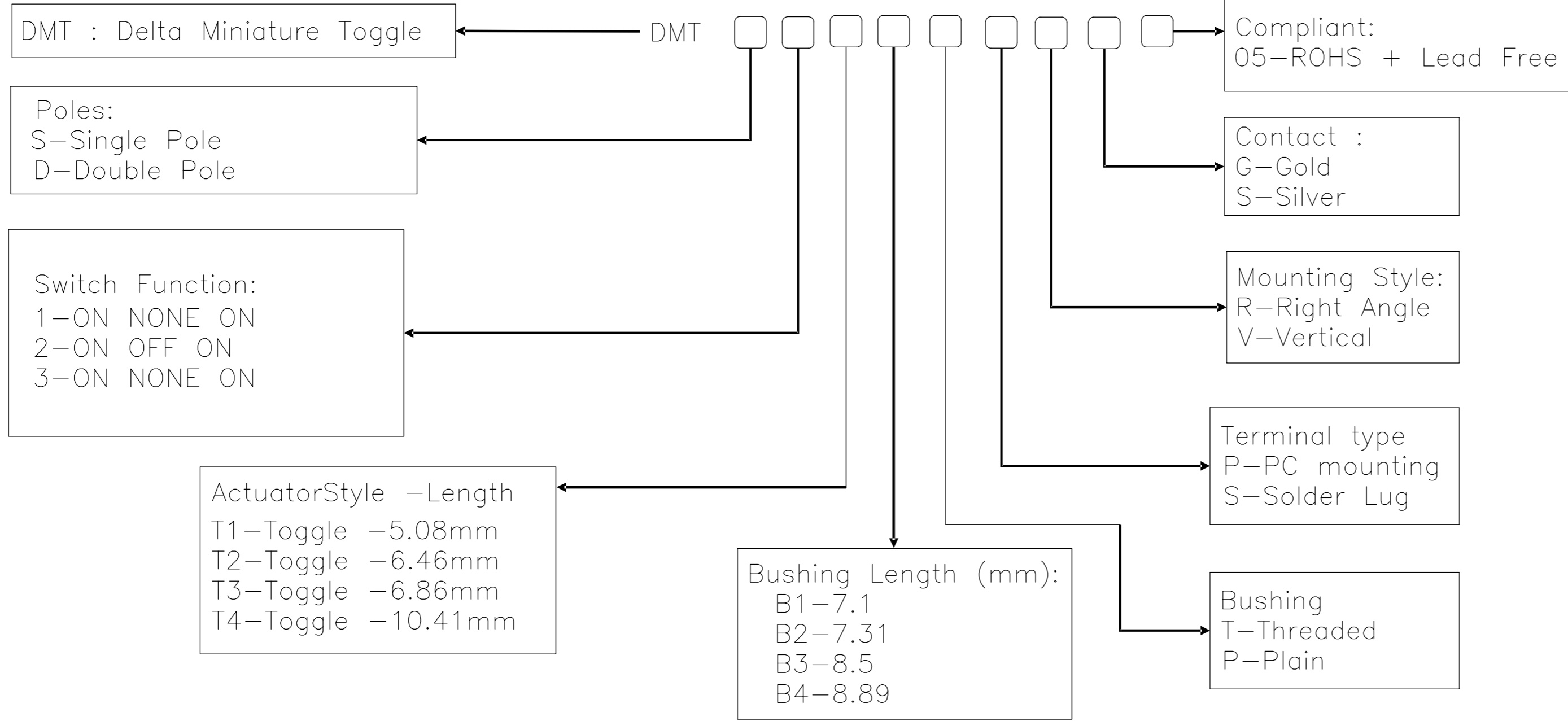
A

2532788

THIS DRAWING IS A CONTROLLED DOCUMENT.		DWN MAHESH B ATTIMARAD 10DEC2025	 TE Connectivity Ltd.	
DIMENSIONS: mm [INCHES]		CHK HEMLATA KAMBLE 10DEC2025		
TOLERANCES UNLESS OTHERWISE SPECIFIED:		APVD HEMLATA KAMBLE 10DEC2025	NAME DELTA MINIATURE TOGGLES SERIES	
0 PLC ± - 1 PLC ± 0.40mm 2 PLC ± 0.25mm 3 PLC ± - 4 PLC ± - ANGLES ± -		PRODUCT SPEC -	RESTRICTED TO -	
MATERIAL -		FINISH -	WEIGHT -	SIZE A2
		CUSTOMER DRAWING	CAGE CODE 00779	DRAWING NO C=2532788
		SCALE NTS	SHEET 8 of 9	REV A

Delta Miniature Toggles Series

REVISIONS				
P	LTR	DESCRIPTION	DATE	APVD
-	-	SEE SHEET 1	-	-



TE SMART PART NO	PART DESCRIPTION	TE PN
DMTS1T1B4TPVG05	DMT 0.4VA SPDT ON NONE ON T V G	2532788-1
DMTS1T1B3TPRS05	DMT 5A SPDT ON NONE ON T R S	2532788-2
DMTS1T1B4TPVS05	DMT 5A SPDT ON NONE ON T V S	2532788-3
DMTS1T2B2TPRS05	DMT 5A SPDT (ON NONE ON) T R S	2532788-4
DMTS2T3B1TPVG05	DMT 0.4VA SPDT ON OFF ON T V G	2532788-5
DMTS2T4B4PPVG05	DMT 0.4VA SPDT ON OFF ON P V G	2532788-6
DMTD1T4B4TSVS05	DMT 5A DPDT ON NONE ON T V S	2532788-7
DMTD1T4B4TPVG05	DMT 0.4VA DPDT ON NONE ON T V G	2532788-8
DMTD1T4B4TPVS05	DMT 5A DPDT ON NONE ON T V S	2532788-9
DMTD1T4B3TPVS05	DMT 5A DPDT (ON NONE ON) T V S	1-2532788-0
DMTD2T4B4TPVS05	DMT 5A DPDT ON OFF ON T V S	1-2532788-1
DMTD3T2B2PPRG05	DMT 0.4VA DP3T ON ON ON P R G	1-2532788-2

THIS DRAWING IS A CONTROLLED DOCUMENT.		DWN MAHESH B ATTIMARAD 10DEC2025	TE Connectivity Ltd.	
DIMENSIONS: mm [INCHES]		CHK HEMLATA KAMBLE 10DEC2025		
TOLERANCES UNLESS OTHERWISE SPECIFIED:		APVD HEMLATA KAMBLE 10DEC2025	NAME DELTA MINIATURE TOGGLES SERIES	
		PRODUCT SPEC -	SIZE A2	
MATERIAL -		FINISH -	CAGE CODE 00779	DRAWING NO C=2532788
		WEIGHT -	RESTRICTED TO -	
CUSTOMER DRAWING			SCALE NTS	SHEET 9 of 9
			REV A	