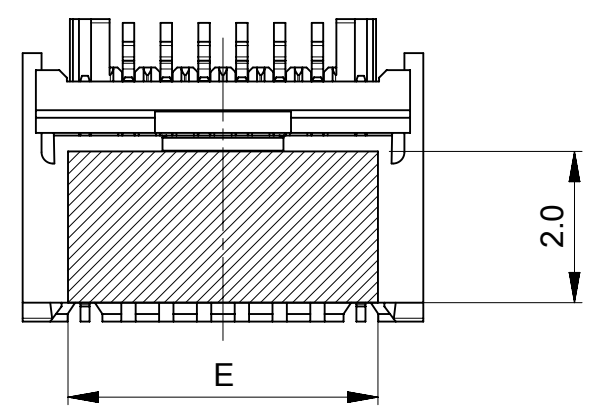
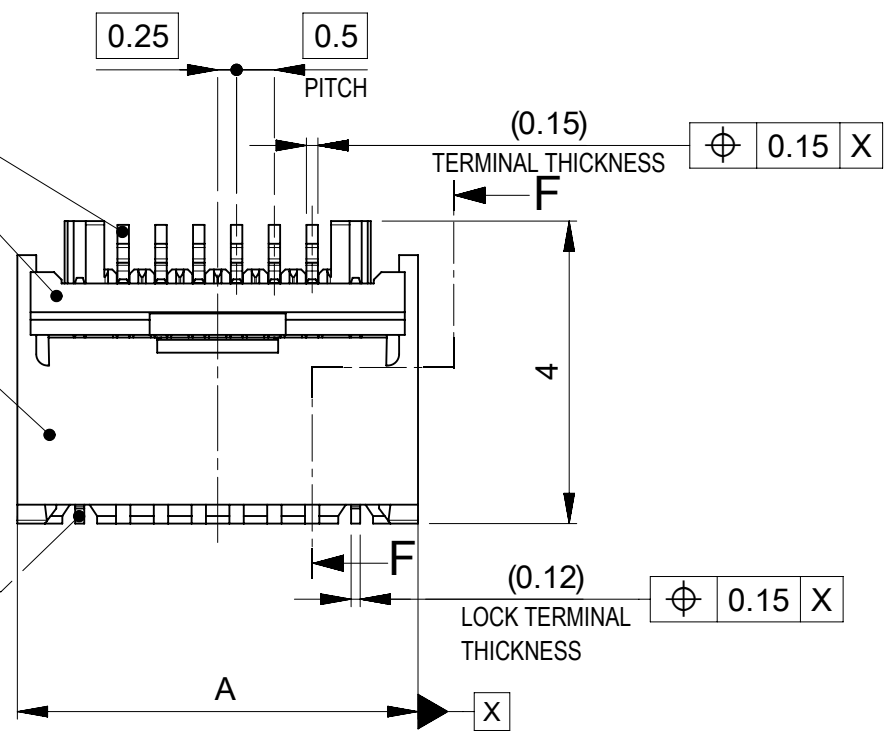
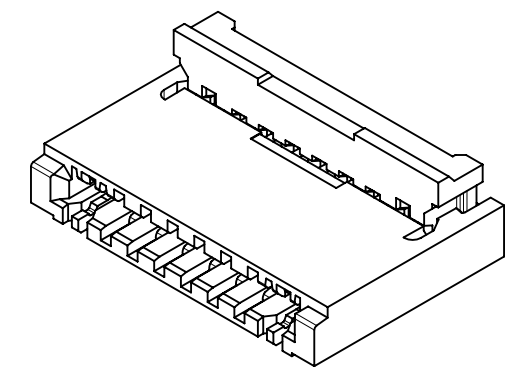


③ターミナル
TERMINAL
②アクチュエータ
ACTUATOR
①ハウジング
HOUSING
④ロックターミナル
LOCK TERMINAL

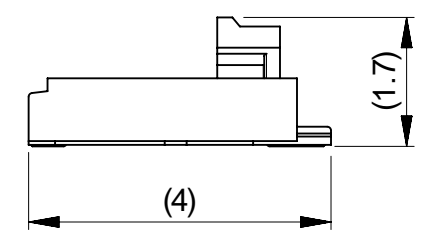
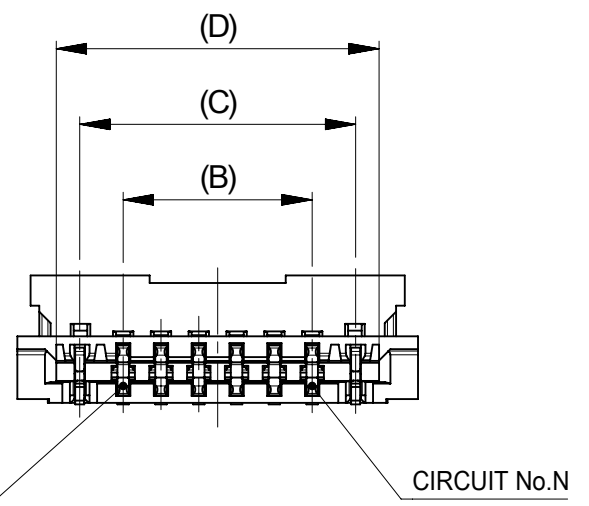


推奨吸着エリア
RECOMMENDED PICK UP AREA

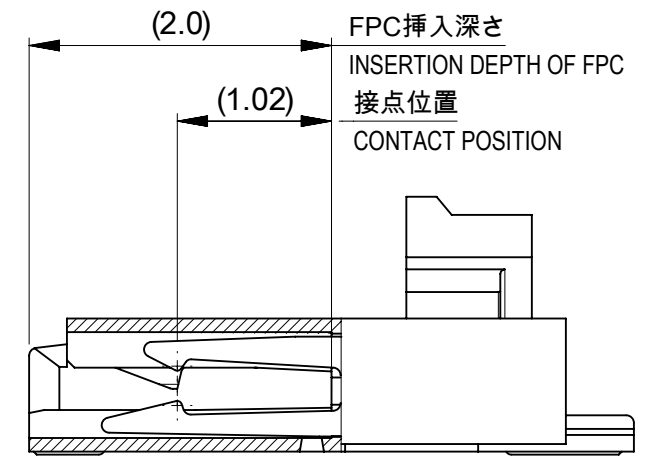


NOTES

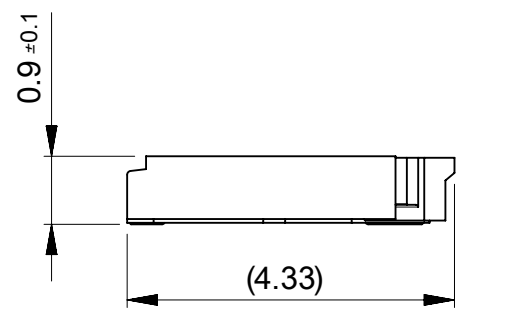
- 適合FPCの厚さは 0.2 ± 0.03 mmとする。(SHEET 2参照)
APPLICABLE FPC THICKNESS : 0.2 ± 0.03 mm. (SEE SHEET 2)
- テールの平坦度は0.1mm以下とする。
SOLDER TAIL COPLANARITY NOT TO BE EXCEED 0.1mm.



ACTUATOR OPEN CONDITION



SECTION F-F



ACTUATOR CLOSED CONDITION

No.	部品名 PART NAME	材質・仕上げ / MATERIAL・FINISH
①	ハウジング HOUSING	液晶ポリマー(LCP)、ガラス充填、UL94V-0、黒 LIQUID CRISTAL POLYMER, GLASS FILLED, UL94V-0 (BLACK)
②	アクチュエータ ACTUATOR	ポリアミド(PA)、ガラス充填、UL94HB、黒 POLYAMIDE, GLASS FILLED, UL94HB, (BLACK)
③	ターミナル TERMINAL	銅合金 COPPER ALLOY 接点部・テール部：金めっき、ニッケル下地めっき CONTACT・SOLDER TAIL : GOLD PLATING, NICKEL UNDER PLATING
④	ロックターミナル LOCK TERMINAL	銅合金 COPPER ALLOY テール部：金めっき、ニッケル下地めっき SOLDER TAIL : GOLD PLATING, NICKEL UNDER PLATING

— 32 —	14.2	18.1	18.27	17.65	16.5	19.3	2213780347	— 34 —
16	7.5	— 5.1 —	5.27	4.65	3.5	6.3	2213780087	— 8 —
		4.1	4.27	3.65	2.5	5.3	2213780067	6
テープ幅 TAPE WIDTH	F	E	D	C	B	A	EMBOSSED PACKAGE オーダー番号 ORDER No.	極数 CIRCUITS

THIS DRAWING CONTAINS INFORMATION THAT IS PROPRIETARY TO MOLEX ELECTRONIC TECHNOLOGIES, LLC AND SHOULD NOT BE USED WITHOUT WRITTEN PERMISSION

CURRENT REV DESC: RELEASED

molex

EASY-ON BT5P
0.5MM PITCH FPC CONNECTOR ZIF BACK FLIP H=0.9

PRODUCT CUSTOMER DRAWING

DOCUMENT NUMBER: 2213780001-SD
DOC TYPE: PSD
DOC PART: 000
REVISION: A

EC NO: 788090
DRWN: HTAGAMI
CHK'D: KONIYAMA
APPR: KSASAKI

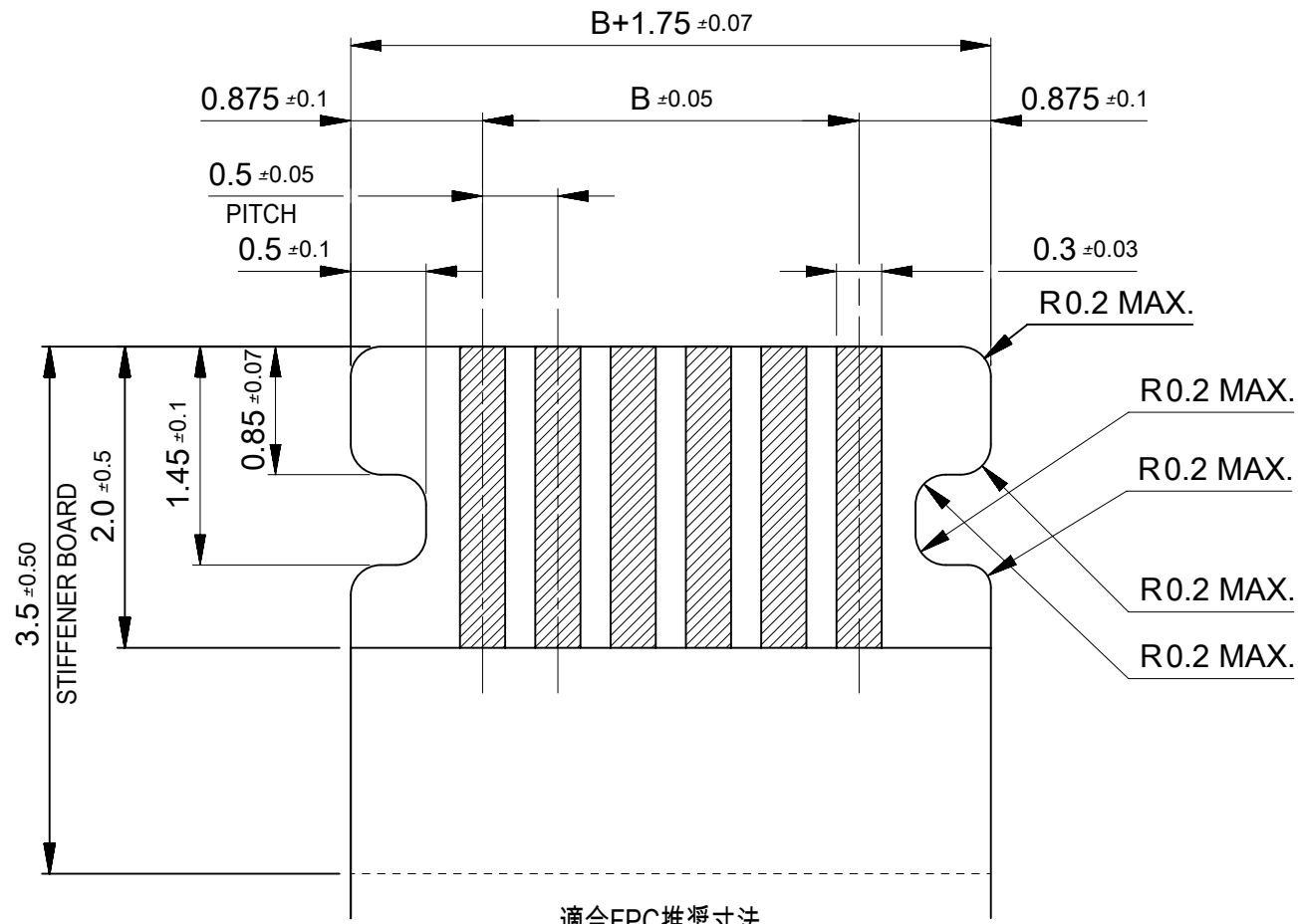
INITIAL REVISION:
DRWN: HTAGAMI
APPR: KSASAKI

DATE: 2024/06/03
DATE: 2024/06/04

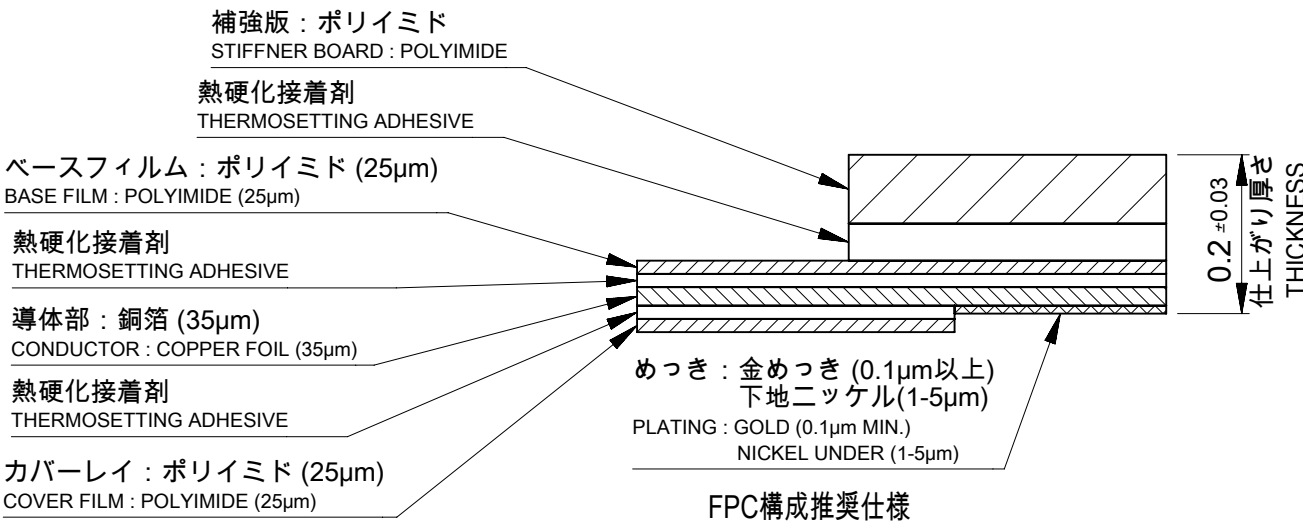
DRAFT WHERE APPLICABLE MUST REMAIN WITHIN DIMENSIONS

THIRD ANGLE PROJECTION

DRAWING: A3-SIZE
SERIES: 221378
MATERIAL NUMBER: SEE TABLE
CUSTOMER: GENERAL
SHEET NUMBER: 1 OF 3



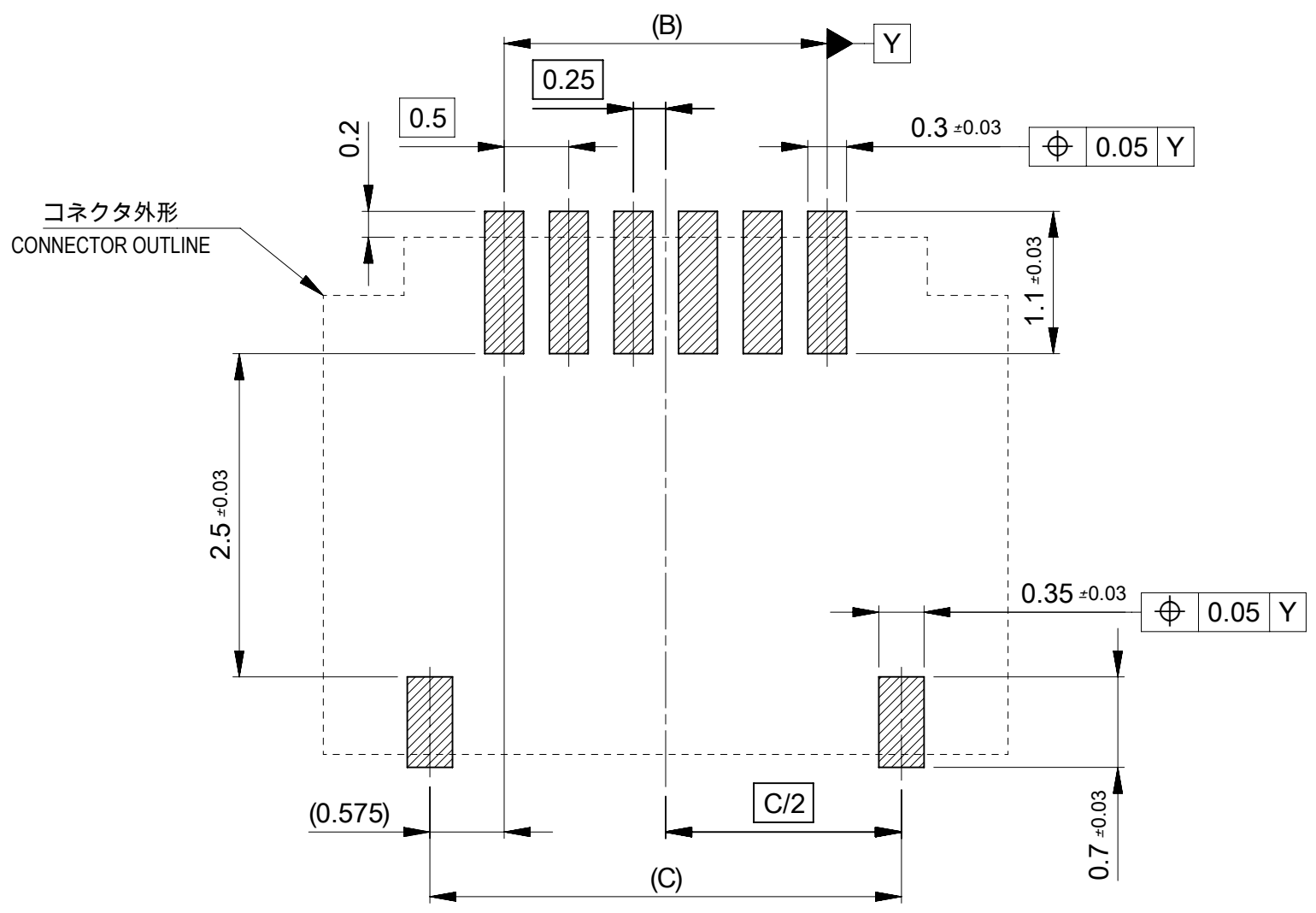
適合FPC推奨寸法
APPLICABLE FPC RECOMMEND DIMENSION



FPC構成推奨仕様
STRUCTURE FPC

FPCについて ABOUT FPC

- 打ち抜き方向は導体側から補強版側を推奨します。
導体部については軟銅箔35µmを推奨します。
RECOMMENDED PUNCHING DIRECTION: FROM CONDUCTOR SIDE TO STIFFENER SIDE
RECOMMENDED CONDUCTOR SPEC: SOFT COPPER FOIL
RECOMMENDED CONDUCTOR THICKNESS: 35 MICROMETER
- 補強フィルム材質はポリイミドを推奨します。ベースフィルムは25µmを推奨します。
接着剤は熱硬化接着剤を推奨します。
尚、接着剤の接点部への付着は導通不良の原因になりますので、染み出しが無い様お願いいたします。
RECOMMENDED STIFFENER MATERIAL: POLYIMIDE
RECOMMENDED BASE FILM THICKNESS: 25 MICROMETER
RECOMMENDED ADHESIVE: THERMOSETTING ADHESIVE
PLEASE PUT APPROPRIATE AMOUNT OF ADHESIVE ON ADHEREND BECAUSE THERE IS A POSSIBILITY THAT THE EXTRA ADHESIVE CAUSES THE DEFECT IN ELECTRICAL CONTINUITY.



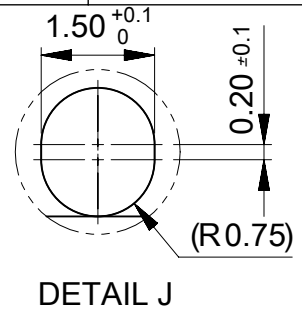
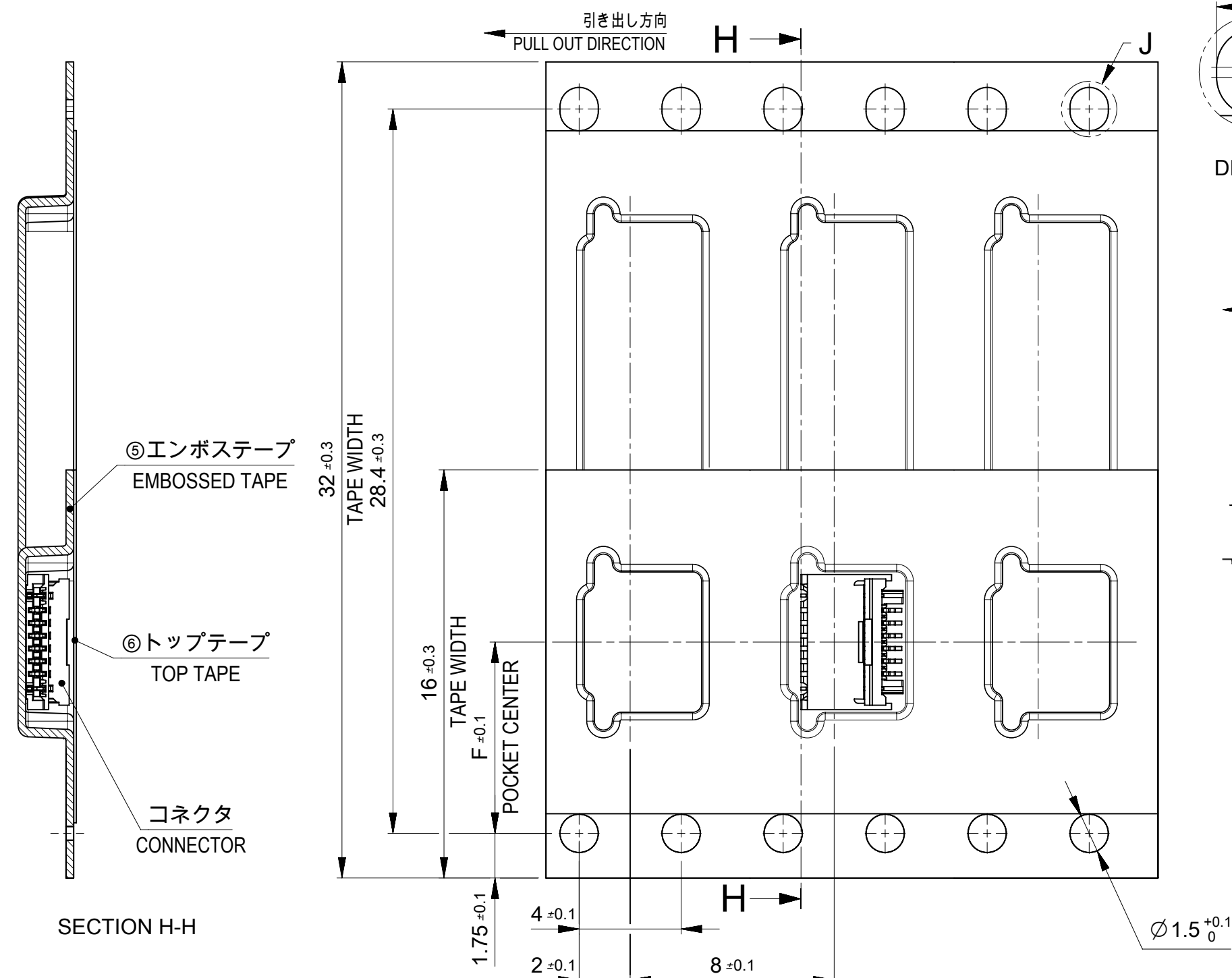
適合基板レイアウト
RECOMMENDED P.W.B PATTERN LAYOUT

推奨メタルマスク厚 RECOMMENDED SOLDER MASK THICKNESS	0.1mm
推奨マスク開口率 MASK OPENING RATIO	80%

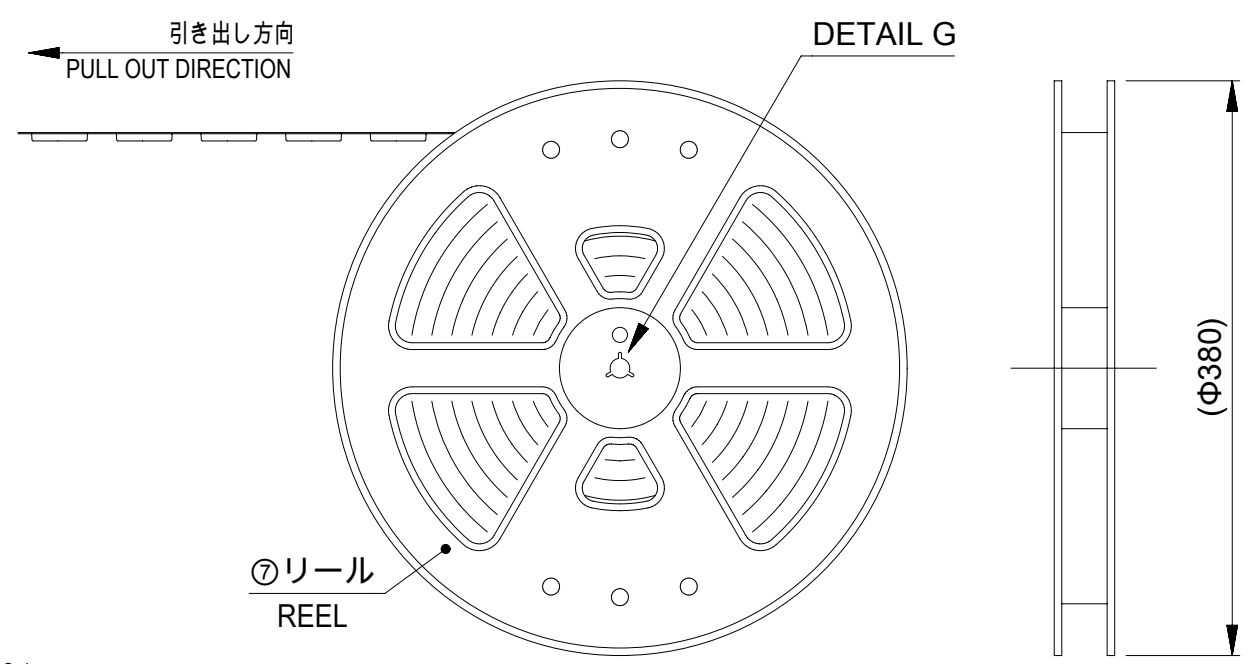
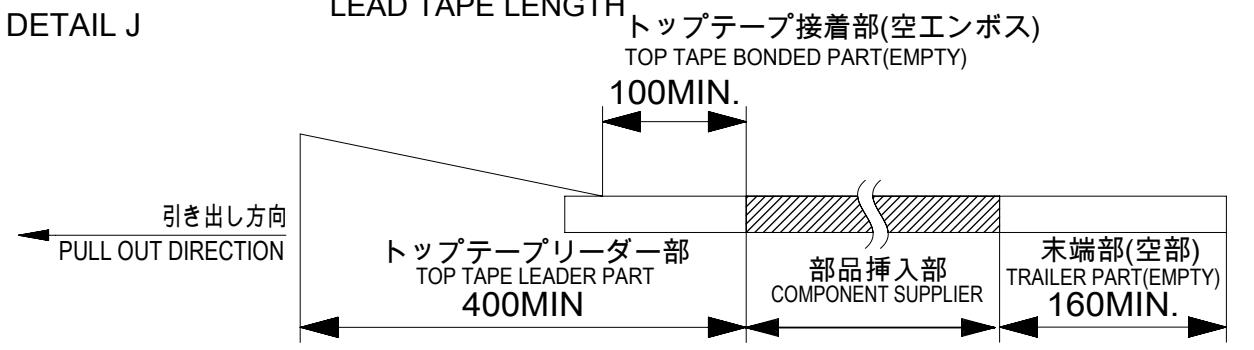
THIS DRAWING CONTAINS INFORMATION THAT IS PROPRIETARY TO MOLEX ELECTRONIC TECHNOLOGIES, LLC AND SHOULD NOT BE USED WITHOUT WRITTEN PERMISSION		CURRENT REV DESC: RELEASED		molex	
DIMENSION UNITS	SCALE				
mm	NTS			EASY-ON BT5P 0.5MM PITCH FPC CONNECTOR ZIF BACK FLIP H=0.9	
GENERAL TOLERANCES (UNLESS SPECIFIED)				PRODUCT CUSTOMER DRAWING	
ANGULAR TOL	± 1.0 °			DOCUMENT NUMBER	
4 PLACES	± 0.2	EC NO: 788090	2024/06/03	2213780001-SD	
3 PLACES	± 0.2	DRWN: HTAGAMI	2024/06/03	DOC TYPE	DOC PART
2 PLACES	± 0.2	CHK'D: KONIYAMA	2024/06/03	PSD	000
1 PLACE	± 0.2	APPR: KSASAKI	2024/06/04	REVISION	A
0 PLACES	± 0.2	INITIAL REVISION:		SHEET NUMBER	
DRAFT WHERE APPLICABLE MUST REMAIN WITHIN DIMENSIONS		DRWN: HTAGAMI	2024/03/01	2 OF 3	
THIRD ANGLE PROJECTION		APPR: KSASAKI	2024/06/04		
DRAWING		SERIES	MATERIAL NUMBER	CUSTOMER	
A3-SIZE		221378	SEE SHEET 1	GENERAL	

10 9 8 7 6 5 4 3 2 1

F
E
D
C
B
A

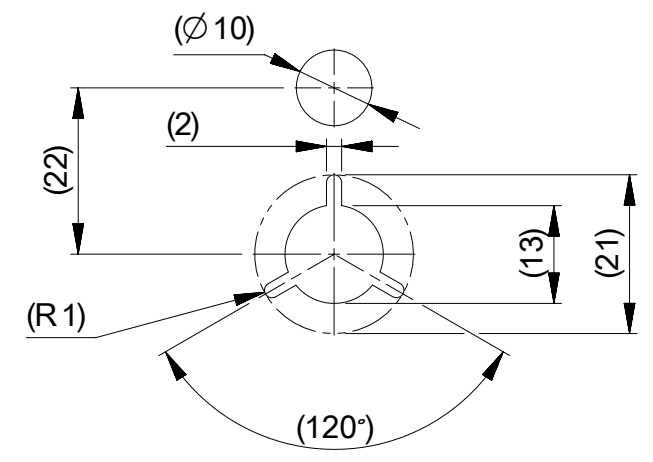


- NOTES**
- 梱包数量 : 5000個/リール
NUMBER OF CONNECTORS : 5000pcs/REEL.
 - トップテープの剥離強度については、IEC60286-3に準拠。
TOP TAPE PEEL FORCE IS DEFINED BY IEC60286-3.
 - リードテープ長さ
LEAD TAPE LENGTH



SECTION H-H

エンボステープ内のコネクタの向き
DIRECTION OF CONNECTOR IN EMBOSSED TAPE



DETAIL G

No.	部品名 PART NAME	材質 MATERIAL
⑤	エンボステープ EMBOSSSED TAPE	ポリスチレン(PS) POLYSTYRENE(PS)
⑥	トップテープ TOP TAPE	ポリエチレン(PE)、その他 POLYETHYLENE(PE), etc
⑦	リール REEL	ポリスチレン(PS) <リサイクル材を含む> POLYSTYRENE(PS) <RECYCLE MATERIAL CONTAINED>

THIS DRAWING CONTAINS INFORMATION THAT IS PROPRIETARY TO MOLEX ELECTRONIC TECHNOLOGIES, LLC AND SHOULD NOT BE USED WITHOUT WRITTEN PERMISSION		CURRENT REV DESC: RELEASED		molex	
DIMENSION UNITS	SCALE				
mm	NTS			EASY-ON BT5P 0.5MM PITCH FPC CONNECTOR ZIF BACK FLIP H=0.9	
GENERAL TOLERANCES (UNLESS SPECIFIED)				PRODUCT CUSTOMER DRAWING	
ANGULAR TOL	± 1.0 °			DOCUMENT NUMBER	
4 PLACES	± 0.2	EC NO: 788090		2213780001-SD	
3 PLACES	± 0.2	DRWN: HTAGAMI 2024/06/03		DOC TYPE DOC PART REVISION	
2 PLACES	± 0.2	CHK'D: KONIYAMA 2024/06/03		PSD 000 A	
1 PLACE	± 0.2	APPR: KSASAKI 2024/06/04			
0 PLACES	± 0.2	INITIAL REVISION:			
DRAFT WHERE APPLICABLE MUST REMAIN WITHIN DIMENSIONS		THIRD ANGLE PROJECTION	DRAWING	SERIES	MATERIAL NUMBER
			A3-SIZE	221378	SEE SHEET 1
				CUSTOMER	SHEET NUMBER
				GENERAL	3 OF 3

10 9 8 7 6 5 4 3 2 1