

Data Surge Protector SPD DPR Indoor 10/100 Base-T Ethernet/PoE+ RJ45 SASD

1101-905-1 DPR POE 60 V



Features

- Purpose Designed Modules for all Common Data Protocols
- Configurable Mixed Signal Protection
- RJ-45 Connectivity
- Mount into DPR Chassis, DIN-Rail Mount or Wall Mount

Applications

- 10/100 Base-T Ethernet/PoE+ Networks
- Telecommunications Base Stations
- WISP/ISP
- IT & Data Centers
- Point-to-Point Links
- Control Lines and Sense Loops
- Oil & Gas

Description

Data surge protector (also known as SPD or lightning protector) 1101-905-1 from Transtector is an indoor style SPD that utilizes state of the art SASD technology to protect critical equipment in 10/100 Base-T Ethernet/PoE+ protocol data networks, while remaining transparent to data throughput. This surge protector provides effective protection against electrical transient surges that are generated both by external lightning events and by internal switching events and supports long-term system reliability by absorbing high amounts of transient energy while maintaining a very low clamping voltage. Transtector Data Signal surge protectors are available in stock with same day shipping.

Electrical Specifications

Description	Minimum	Typical	Maximum	Units
Connectors		RJ45		
Compatible Cables		Cat5/5e UTP		
Data Protocols		10/100 Base-T Ethernet/PoE+		
Data Rate			100	Mb/s
Characteristic Impedance			100	Ohms
Power over Ethernet Protocols		PoE		
Vdc Rating (Data)		48	60	Vdc

Surge Protection Specification

Description	Minimum	Typical	Maximum	Units
Surge Protection Technology		SASD		
Protected Pins		[1,2], [3,6], [4,5], [7,8]		

Click the following link (or enter part number in "SEARCH" on website) to obtain additional part information including price, inventory and certifications:
[Data Surge Protector SPD DPR Indoor 10/100 Base-T Ethernet/PoE+ RJ45 SASD 1101-905-1](#)

Data Surge Protector SPD DPR Indoor 10/100 Base-T
 Ethernet/PoE+ RJ45 SASD



1101-905-1
 DPR POE 60 V

Protection Modes	L-G		
10/1000µs Surge Current			
L-G		100	A
Vpl 10/1000µs			
L-L		50 @ 100A	Vpk
Response Time		5	ns

Mechanical Specifications

Size

Height	0.91 in	[23.11 mm]
Width	0.97 in	[24.64 mm]
Depth	3.71 in	[94.23 mm]
Weight	0.2 lbs	[90.72 g]

Environmental Specifications

Operating Temperature	-40 to +75 deg C
Storage Temperature	-40 to +75 deg C
Mount Type	Wall, DIN, Rack
Installation Hardware	DIN Clip, #8 Screw

Compliance Certifications

Certifications	NOM
----------------	-----

Click the following link (or enter part number in "SEARCH" on website) to obtain additional part information including price, inventory and certifications:
[Data Surge Protector SPD DPR Indoor 10/100 Base-T Ethernet/PoE+ RJ45 SASD 1101-905-1](#)

Data Surge Protector SPD DPR Indoor 10/100 Base-T
Ethernet/PoE+ RJ45 SASD

1101-905-1
DPR POE 60 V



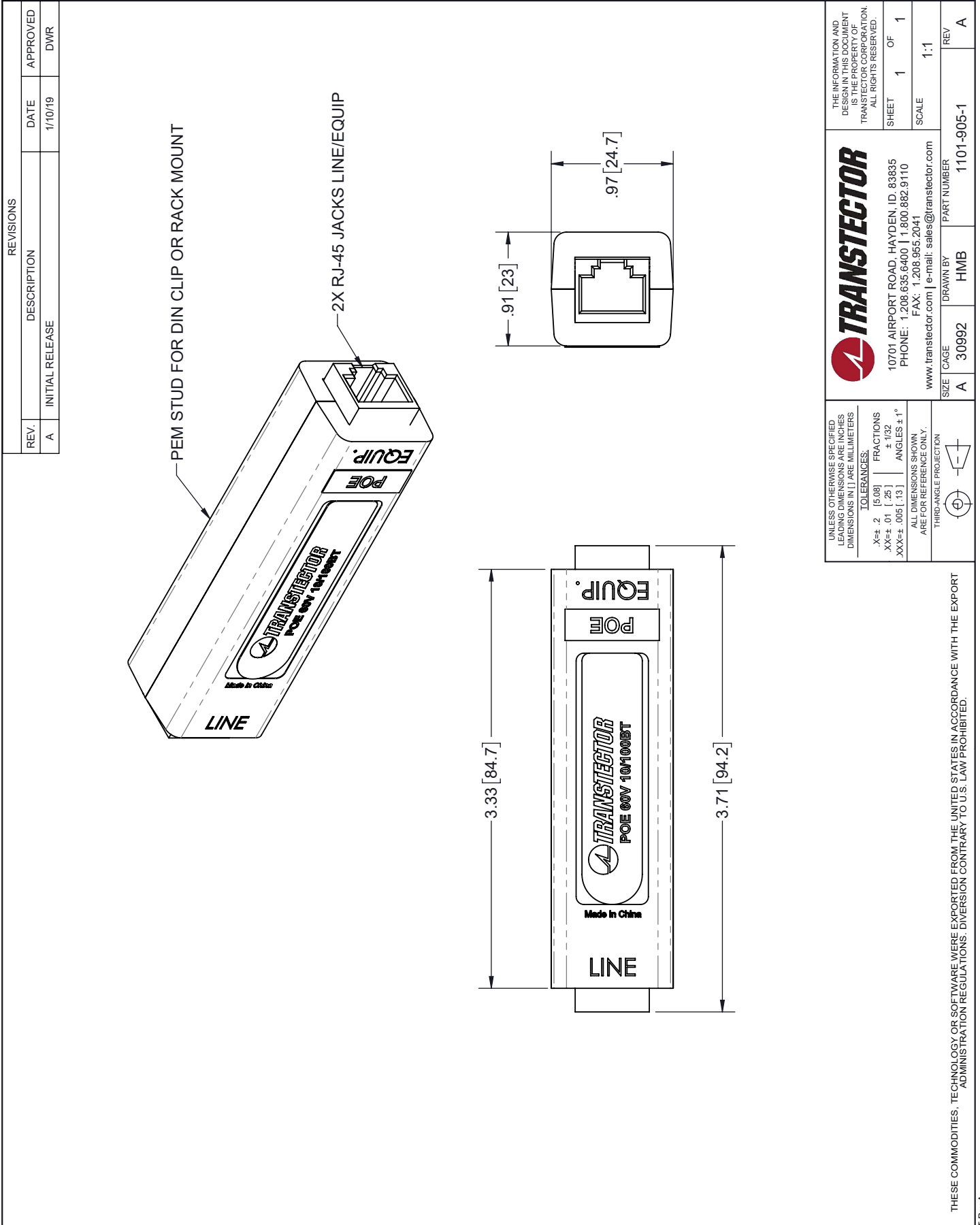
Transtector Systems specializes in protection of highly sensitive, low voltage equipment through its patented, non-degrading silicon diode technology and custom filters. Our power quality expertise translates into a diverse product offering including AC, DC, and signal applications as well as integrated cabinets, power distribution panels and EMP hardened devices.

Click the following link (or enter part number in "SEARCH" on website) to obtain additional part information including price, inventory and certifications: [Data Surge Protector SPD DPR Indoor 10/100 Base-T Ethernet/PoE+ RJ45 SASD 1101-905-1](https://www.transtector.com/data-surge-protector-spd-dpr-indoor-10-1101-905-1)

URL: <https://www.transtector.com/data-surge-protector-spd-dpr-indoor-10-1101-905-1-p.aspx>

The information contained in this document is accurate to the best of our knowledge and representative of the part described herein. It may be necessary to make modifications to the part and/or the documentation of the part, in order to implement improvements. Transtector reserves the right to make such changes as required. Unless otherwise stated, all specifications are nominal. Transtector does not make any representation or warranty regarding the suitability of the part described herein for any particular purpose, and Transtector does not assume any liability arising out of the use of any part or documentation.

1101-905-1 CAD Drawing



REVISIONS			
REV.	DESCRIPTION	DATE	APPROVED
A	INITIAL RELEASE	1/10/19	DWR

<p>UNLESS OTHERWISE SPECIFIED LEADING DIMENSIONS ARE INCHES DIMENSIONS IN [] ARE MILLIMETERS</p> <p>TOLERANCES:</p> <p>.X±.2 [5.08] FRACTIONS ±.1/32</p> <p>XX±.01 [.25] ANGLES ±1°</p> <p>XXX±.005 [.13]</p> <p>ALL DIMENSIONS SHOWN ARE FOR REFERENCE ONLY.</p> <p>THIRD-ANGLE PROJECTION</p>	<p>10701 AIRPORT ROAD, HAYDEN, ID. 83835 PHONE: 1.208.635.6400 1.800.882.9110 FAX: 1.208.955.2041 www.transactor.com e-mail: sales@transactor.com</p>	THE INFORMATION AND DESIGN IN THIS DOCUMENT IS THE PROPERTY OF TRANSTECTOR CORPORATION. ALL RIGHTS RESERVED.
		SHEET 1 OF 1 SCALE 1:1
SIZE CAGE A 30992	DRAWN BY HMB	PART NUMBER 1101-905-1
		REV A

THESE COMMODITIES, TECHNOLOGY OR SOFTWARE WERE EXPORTED FROM THE UNITED STATES IN ACCORDANCE WITH THE EXPORT ADMINISTRATION REGULATIONS. DIVERSION CONTRARY TO U.S. LAW PROHIBITED.

T-Rev A