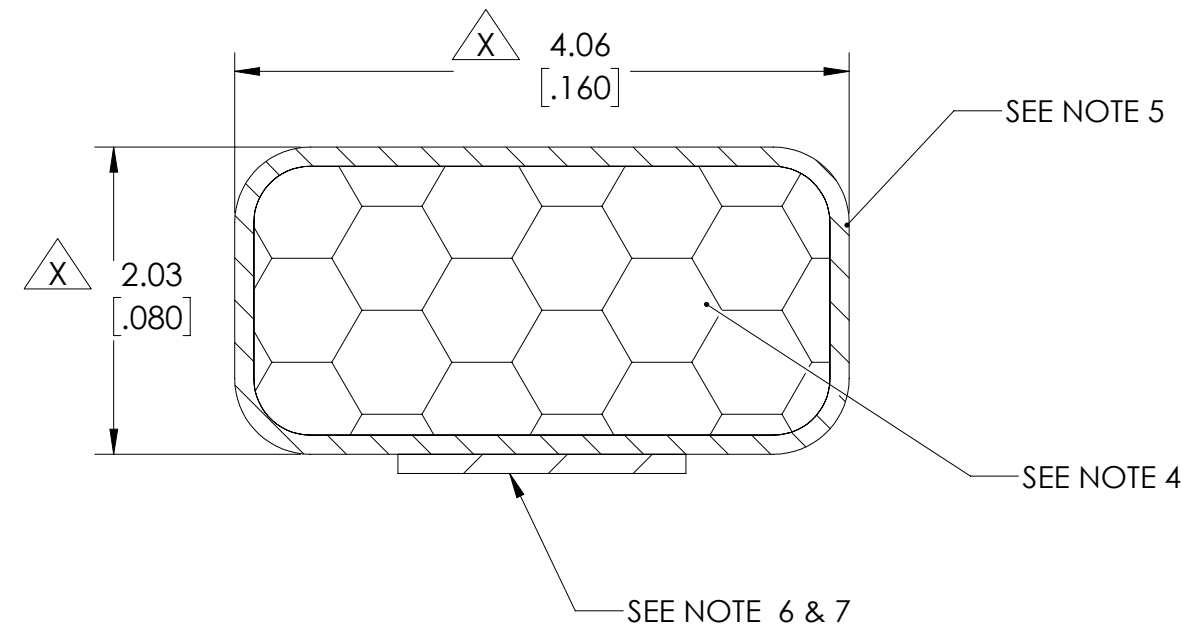


REVISIONS				
REV.	DESCRIPTION OF CHANGE	DATE	BY	APPROVED
0	INITIAL LAIRD RELEASE	6/28/2021	FJG	FJG



NOTES:

1. CRITICAL DIMENSIONS ARE DESIGNATED BY X
2. REFERENCE DIMENSIONS WILL BE SHOWN IN PARENTHESES (DIM)
3. FABRIC SEAM LOCATION MAY VARY
4. FOAM: POLYURETHANE
5. FABRIC: NICKEL PET-TAF FR EcoGreen
6. TAPE: 1.91mm WIDE HI-TEMP ADHESIVE
7. LINER: NO EXTENDED RELEASE LINER
8. CARRIER: NO CARRIER

- ROHS -
THIS PRODUCT IS FULLY COMPLIANT TO LT-GES-001 WHICH MEETS OR EXCEEDS COMPLIANCE REQUIREMENTS OF EUROPEAN DIRECTIVE 2011/65/EU 'RESTRICTION OF USE OF HAZARDOUS SUBSTANCES'
CAD MAINTAINED DRAWING REV. CONTROLLED DOCUMENT MANUAL CHANGES UNAUTHORIZED PRINTED COPIES OF THIS DOCUMENT ARE CONSIDERED UNCONTROLLED.
3D MODEL REQUIRED FOR COMPLETE DOCUMENTATION

BLOCK TOLERANCES APPLY TO METRIC UNITS ONLY. DUAL DIMENSIONS IF SHOWN ARE FOR REFERENCE ONLY AND ARE DISPLAYED IN 3 PLACES FOR CONVERSION PURPOSES ONLY

INFORMATION CONTAINED IN THIS DOCUMENT IS CONFIDENTIAL AND PROPRIETARY TO LAIRD. IT MAY NOT BE DISCLOSED TO ANYONE WITHOUT WRITTEN AUTHORIZATION FROM LAIRD TECHNOLOGIES.

UNITS: MM [INCH]	
TOLERANCES: X.XX = ± 0.5	
LENGTHS: 1 - 152 = ± 0.8 152 - 279 = ± 1.3 279 - 1219 = ± 2.5 1219 - 1778 = ± 4.8 1778 - 2438 = ± 6.4	3RD ANGLE PROJECTION
ANGULAR: X.X° = ± 1.0°	DESIGNED IN SOLIDWORKS
	SCALE: 20:1 SHEET 1 OF 1

MATERIAL:	X1R (SEE NOTES)
THICKNESS:	SEE DRAWING
FINISH:	N/A

PART DESCRIPTION:	SHIELDING GASKET
CUSTOMER:	N/A
PROGRAM NAME:	N/A
CUSTOMER PART NUMBER:	N/A
LAIRD PART FAMILY/GROUP:	FABRIC OVER FOAM

LAIRD PART NUMBER:		4094PAX1R	
MODEL BY:	FRANK GIBILTERRA	DATE:	6/28/2021
APPROVED BY:	FRANK GIBILTERRA	DATE:	6/28/2021
LAIRD STD PART REF:	N/A		
REV:	0		