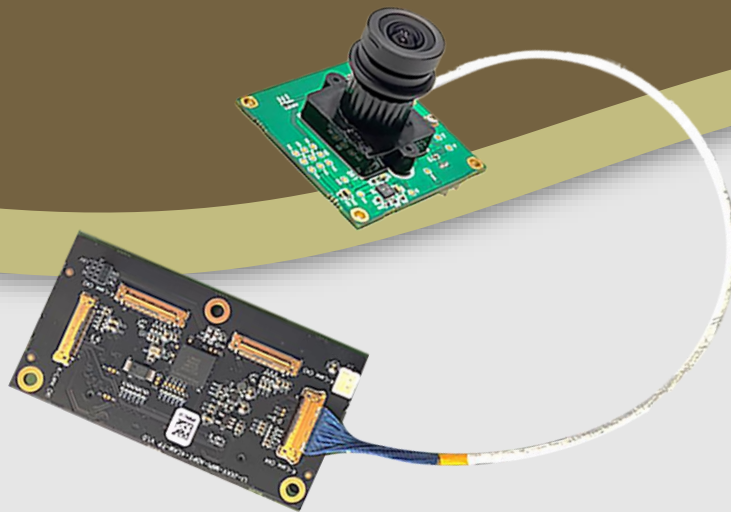




LEOPARD
IMAGING

LI-IMX715-MIPI-HOLOSCAN-082H



Address:

910 Auburn Ct
Fremont, CA 94538
USA



Phone:

+1 (408)263-0988

Fax:

+1 (408)217-1960



Sales:

sales@leopardimaging.com

Support:

support@leopardimaging.com

KEY FEATURES

- Nvidia Holoscan platform based on camera kit
- Sensor: Sony Diagonal 6.4 mm CMOS Image Sensor IMX715
- Active pixels: 3864 (H) x 2176 (V)
- Pixel size: 1.45 x 1.45 μm
- Color camera
- Length of the I-PEX cable: 300 mm
- Supports multiple length cables
- Allows customization
- Supports M12 x P0.5 lens
- Part#: LI-IMX715-MIPI-HOLOSCAN-082H

APPLICATIONS

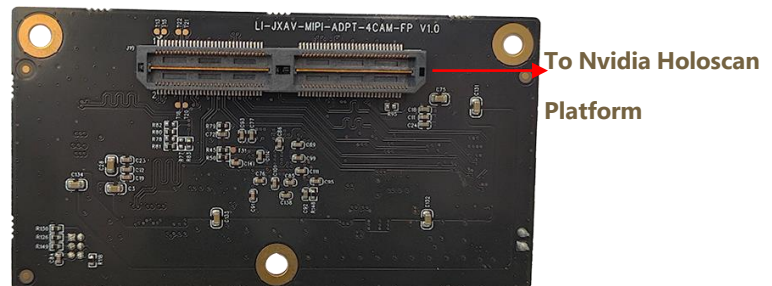
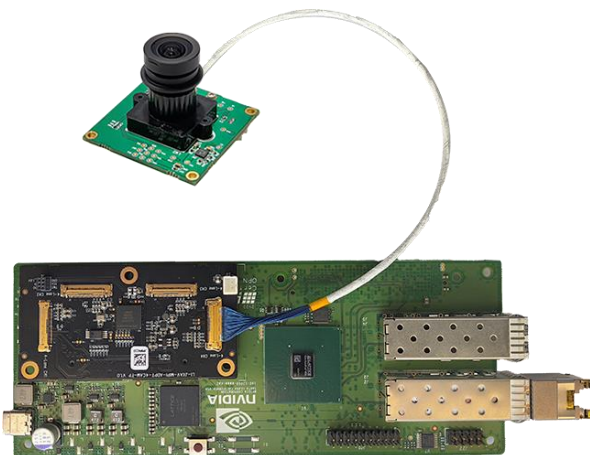
- IoT
- Robots

LENS SPECIFICATIONS

Effective Focal Length	4.063 mm
Aperture, F/#	2.29 \pm 5%
Field of View (FOV)	81.7° horizontal
	44.7° vertical
	95.1° diagonal
Optical Distortion	-28.1%
Relative Illumination	59.1%
IR Filter	650 nm IR cut filter
Lens Mount	M12 x 0.5

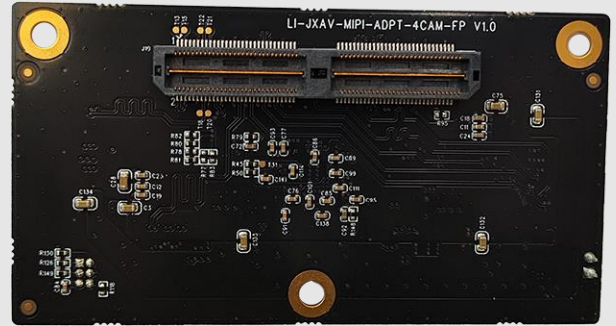
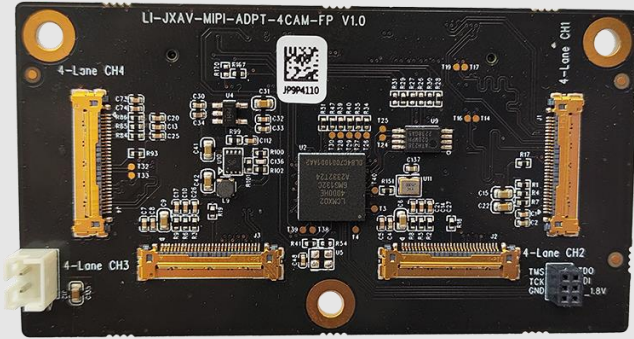
BOM

#	Items	QTY
1	LI-JXAV-MIPI-ADPT-4CAM-FP	1
2	FAW-1233-03 cable	1
3	LI-IMX715-MIPI-082H	1

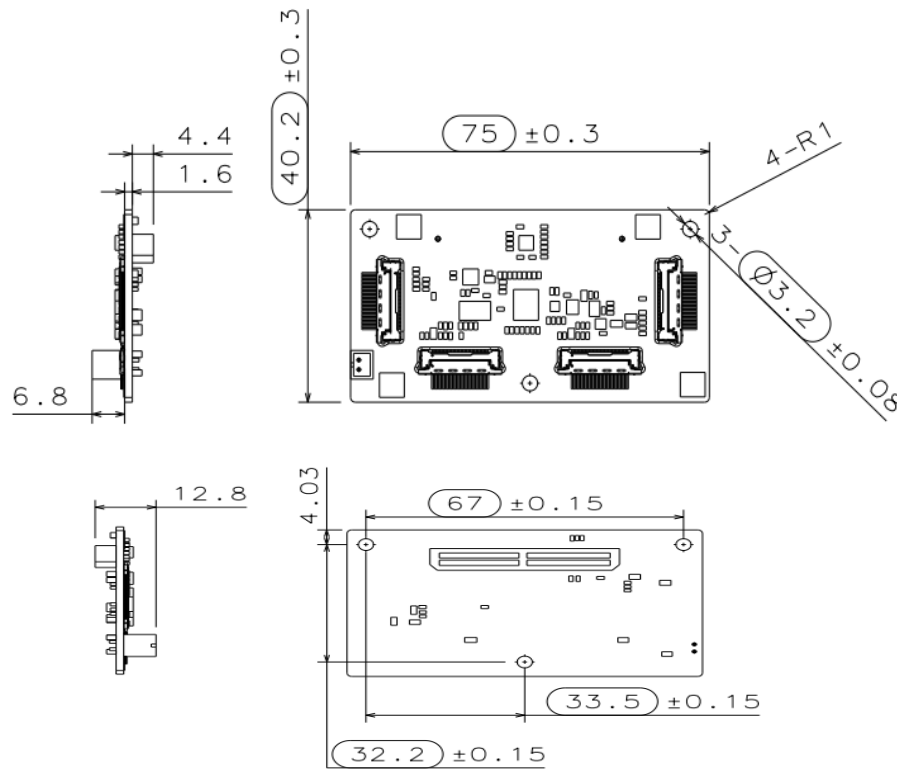


Nvidia Holoscan platform is **NOT** included.


Component #1 description: LI-JXAV-MIPI-ADPT-4CAM-FP



DIMENSIONS



NOTE:

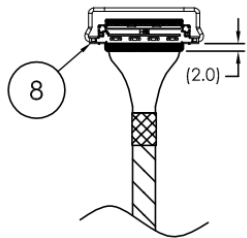
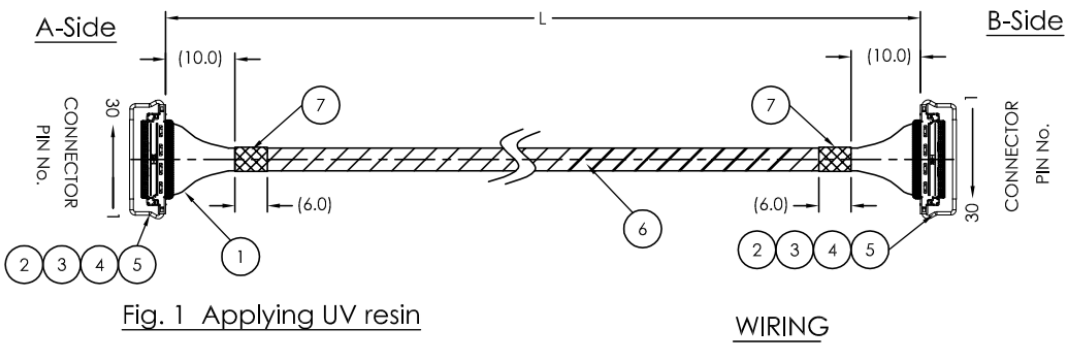
-  marked are important sizes.
- Tolerances for the unmarked are ± 0.3 mm.

Unit: mm

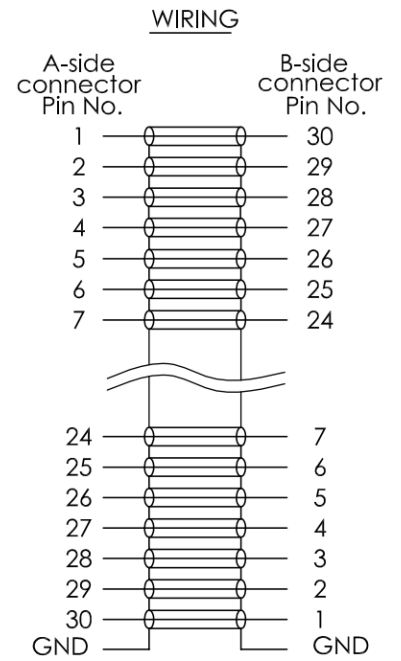
Component #2 description: FAW-1233-03 Cable



MECHANICAL DIAGRAM



WIRING

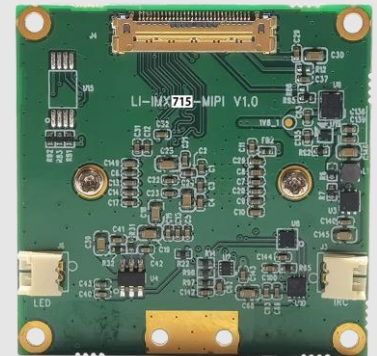


NOTE:

- Total length: 300.0 ± 10.0.
- Apply UV resin at the end of connector to cover cables both sides of the cable assembly (Fig.1).

Unit: mm

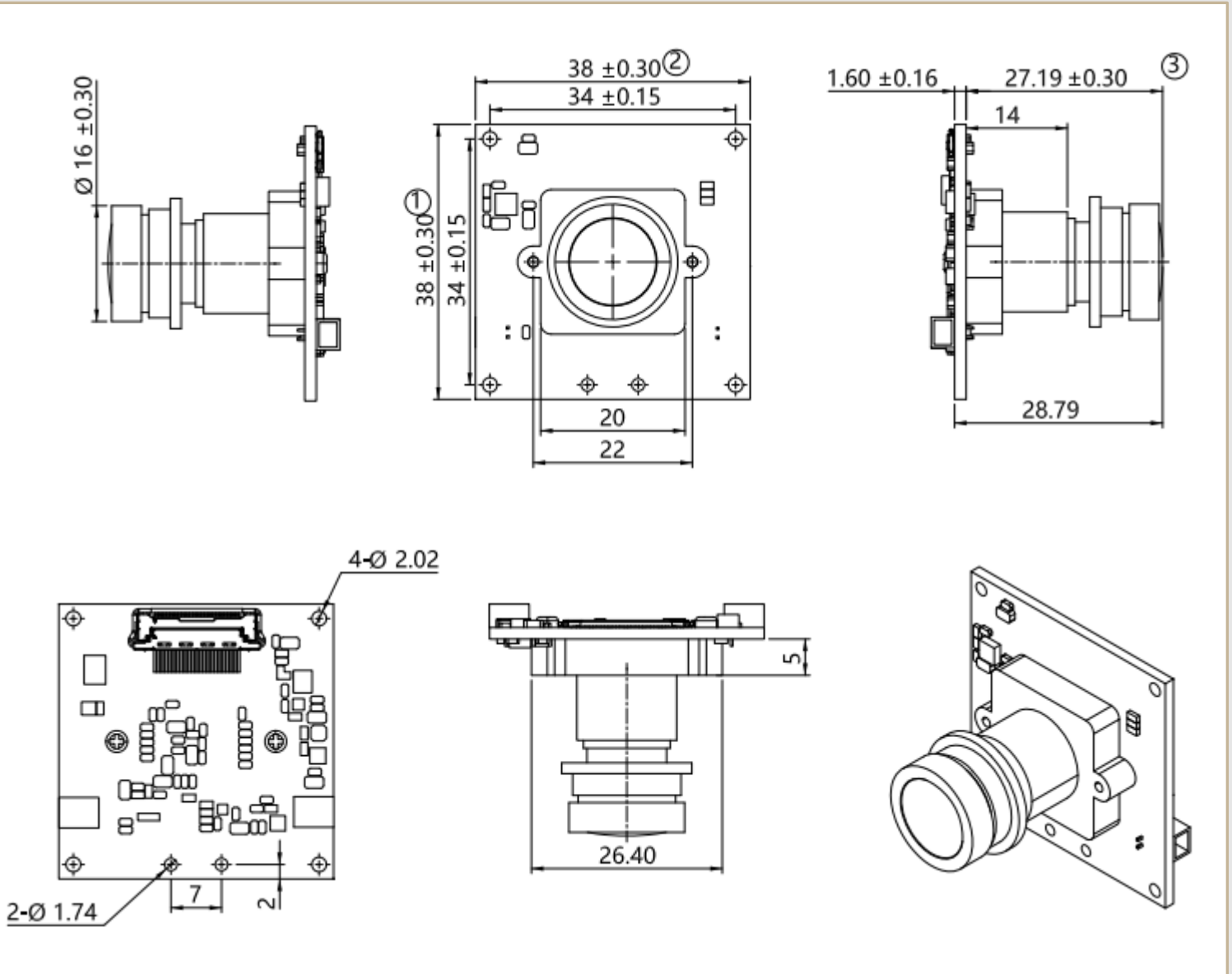
Component #3 description: LI-IMX715-MIPI-082H



CAMERA SPECIFICATIONS

Sensor	Sony Diagonal 6.43 mm (Type 1/2.8) Image Sensor IMX715
Optical Format	1/2.8"
Resolution	3864 (H) x 2176 (V) (active pixels)
Pixel Size	1.45 x 1.45 μm
Output Format	10-bit / 12-bit RAW data
Maximum Frame Rate	12-bit: 60.3 fps @ all-pixel scan mode 10-bit: 90.9 fps @ all-pixel scan mode
ISP	Not included
Color / Mono	Color sensor
Interface	4-lane MIPI CSI-2
Power Consumption	170 mA @ 3.3 VDC (3864 x 2192 @ 6 fps)
Operating Temp	-30°C ~ +85°C
Storage Temp	-40°C ~ +85°C
Weight	~ 18 g
Part#	LI-IMX715-MIPI-082H

DIMENSIONS



NOTE:

- \otimes marked are important sizes.
- Tolerances for others unmarked are ± 0.3 mm.

Unit: mm

REVISION HISTORY

Revision	Description	Release Date
0.1	Initial draft.	06 Jan 2025

910 Auburn Ct, Fremont, CA 94538, USA

Phone: +1-408-263-0988

Fax: +1-408-217-1960

Email: sales@leopardimaging.com

Website: www.leopardimaging.com

