

**CRM20615TL****Weidmüller Interface GmbH & Co. KG**

Klingenbergstraße 26

D-32758 Detmold

Germany

www.weidmueller.com



Similar to illustration

Individual relays within the CUBESERIES CRM

- Control voltages from 12 - 110 V DC and 24 - 230V AC
- 2 CO contact (12 A)
- With test buttons with colour coding (AC coil: orange)
- Integrated green status LED
- With mechanical status indicator

**General ordering data**

Version	CUBESERIES, Relay, Number of contacts: 2, CO contact AgNi, Rated control voltage: 115 V AC +10 % / -20 %, Continuous current: 12 A, Plug-in connection, Test button available: Yes
Order No.	<a href="#">3052910000</a>
Type	CRM20615TL
GTIN (EAN)	4099987022729
Qty.	10 pc(s).

Creation date June 6, 2025 8:58:53 PM CEST

Catalogue status 24.05.2025 / We reserve the right to make technical changes.

## CRM20615TL

Weidmüller Interface GmbH &amp; Co. KG

Klingenbergstraße 26

D-32758 Detmold

Germany

www.weidmueller.com

## Technical data

## Dimensions and weights

Depth	35.5 mm	Depth (inches)	1.398 inch
Height	27.4 mm	Height (inches)	1.079 inch
Width	21 mm	Width (inches)	0.827 inch
Net weight	35 g		

## Temperatures

Storage temperature	-40 °C...85 °C	Operating temperature	-40 °C...55 °C
Humidity	25 °C / 95 % rel. humidity, no condensation		

## Rated data UL

Certificate No. (cURus)	E223474
-------------------------	---------

## Control side

Rated control voltage	115 V AC +10 % / -20 %	Rated current AC	14 mA
Power rating	1.63 VA	Coil resistance	3610 Ω ± 10 %
Status indicator	Green LED		

## Load side

Rated switching voltage	250 V AC	Continuous current	12 A
Max. switching frequency at rated load	0.1 Hz	Max. switching voltage, AC	250 V
Max. switching voltage, DC	250 V	AC switching capacity (resistive), max.	3000 VA
DC switching capacity (resistive), max.	288 W @ 24 V	Switch-on delay	≤ 20 ms
Switch-off delay	≤ 12 ms	Contact type	2 CO contact (AgNi)
Mechanical service life	2 x 10 <sup>7</sup> switching cycles	Min. switching power	10 mA @ 12 V, 100 mA @ 5 V

## General data

Operating altitude	≤ 2000 m, above sea level	Test button available	Yes
Version of test button	Lockable test button, Momentary test button	Mechanical switch position indicator	Yes
Colour	Transparent	UL 94 flammability rating	V-2

## Insulation coordination

Rated voltage	250 V	Pollution severity	3
Surge voltage category	III	Dielectric strength for control side - load side	2.5 kV <sub>eff</sub> / 1 min
Dielectric strength of neighbouring contacts	2.5 kV <sub>eff</sub> / 1 min	Dielectric strength of open contact	1.5 kV <sub>eff</sub> / 1 min.
Impulse withstand voltage	4 kV (1.2/50 μs)	Protection degree	IP40

## Further details of approvals / standards

Certificate No. (CSA)	607178-80219312	Certificate No. (VDE)	40059812
Certificate No. (cURus)	E223474		

## Connection data

Wire connection method	Plug-in connection	Pitch in mm (P)	5 mm
------------------------	--------------------	-----------------	------

Creation date June 6, 2025 8:58:53 PM CEST

Catalogue status 24.05.2025 / We reserve the right to make technical changes.

2

## CRM20615TL

**Weidmüller Interface GmbH & Co. KG**  
 Klingenbergstraße 26  
 D-32758 Detmold  
 Germany

[www.weidmueller.com](http://www.weidmueller.com)

## Technical data

## Classifications

ETIM 6.0	EC001437	ETIM 7.0	EC001437
ETIM 8.0	EC001437	ETIM 9.0	EC001437
ETIM 10.0	EC001437	ECLASS 9.0	27-37-16-01
ECLASS 9.1	27-37-16-01	ECLASS 10.0	27-37-16-01
ECLASS 11.0	27-37-16-01	ECLASS 12.0	27-37-16-01
ECLASS 13.0	27-37-16-01	ECLASS 14.0	27-37-16-01
ECLASS 15.0	27-37-16-01		

## Environmental Product Compliance

RoHS Compliance Status	Compliant without exemption
REACH SVHC	No SVHC above 0.1 wt%

## Approvals

Approvals



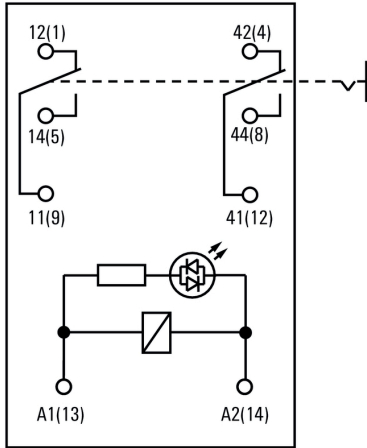
Approvals MAMID	<a href="https://mdcop.weidmueller.com/mediadelivery/rendition/900_319226/-T1z1mm-S800/">https://mdcop.weidmueller.com/mediadelivery/rendition/900_319226/-T1z1mm-S800/</a> <a href="https://mdcop.weidmueller.com/mediadelivery/rendition/900_319230/-T1z1mm-S800/">https://mdcop.weidmueller.com/mediadelivery/rendition/900_319230/-T1z1mm-S800/</a> <a href="https://mdcop.weidmueller.com/mediadelivery/rendition/900_319263/-T1z1mm-S800/">https://mdcop.weidmueller.com/mediadelivery/rendition/900_319263/-T1z1mm-S800/</a>
ROHS	Conform
UL File Number Search	UL Website
Certificate No. (cURus)	E223474

## Downloads

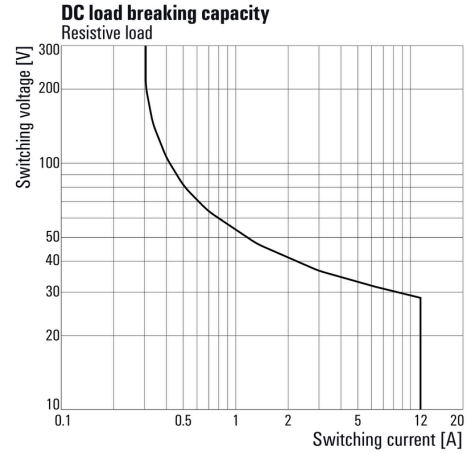
Engineering Data	<a href="#">CAD data – STEP</a>
Catalogues	<a href="#">Catalogues in PDF-format</a>

**Drawings**

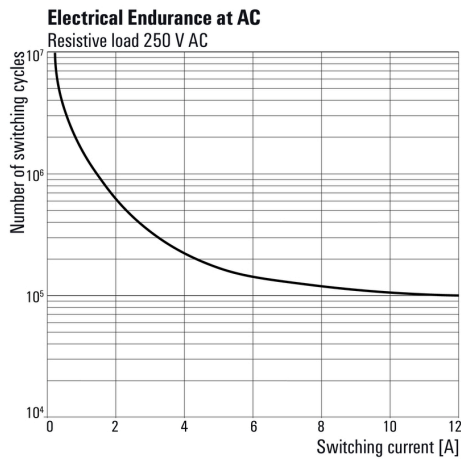
**Connection diagram**



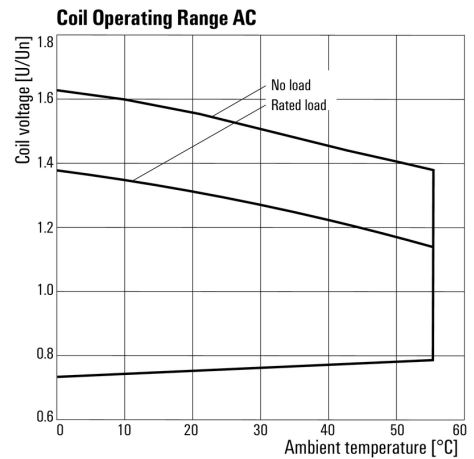
**Graph**



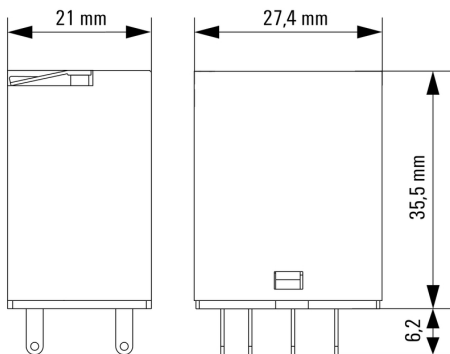
**Graph**



**Graph**



**Dimensional drawing**



## CRM20615TL

**Weidmüller Interface GmbH & Co. KG**  
 Klingenbergstraße 26  
 D-32758 Detmold  
 Germany

www.weidmueller.com

# Accessories

## Relay sockets



Relay sockets for the CUBESERIES CRM relays

- 4 CO output version for 2 CO and 4 CO relays
- Screw and PUSH IN connection
- PUSH IN sockets with wide pushers for screwdrivers up to 1.0 x 5.5 mm blade size
- Various cross connection possibilities
- Matching accessories such as cross-connections, retaining clips and LED modules

### General ordering data

Type	CSM S 4CO	Version
Order No.	<a href="#">3053160000</a>	CUBESERIES, Relay socket, Number of contacts: 4, CO contact,
GTIN (EAN)	4099987022989	Continuous current: 6 A, Screw connection
Qty.	10 pc(s).	
Type	CSM P 4CO	Version
Order No.	<a href="#">3053140000</a>	CUBESERIES, Relay socket, Number of contacts: 4, CO contact,
GTIN (EAN)	4099987022965	Continuous current: 8 A, PUSH IN
Qty.	10 pc(s).	

## Cross-connections



### General ordering data

Type	CXM CCP 2P RD	Version
Order No.	<a href="#">3053220000</a>	CUBESERIES, Cross-connector
GTIN (EAN)	4099987023047	
Qty.	20 pc(s).	
Type	CXX JMP 2P RD	Version
Order No.	<a href="#">3053250000</a>	CUBESERIES, Cross-connector
GTIN (EAN)	4099987023078	
Qty.	30 pc(s).	
Type	CXM CCP 8P BL	Version
Order No.	<a href="#">3053210000</a>	CUBESERIES, Cross-connector
GTIN (EAN)	4099987023030	
Qty.	10 pc(s).	
Type	CXM CCP 8P RD	Version
Order No.	<a href="#">3053200000</a>	CUBESERIES, Cross-connector
GTIN (EAN)	4099987023023	
Qty.	10 pc(s).	

**CRM20615TL**

**Weidmüller Interface GmbH & Co. KG**  
 Klingenbergstraße 26  
 D-32758 Detmold  
 Germany

www.weidmueller.com

**Accessories**

Type	CXX JMP 2P BL	Version
Order No.	<a href="#">3053260000</a>	CUBESERIES, Cross-connector
GTIN (EAN)	4099987023085	
Qty.	30 pc(s).	
Type	CXM CCS 6P GY	Version
Order No.	<a href="#">3053180000</a>	CUBESERIES, Cross-connector
GTIN (EAN)	4099987023009	
Qty.	2 pc(s).	
Type	CXM CCP 2P BL	Version
Order No.	<a href="#">3053230000</a>	CUBESERIES, Cross-connector
GTIN (EAN)	4099987023054	
Qty.	20 pc(s).	

**Protection modules**



**General ordering data**

Type	CXX V 73	Version
Order No.	<a href="#">3053490000</a>	CUBESERIES, Protective varistor, Rated control voltage: 220...240 V
GTIN (EAN)	4099987023276	AC, Plug-in connection
Qty.	20 pc(s).	
Type	CXX RC 53	Version
Order No.	<a href="#">3053400000</a>	CUBESERIES, RC element, Rated control voltage: 110...230 V AC,
GTIN (EAN)	4099987023184	Plug-in connection
Qty.	20 pc(s).	

**Retaining clips**



Retaining clips for CUBESERIES CRI relays.  
 Plastic retaining clip:

- With relay ejector function
- Marking slots for MultiFit markers
- Fits on relays with and without test button

Metal retaining clip:

- For a strong hold of the relay in the socket

**General ordering data**

Type	CXM CLIP P	Version
Order No.	<a href="#">3053240000</a>	CUBESERIES, Retaining clip
GTIN (EAN)	4099987023061	
Qty.	10 pc(s).	

**Data sheet**

**CRM20615TL**

**Weidmüller Interface GmbH & Co. KG**  
 Klingenbergstraße 26  
 D-32758 Detmold  
 Germany

www.weidmueller.com

**Accessories**

Type	CXM CLIP M	Version
Order No.	<a href="#">3053190000</a>	CUBESERIES, Retaining clip
GTIN (EAN)	4099987023016	
Qty.	25 pc(s).	

**LED**

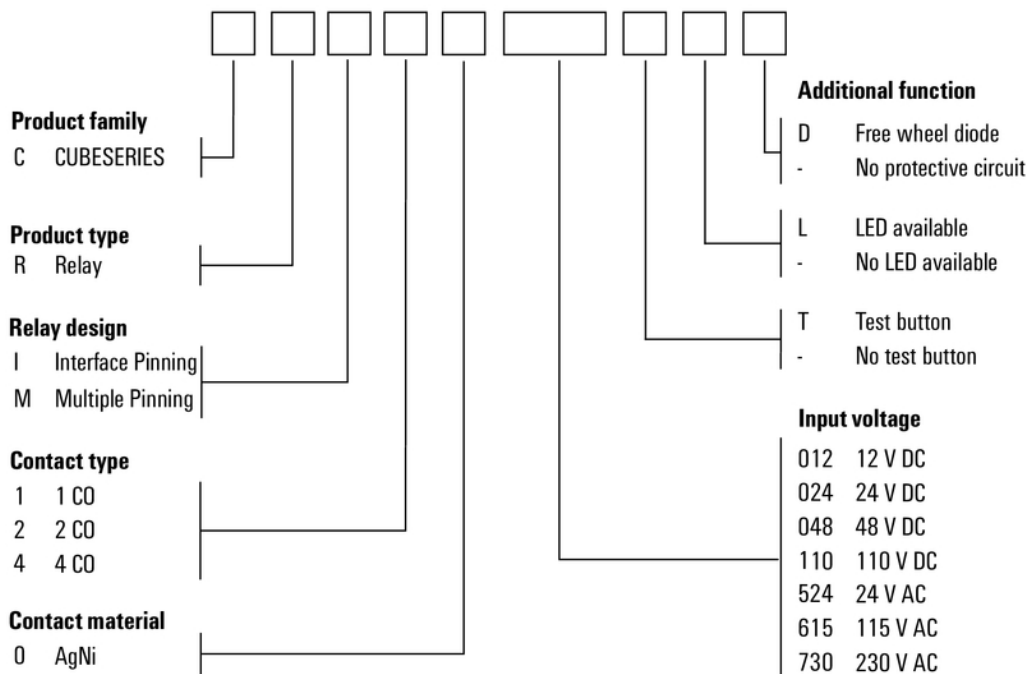


**General ordering data**

Type	CXX L 63G	Version
Order No.	<a href="#">3053460000</a>	CUBESERIES, LED module, Rated control voltage: 110...230 V UC,
GTIN (EAN)	4099987023245	Plug-in connection
Qty.	20 pc(s).	
Type	CXX L 63R	Version
Order No.	<a href="#">3053450000</a>	CUBESERIES, LED module, Rated control voltage: 110...230 V UC,
GTIN (EAN)	4099987023238	Plug-in connection
Qty.	20 pc(s).	

Miscellaneous

## Type code CUBESERIES relay versions



Type codes