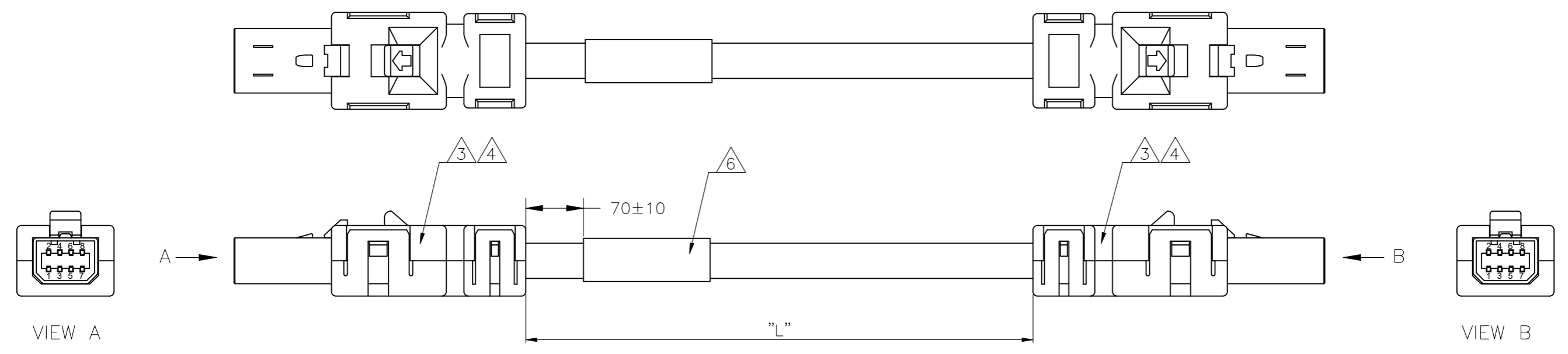


THIS DRAWING IS UNPUBLISHED. RELEASED FOR PUBLICATION
 © COPYRIGHT - By - ALL RIGHTS RESERVED.

| REVISIONS | | | | |
|-----------|-----|--------------------|-----------|--------|
| P | LTR | DESCRIPTION | DATE | APVD |
| | A3 | NEW VARIANTS ADDED | 05DEC2025 | HS LET |



- NOTES:**
- 1 PACKAGING: ACC. TO TE SPEC. 107-18064
 - 2 ELECTRICAL TEST ACCORDING TE SPECIFICATION 108-18857.
SHORT-CIRCUIT AND CONTINUITY TEST AT 500V DC, 0.1s
 - 3 KEEP THE DIRECTION OF CONNECTOR TO THE CABLE ON BOTH SIDE THE SAME
 - 4 WIRING SCHEMA ACC. TO TIA/EIA-568-B AS SHOWN IN WIRING SCHEDULE
 - 5 PROP 65 WARNING LABEL: SEE SHEET 2
 - 6 LABEL TEXT:
TE CONNECTIVITY
WW/YY/PRODUCTION LOCATION CODE
 - 7 SUPERSEDED

WIRING SCHEDULE 4

| CAVITY SIDE A | COLOR | CAVITY SIDE B |
|---------------|-------|---------------|
| 1 | WH/OG | 1 |
| 2 | OG | 2 |
| 3 | WH/GN | 3 |
| 4 | BU | 4 |
| 5 | WH/BU | 5 |
| 6 | GN | 6 |
| 7 | WH/BN | 7 |
| 8 | BN | 8 |

| | | | |
|---|--------------|--------------------------------------|-------------|
| 5 | 10000 (±300) | INDUSTRIAL ETHERNET HIGHFLEX 70° PUR | 3-2205132-6 |
| | 5000 (±150) | INDUSTRIAL ETHERNET HIGHFLEX 70° PUR | 3-2205132-5 |
| | 3000 (±50) | INDUSTRIAL ETHERNET HIGHFLEX 70° PUR | 3-2205132-4 |
| | 2000 (±25) | INDUSTRIAL ETHERNET HIGHFLEX 70° PUR | 3-2205132-3 |
| | 1000 (±15) | INDUSTRIAL ETHERNET HIGHFLEX 70° PUR | 3-2205132-2 |
| | 500 (±10) | INDUSTRIAL ETHERNET HIGHFLEX 70° PUR | 3-2205132-1 |
| 7 | 10000 (±300) | HIFLEX MULTIPURPOSE 70°C PUR | 2-2205132-6 |
| | 5000 (±150) | HIFLEX MULTIPURPOSE 70°C PUR | 2-2205132-5 |
| | 3000 (±50) | HIFLEX MULTIPURPOSE 70°C PUR | 2-2205132-4 |
| | 2000 (±25) | HIFLEX MULTIPURPOSE 70°C PUR | 2-2205132-3 |
| | 1000 (±15) | HIFLEX MULTIPURPOSE 70°C PUR | 2-2205132-2 |
| | 500 (±10) | HIFLEX MULTIPURPOSE 70°C PUR | 2-2205132-1 |
| | LENGTH "L" | CABLE VERSION | TE PN |

| | | | | | |
|--|--|-----------------------------------|--|------------------------------------|--|
| THIS DRAWING IS A CONTROLLED DOCUMENT. | | DWN 04FEB2015 SATHISH KUMAR .G | | STE TE Connectivity | |
| DIMENSIONS: mm | | CHK 04FEB2015 B.VELDHOVEN | | | |
| TOLERANCES UNLESS OTHERWISE SPECIFIED: | | APVD 04FEB2015 A.VAN ZANDVOORT | | NAME CA MINI IO MINI IO TYPE II | |
| 0 PLC ± - | | PRODUCT SPEC 108-78955 | | SIZE | |
| 1 PLC ± - | | APPLICATION SPEC 114-5506 | | CAGE CODE | |
| 2 PLC ± - | | WEIGHT | | DRAWING NO | |
| 3 PLC ± - | | CUSTOMER DRAWING | | RESTRICTED TO | |
| 4 PLC ± - | | | | A3 00779 C-2205132 | |
| ANGLES ± 1° | | | | SCALE | |
| FINISH | | | | SHEET | |
| MATERIAL | | | | 1 OF 2 | |
| | | | | REV | |
| | | | | A3 | |

THIS DRAWING IS UNPUBLISHED.

RELEASED FOR PUBLICATION

-, - .

REVISIONS

© COPYRIGHT - By -


ALL RIGHTS RESERVED.

| P | LTR | DESCRIPTION | DATE | DWN | APVD |
|---|-----|-------------|------|-----|------|
| - | - | SEE SHEET 1 | - | - | - |


NOTES: CONTINUATION FROM SHEET 1:

5 PROP 65 WARNING LABEL:

- THE WARNING LABEL ON THE PRODUCT OR LOWEST LEVEL PACKAGING
- CHEMICAL NAME: ANTIMONY TRIOXIDE



WARNING: This product can expose you to chemicals including ANTIMONY TRIOXIDE which is known to the state of California to cause cancer. For more information, visit www.P65Warnings.ca.gov.

| | | | | | |
|--|-------------|-----------------------------------|---|--------------------|--------------------|
| THIS DRAWING IS A CONTROLLED DOCUMENT. | | DWN 04FEB2015 SATHISH KUMAR .G |  TE Connectivity | | |
| DIMENSIONS: mm | | CHK 04FEB2015 B.VELDHOVEN | | | |
| TOLERANCES UNLESS OTHERWISE SPECIFIED: | | APVD 04FEB2015 A.VAN ZANDVOORT | PRODUCT SPEC 108-78955 | | RESTRICTED TO - |
| 0 PLC ± - 1 PLC ± - 2 PLC ± - 3 PLC ± - 4 PLC ± - ANGLES ± 1° | | APPLICATION SPEC 114-5506 | SIZE A3 | CAGE CODE 00779 | |
| MATERIAL - | FINISH - | WEIGHT 0.000000 | DRAWING NO C-2205132 | | SCALE NTS |
| CUSTOMER DRAWING | | | SHEET 2 OF 2 | | REV A3 |