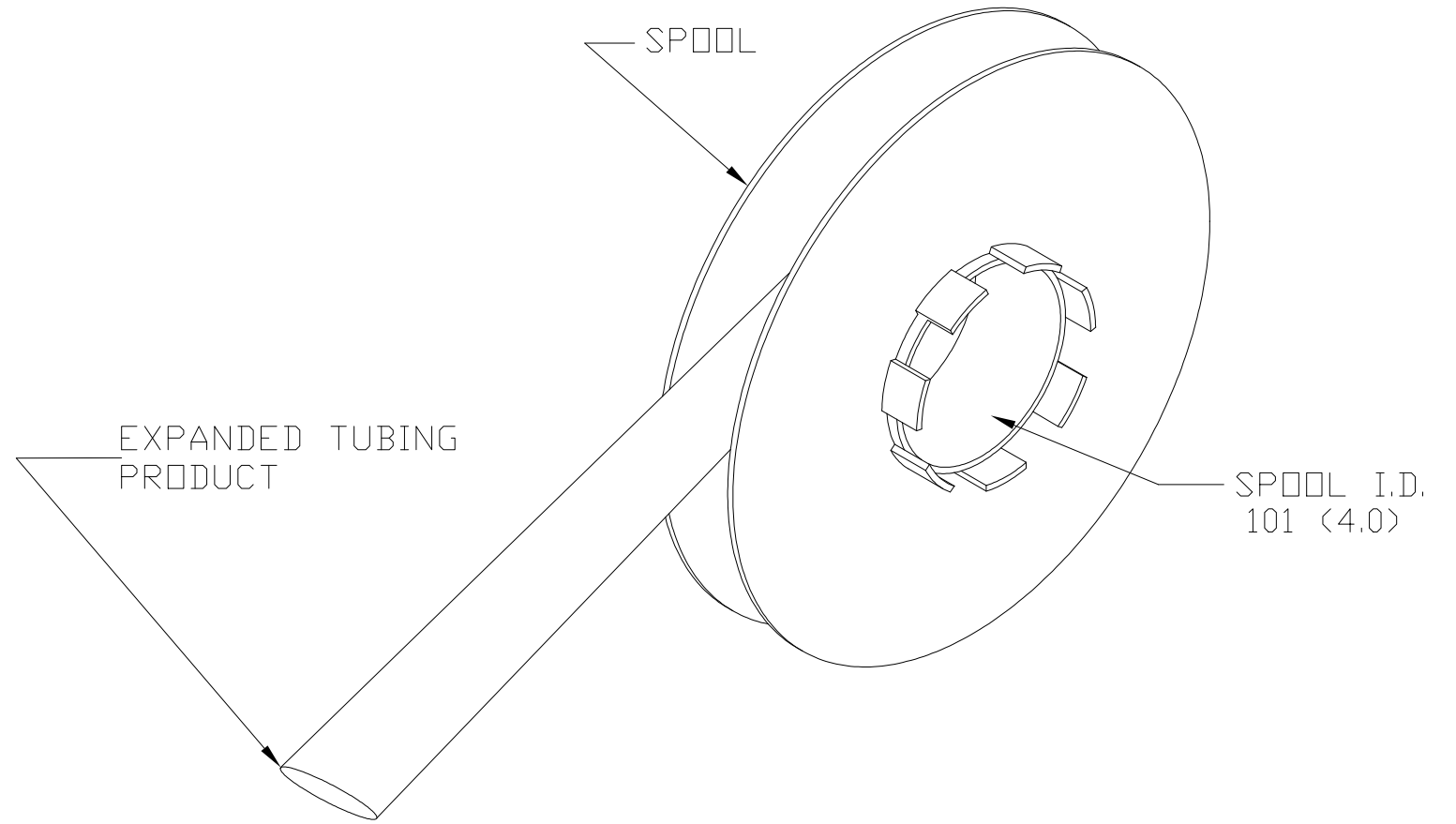
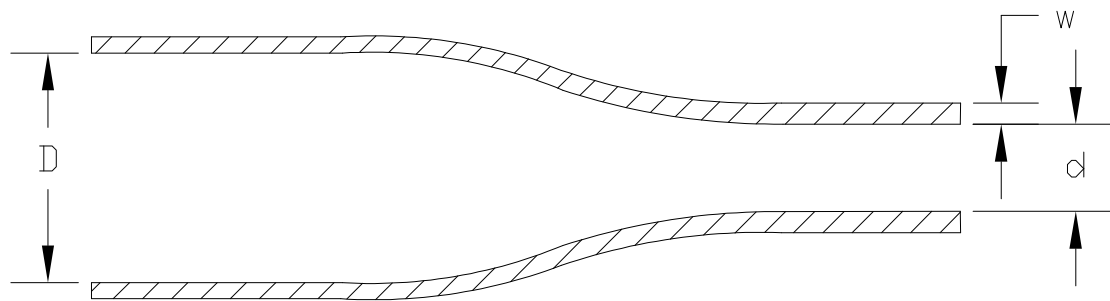
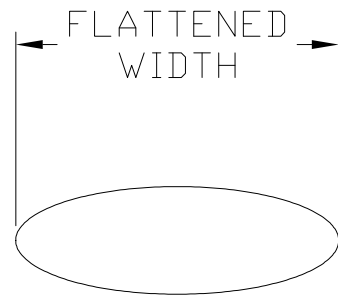


P	LTR	DESCRIPTION	DATE	DWN	APVD
	3	TABLE DIMENSIONS UPDATED	15APR2026	GSK	AK



Product Size	3.2	4.8	6.4	9.5	12.7	19.0	25.4	38.1
"D" Minimum Supplied I.D.	3.20 (.126)	4.80 (.189)	6.40 (.252)	9.50 (.374)	12.70 (.500)	19.05 (.750)	25.40 (1.00)	38.10 (1.50)
"d" Maximum Recovered I.D.	1.07 (.042)	1.57 (.062)	2.11 (.083)	3.18 (.125)	4.22 (.166)	6.35 (.250)	8.46 (.333)	19.05 (.750)
"w" Recovered Wall Thickness ±0.08 (.003)	0.58 (.023)	0.58 (.023)	0.58 (.023)	0.61 (.024)	0.61 (.024)	0.61 (.024)	0.64 (.025)	0.51 (.020)
Minimum Sleeve Flattened Width	5.84 (.229)	8.00 (.315)	10.70 (.419)	15.50 (.610)	20.40 (.803)	30.50 (1.201)	40.40 (1.591)	60.30 (2.374)

NOTES:

1. ALL DIMENSIONS ARE IN MILLIMETERS (inches).
2. ONE SPLICE PER SPOOL PERMITTED. BOX IS MARKED WHERE APPLICABLE

THIS DRAWING IS A CONTROLLED DOCUMENT.		DWN AFK CHK -	09JAN2020	TE Connectivity	
DIMENSIONS: mm		TOLERANCES UNLESS OTHERWISE SPECIFIED: 0 PLC ± - 1 PLC ± - 2 PLC ± - 3 PLC ± - 4 PLC ± - ANGLES ± -			
		MATERIAL CROSSLINKED POLYOLEFIN		FINISH -	
		WEIGHT VARIOUS		NAME RPS-CT OUTSIDE PRINTER SPOOL	
		CUSTOMER DRAWING		SIZE A3	CAGE CODE 0198G
		SCALE -		DRAWING NO C-MCD170012	RESTRICTED TO -
		SHEET 1 OF 1		REV 3	