

P	LTR	DESCRIPTION	DATE	DWN	APVD
	D	REVISED PER ECR-25-239410	16MAY2025	SA	DSC



PART NO. BESTELL-NR.	SIZE		RECOMMENDED STRIP LENGTH ABISOLIER-LÄNGE	MINIMUM PULL-OUT STRENGTH SLEEVE STRAND CONDUCTOR MINDEST-AUSZUGSKARFT HULSE LITZENLEITER /N	COLOUR FARBE	d ₁	d ₂	L ₁	L ₂	s ₁	s ₂	COLOUR TYPE FARBREIHE	PACKAGE QTY VERPACKUNGSEINHEIT PARTS/STÜCK REEL/SPULE
	mm ²	AWG	/mm			/mm	/mm	/mm	/mm	/mm	/mm		
966 902-2	1.00	18	10.5+0.2	35	RED ROT	1.4 ^{+0.14}	3.0 ±0.2	14 ±1.5	8 ±0.4	0.15 ±0.05	0.30±0.10	DIN/1	3500

1 THE AWG CROSS-SECTION CAN DIFFER SLIGHTLY FROM THE DIN-STANDARD CROSS-SECTION VALUES

2 NOTE DELETED

3 MAX. INSULATION-DIA. OF WIRE: d₂ MIN.- 0.1

4 COLOUR TYPE 1: COLOUR PER FRENCH STANDARD
DIN COLOUR TYPE: COLOUR PER DIN 46228 PART 4

5 NOTE DELETED

6 0.6MM ALLOWABLE MOLDING FLASH PRESENT IN THIS ZONE

7 STRIP FORM ON CARDBOARD REEL, DIA. ABOUT 450 mm

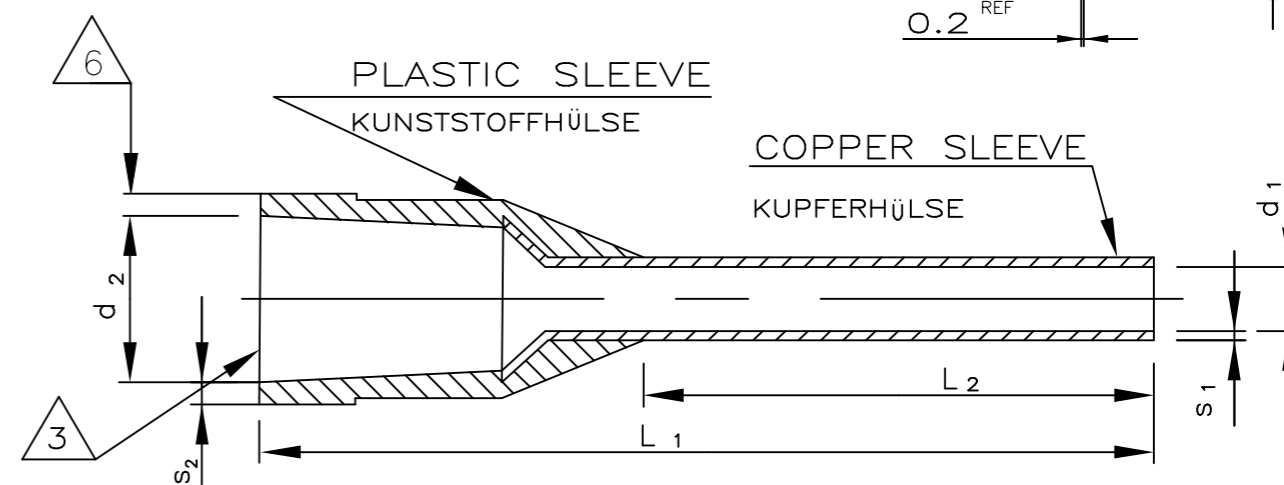
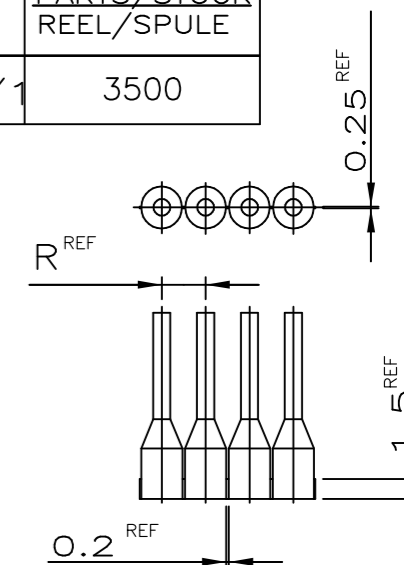
8 MATERIAL:
METAL SLEEVE - COPPER
PLASTIC SLEEVE - POLYPROPYLENE

9 FINISH:
METAL SLEEVE - TIN PLATE 3µm MIN THICKNESS
PLATE SLEEVE COLOR - SEE TABLE

10 MAXIMUM RECOMMENDED TEMPERATURE 105°C

11 PARTS PER DIN 46228 PART 4 EXCEPT FOR S2 DIMENSION WHICH INCLUDES PLASTIC CARRIER STRIP CUTOFF BURR

NOMINAL SIZE NENNGRÖßE /mm ²	R /mm
0.5 - 0.75	3.6
1 - 1.5	4.2
2.5	5.0



THIS DRAWING IS A CONTROLLED DOCUMENT.		DWN E. WERNER 29-APR-96	TE Connectivity	
		CHK R.SCHMIDT 29-APR-96		
		APVD G.FELDMEIER 12-SEP-00	NAME	
		PRODUCT SPEC	WIRE FERRULE WITH PLASTIC SLEEVE, SINGLE CONDUCTOR, DIN 46228 PART 4, STRIP & REEL FORM DIN & FRENCH COLOR CODING	
		APPLICATION SPEC	SIZE	RESTRICTED TO
		WEIGHT	A3 00779	
		CUSTOMER DRAWING	CAGE CODE	REV
			G-966902	D
			SCALE	SHEET
			-	1 OF 1