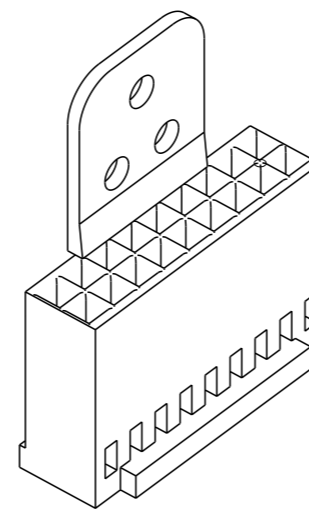
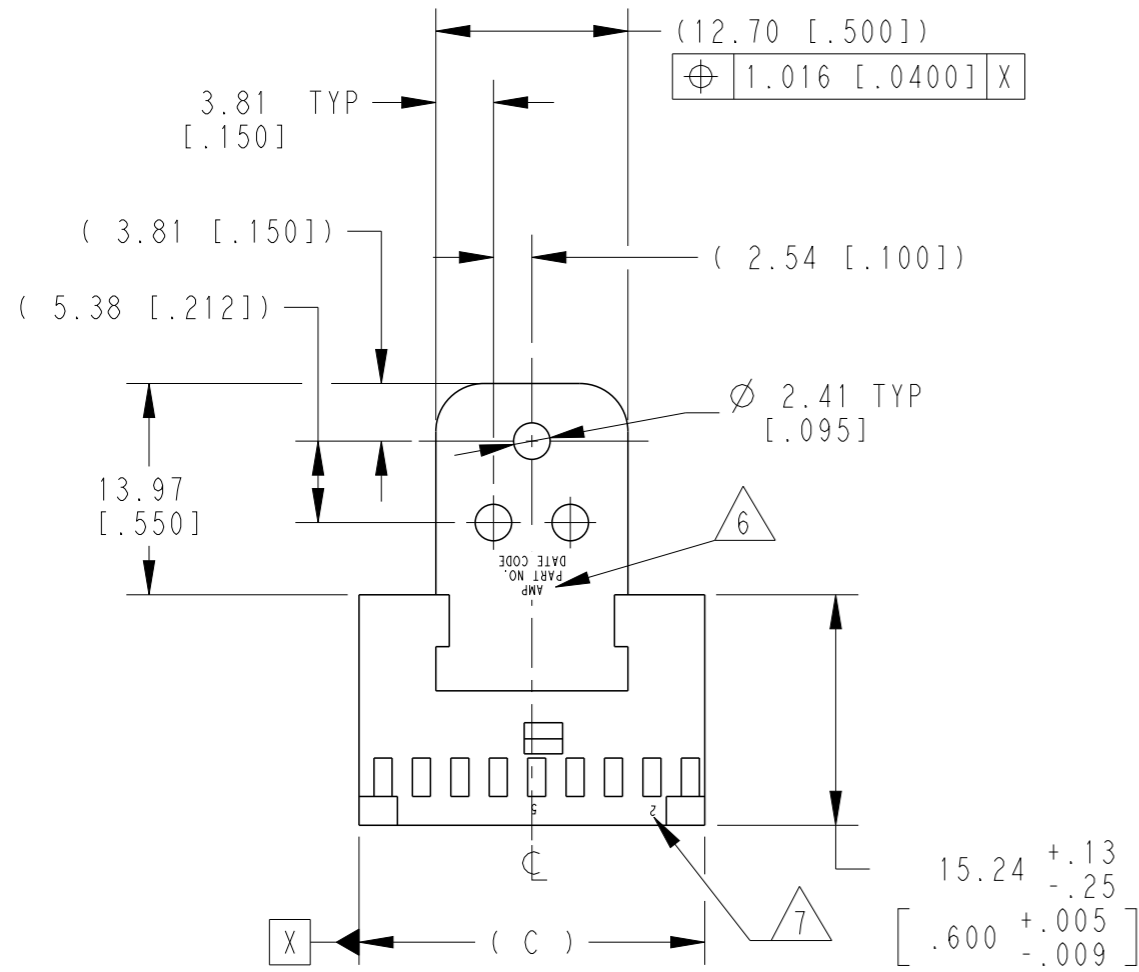
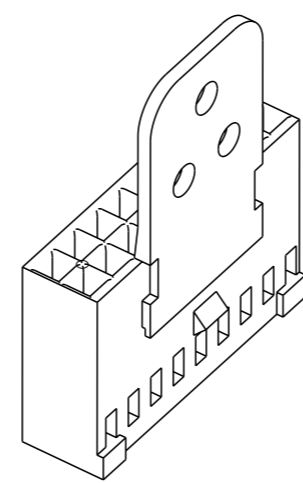


P	LTR	DESCRIPTION	DATE	DWN	APVD
J1		REVISED PER ECO-08-020746	21AUG08	HMR	FD
K		REVISED PER ECO-18-000976	13APR2018	RS	JO
L		HOUSING MATERIAL CHANGE TO LCP	11OCT2024	KS	PS
M		RESIN AND DESIGN REVERTED TO REVISION K	16FEB2026	RS	GVP

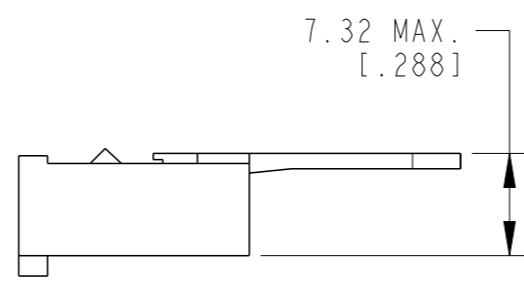
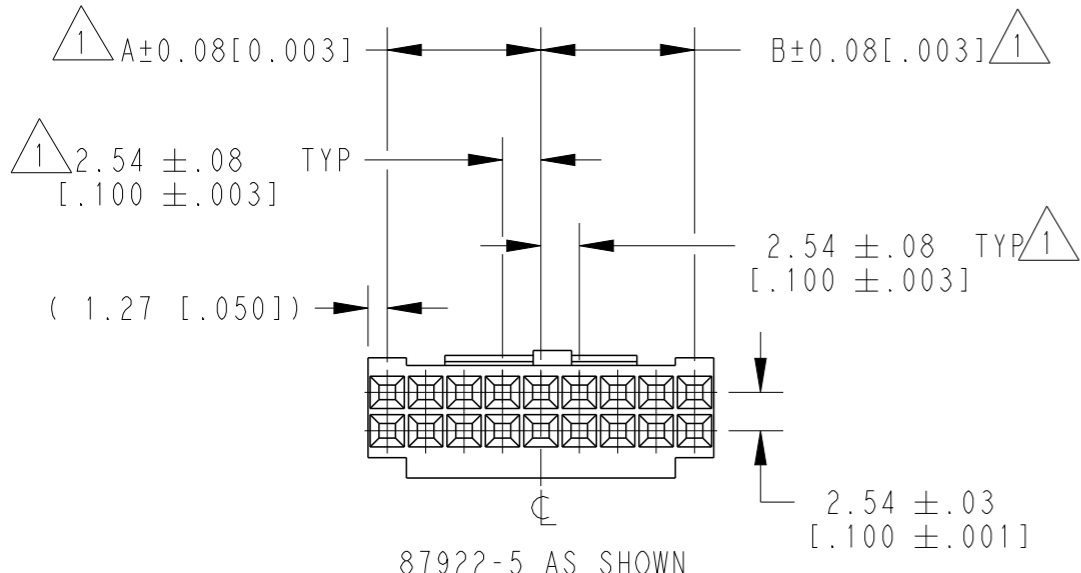


87922-5
SCALE 1:1



- 1 CAVITY LOCATION DIMENSIONS INCREASE IN INCREMENTS OF 2.54[.100], TOLERANCE NON-CUMULATIVE.
- 2 USE EXTRACTION TOOL 91052-1 TO REMOVE RECEPTACLE CONTACTS.
- 3 THIS HOUSING IS COMPATIBLE WITH MOD II SHROUDED HEADERS.
- 4 HOUSING WILL ACCOMODATE ALL MOD IV, IV.5 AND MOD V CONTACTS.
- 5 OBSOLETE PART NUMBER
- 6 'AMP', PART NO. AND DATE CODE MARKED AS SHOWN.
- 7 MARK SECOND AND EVERY FIFTH CAVITY, AS SHOWN.
- 8 FLAME RETARDANT GLASS FILLED PA66, COLOR: BLACK

NONE	22.86 [.900]	10.16 [.400]	10.16 [.400]	18	1-87922-0
NONE	20.32 [.800]	7.62 [.300]	10.16 [.400]	16	87922-9
NONE	17.78 [.700]	7.62 [.300]	7.62 [.300]	14	87922-8
NONE	15.24 [.600]	5.08 [.200]	7.62 [.300]	12	87922-7
NONE	12.70 [.500]	5.08 [.200]	5.08 [.200]	10	87922-6
ALL	22.86 [.900]	10.16 [.400]	10.16 [.400]	18	87922-5
ALL	20.32 [.800]	7.62 [.300]	10.16 [.400]	16	87922-4
ALL	17.78 [.700]	7.62 [.300]	7.62 [.300]	14	87922-3
ALL	15.24 [.600]	5.08 [.200]	7.62 [.300]	12	87922-2
ALL	12.70 [.500]	5.08 [.200]	5.08 [.200]	10	87922-1
MARKING	C	B	A	NO OF POSN	PART NUMBER



87922-5 AS SHOWN

THIS DRAWING IS A CONTROLLED DOCUMENT.

DWN E. BRANDBERG 6OCT1994
CHK P. SREMCICH 6OCT1994
APVD -

NAME HOUSING ASSY, MOD IV DBL, ROW, 2.54[.100] W/ STRAIN RELIEF

PRODUCT SPEC 108-25020
APPLICATION SPEC 114-25003
WEIGHT -

SIZE A3 CAGE CODE 00779 DRAWING NO C-87922 RESTRICTED TO -

CUSTOMER DRAWING SCALE 2:1 SHEET 1 OF 1 REV M

DIMENSIONS: mm [INCHES]
TOLERANCES UNLESS OTHERWISE SPECIFIED:
0 PLC ±-
1 PLC ±-
2 PLC ±-
3 PLC ±0.13[0.005]
4 PLC ±-
ANGLES ±0° 30'
MATERIAL FINISH -

8

TE TE Connectivity