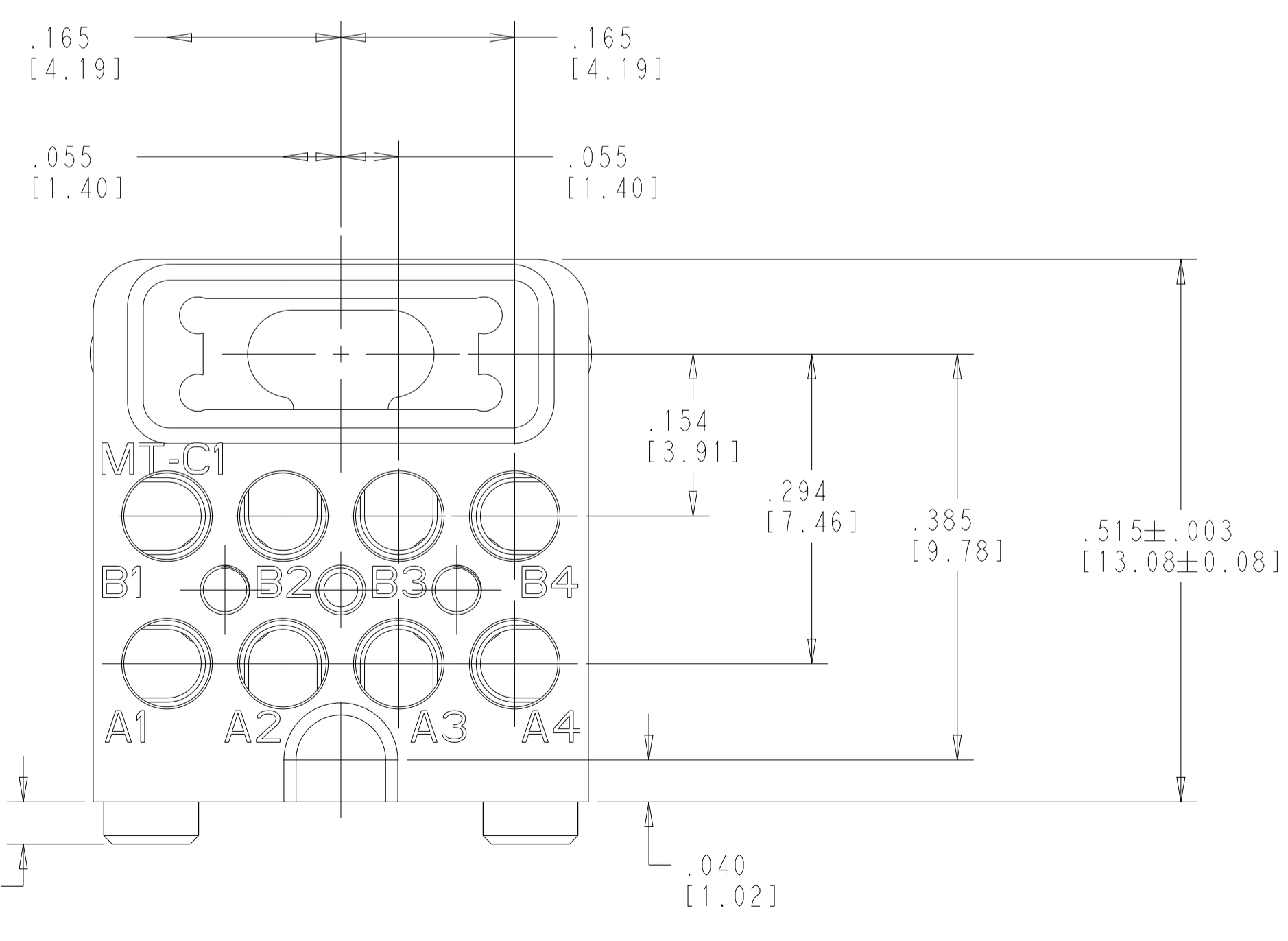
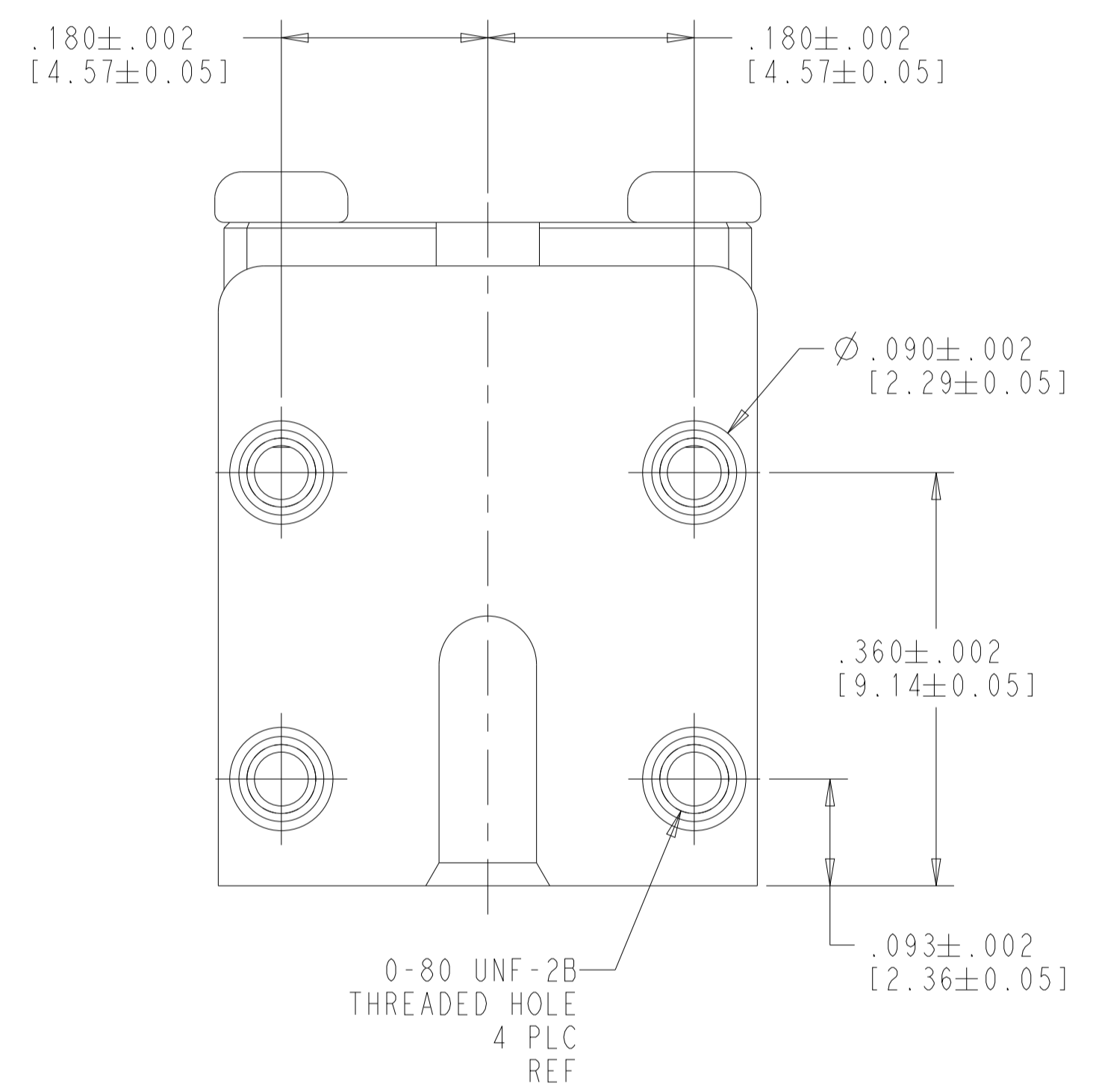
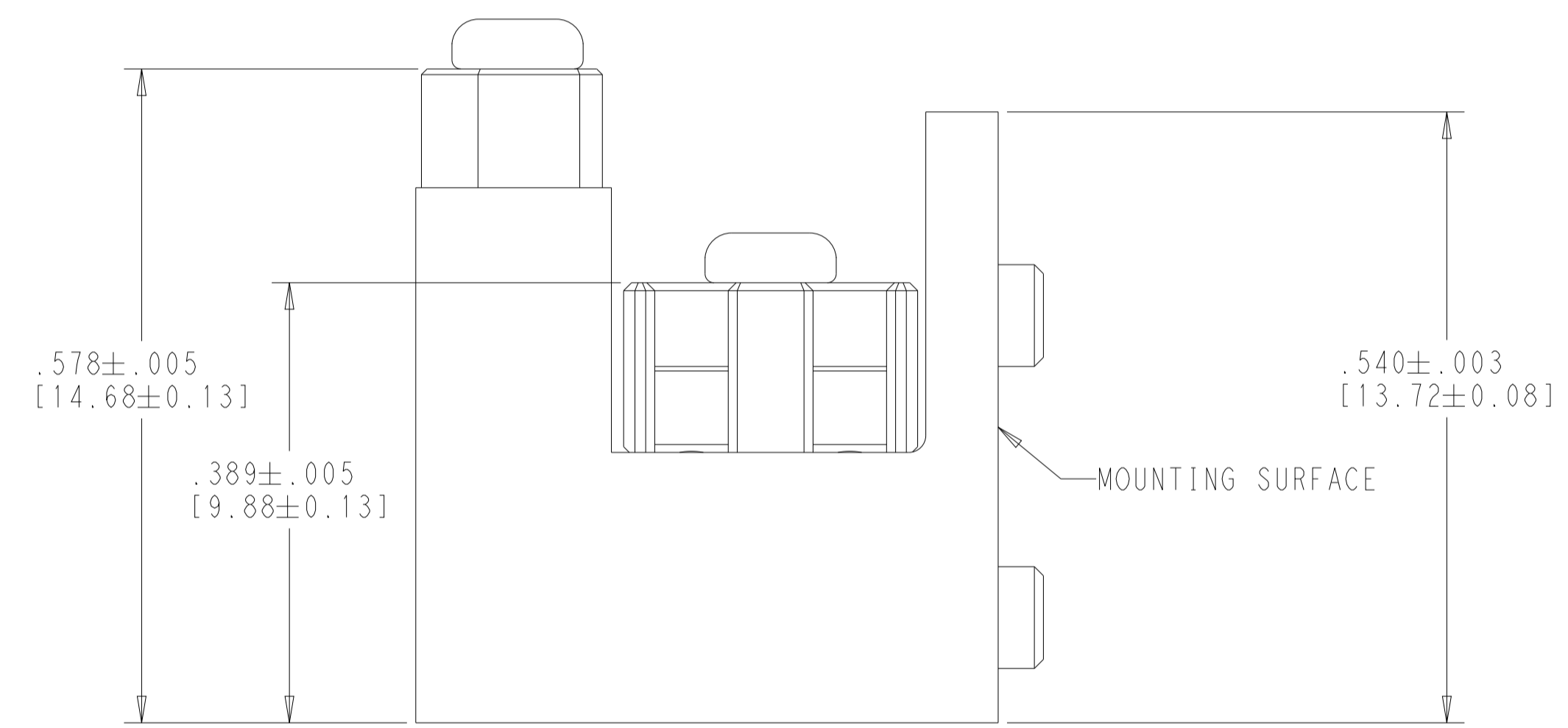
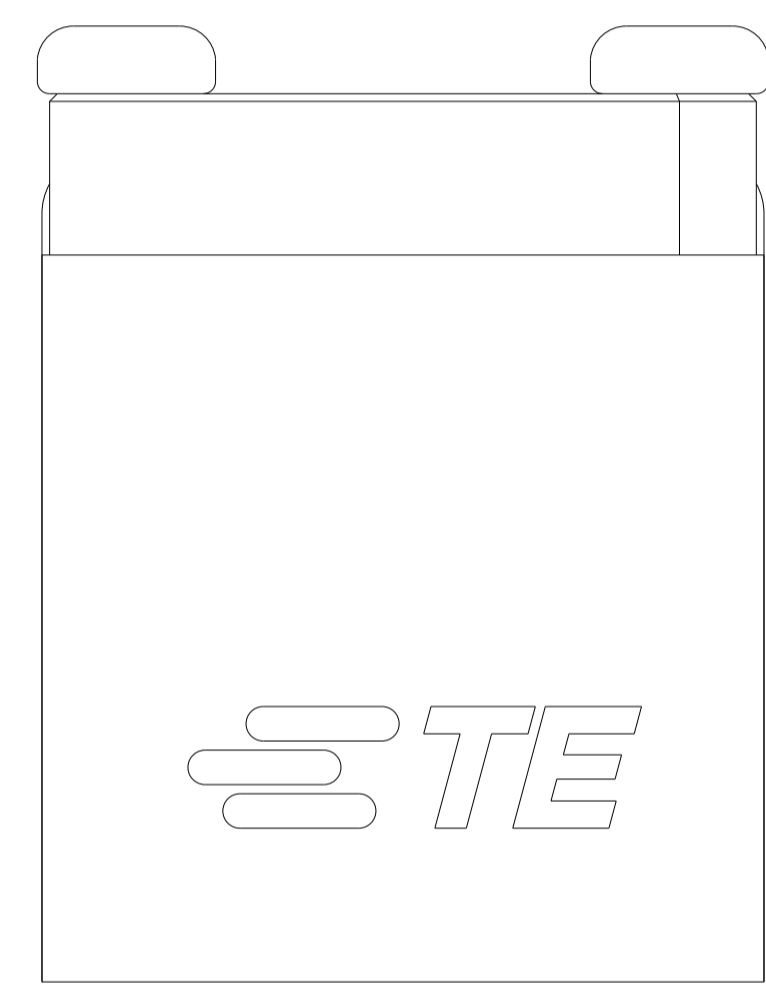
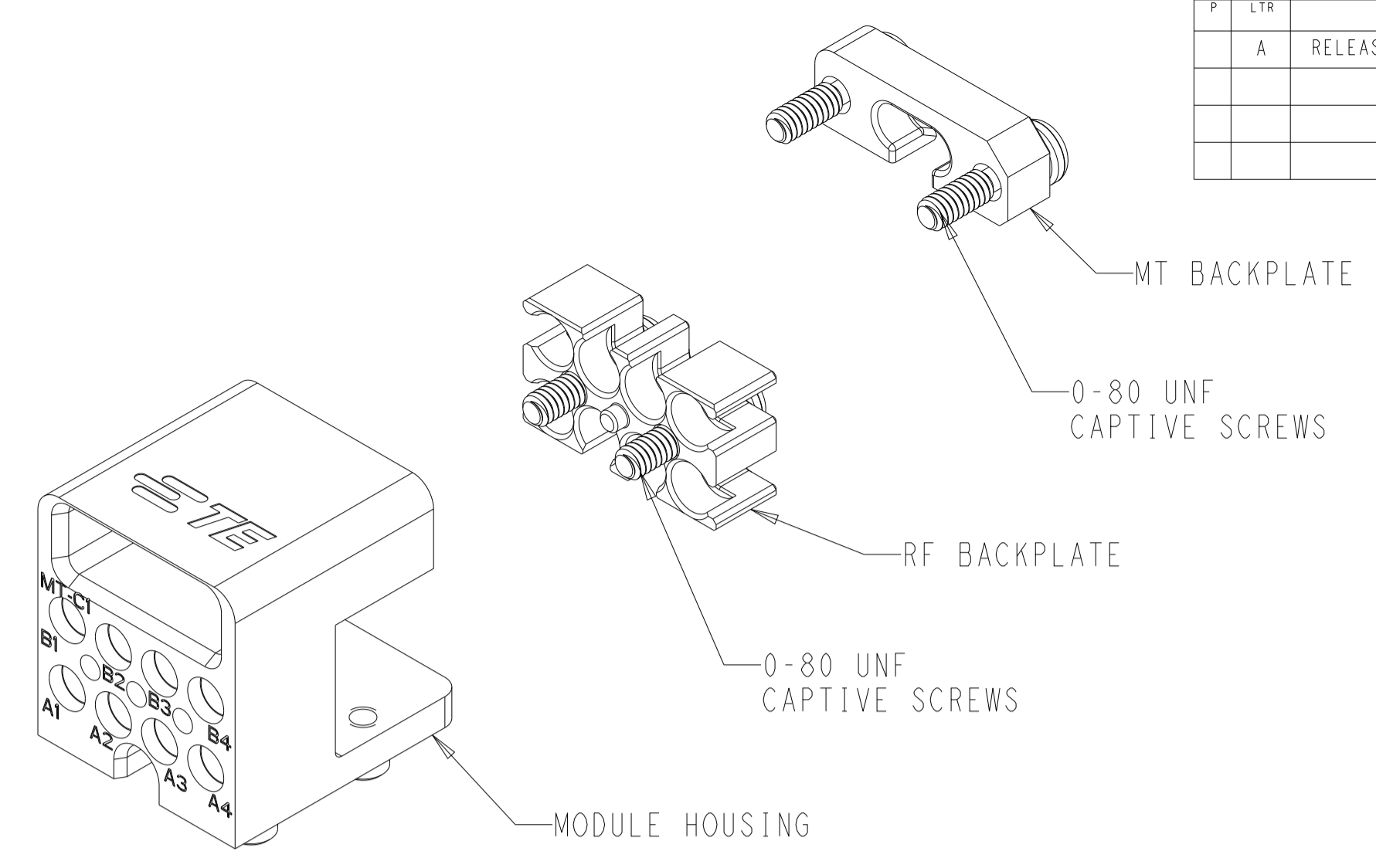
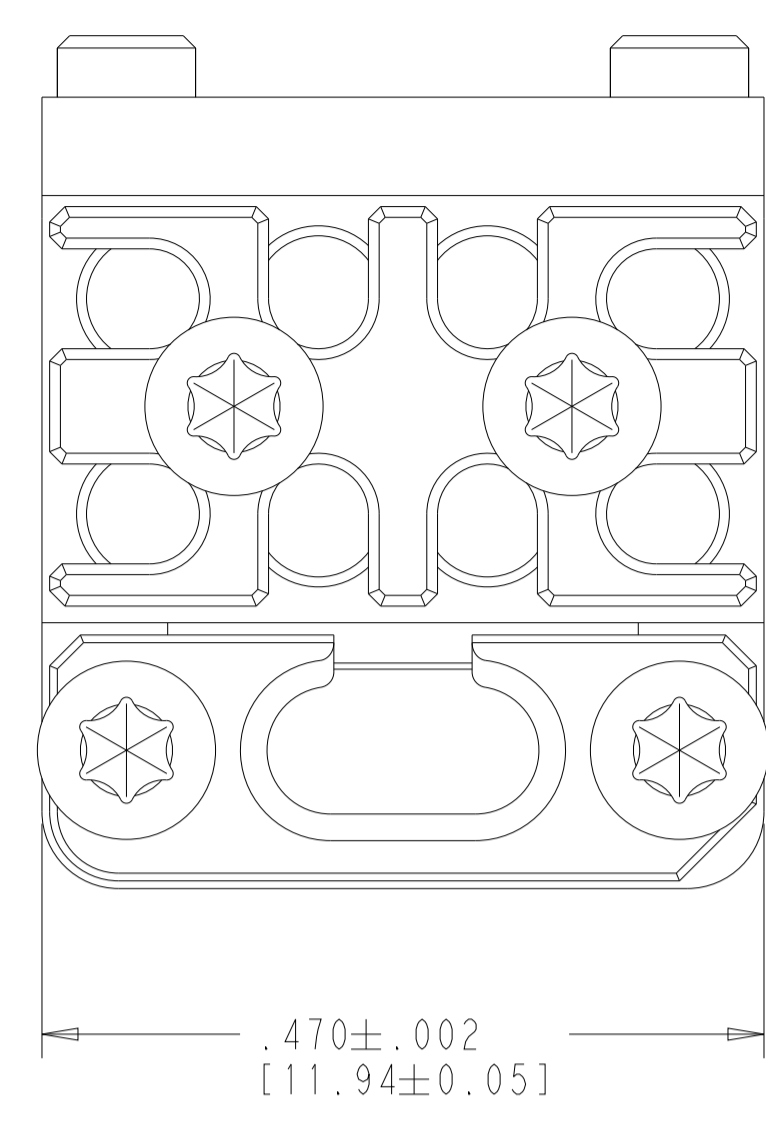


REVISIONS				
P	LTN	DESCRIPTION	DATE	OWN APVD
A		RELEASED PER ECN-25-336314	20AUG2025	LS CG



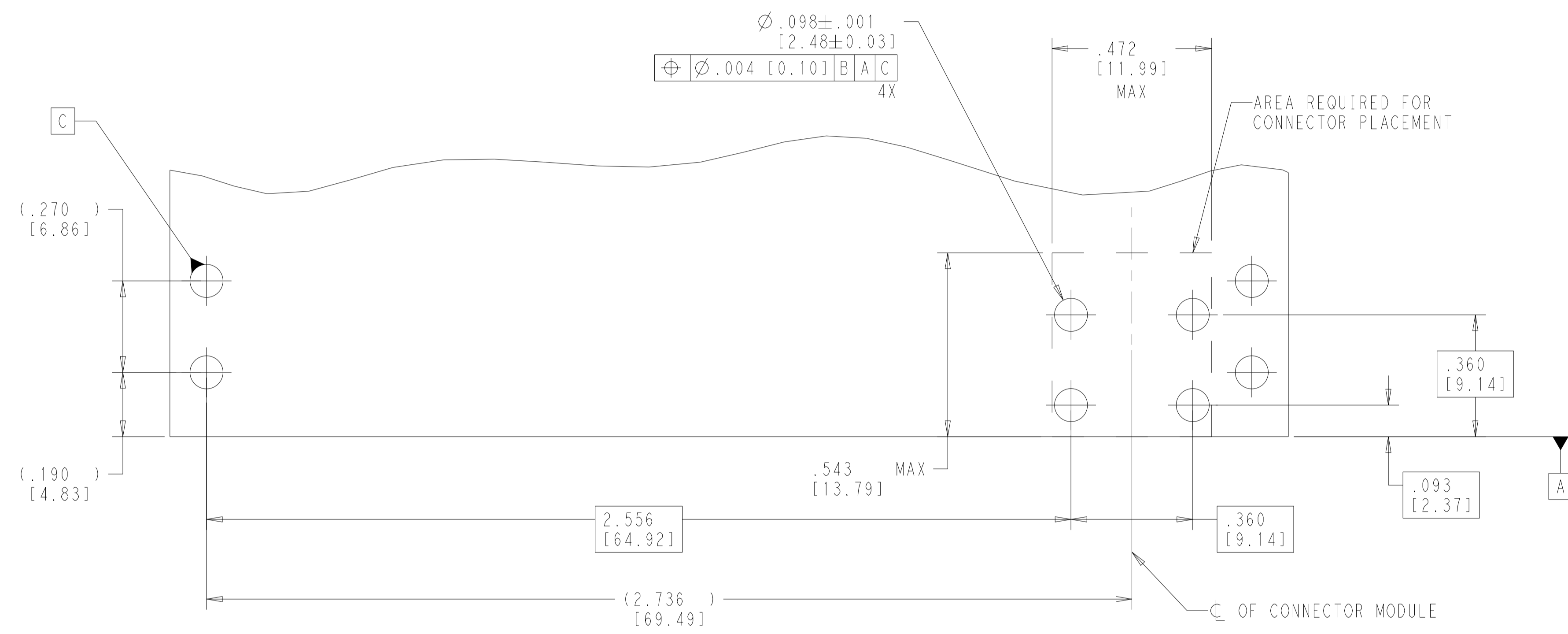
- 1 MATERIAL:
MODULE HOUSING AND BACKPLATES - ALUMINUM ALLOY 7075
SCREW - 300 SERIES STAINLESS STEEL
- 2 FINISH:
MODULE HOUSING AND BACKPLATES - CLEAR CHROMATE CONVERSION COATING
PER MIL-DTL-5541 (TYPE II, CLASS 3)
SCREW - PASSIVATED
- 3. SHIPPED IN KIT FORM. CAPTIVE SCREWS TO BE ASSEMBLED TO BACKPLATES.
- 4 CIRCUIT IDENTIFICATION MARKING
- 5. DESIGNED TO BE USED WITH NanoRF CONTACTS 2302339-1 AND MT FERRULE KIT 2375154-1 (12 FIBER) OR 2375154-2 (24 FIBER).
- 6 PRODUCT SPEC:
NanoRF: 108-163037
MT FIBER OPTIC: 108-163029
VNX+ MODULAR CONNECTOR: 108-161765
- 7 APPLICATION SPEC:
NanoRF: 408-163038
MT FIBER OPTIC: 114-163023
VNX+ MODULAR CONNECTOR: 114-161468

JURISDICTION	EAR
CLASSIFICATION	EAR99
DATE OF MARKING	01AUG2025
WARNING - THIS DOCUMENT CONTAINS TECHNOLOGY WHOSE EXPORT IS RESTRICTED BY THE EXPORT ADMINISTRATION REGULATIONS ("EAR") PURSUANT TO 15 C.F.R. PARTS 730-774. VIOLATIONS OF THE EAR ARE SUBJECT TO SEVERE CRIMINAL PENALTIES UNDER THE EXPORT CONTROL REFORM ACT, AS AMENDED (TITLE 50, U.S.C., SEC. 4801, ET SEQ.).	

2468384-1
PART NO

THIS DRAWING IS A CONTROLLED DOCUMENT.		OWN	23SEP2024	
DIMENSIONS: INCHES [mm]		CHK	M.CINDRIC	
TOLERANCES UNLESS OTHERWISE SPECIFIED:		APVD		NAME ASSEMBLY, MODULE, 50 OHM NanoRF, OPTICAL, HYBRID, DAUGHTERCARD, VITA 90.7
0 PLC ±		PRODUCT SPEC	6	
1 PLC ±		APPLICATION SPEC	7	SIZE CAGE CODE DRAWING NO RESTRICTED TO A 00779 ©=2468384
2 PLC ±		WEIGHT		
3 PLC ±.004[0.10]		CUSTOMER DRAWING		SCALE 8:1 SHEET 1 OF 2 REV A
4 PLC ±				
ANGLES ±				
FINISH				

REVISIONS				
P	LTN	DESCRIPTION	DATE	APVD
-		SEE SHEET 1	-	-



REF PCB LAYOUT - SEE VITA 90.7 FIGURE 7.3.1-1
SCALE 4:1

JURISDICTION	EAR
CLASSIFICATION	EAR99
DATE OF MARKING	01AUG2025

WARNING - THIS DOCUMENT CONTAINS TECHNOLOGY WHOSE EXPORT IS RESTRICTED BY THE EXPORT ADMINISTRATION REGULATIONS ("EAR") PURSUANT TO 15 C.F.R. PARTS 730-774. VIOLATIONS OF THE EAR ARE SUBJECT TO SEVERE CRIMINAL PENALTIES UNDER THE EXPORT CONTROL REFORM ACT, AS AMENDED (TITLE 50, U.S.C., SEC. 4801, ET SEQ.).

THIS DRAWING IS A CONTROLLED DOCUMENT.		OWN	L.SIPE	23SEP2024
DIMENSIONS: INCHES [mm]		CHK	M.CINDRIC	
TOLERANCES UNLESS OTHERWISE SPECIFIED:		APVD		
0 PLC	±	NAME		
1 PLC	±	ASSEMBLY, MODULE, 50 OHM NanoRF,		
2 PLC	±	OPTICAL, HYBRID, DAUGHTERCARD,		
3 PLC	±.004[0.10]	VITA 90.7		
4 PLC	±	SIZE	CAGE CODE	DRAWING NO
ANGLES	±	A	00779	2468384
FINISH		WEIGHT		RESTRICTED TO
				-
MATERIAL		CUSTOMER DRAWING		SCALE 8:1 SHEET 2 OF 2 REV A