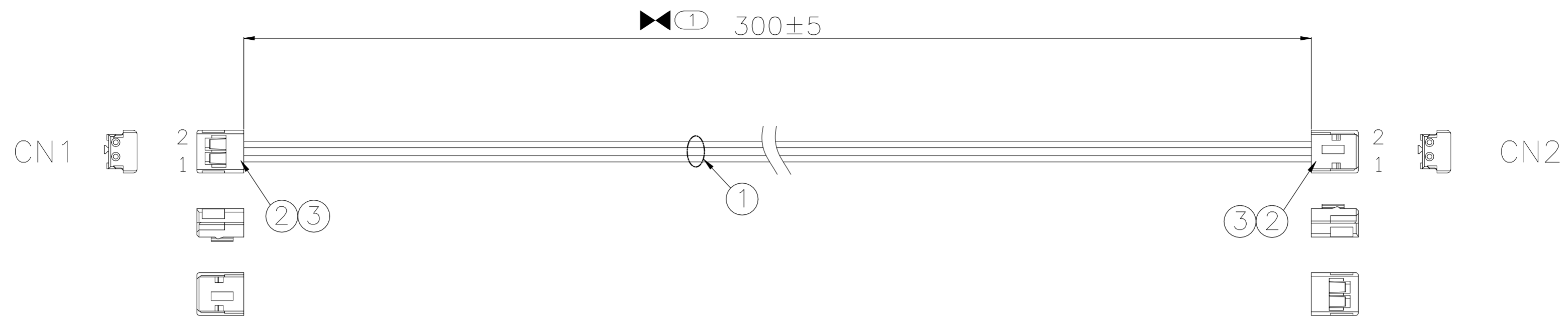


REVISIONS					
P	LTR	DESCRIPTION	DATE	DWN	APVD
A1		REVISED PER ECN-22-161713	29JUN2022	AP	YX



PIN CONNECTION			
CN.1	WIRE SPEC	WIRE COLOR	CN.2
1	24AWG	ORANGE	1
2	24AWG	ORANGE	2

NOTES:

1. "▲" SHOWS CPK MEASUREMENT ITEMS. (1 PLACES)
2. "⊛" SHOWS FAI MEASUREMENT ITEMS. (1 PLACES)
3. ELECTRICAL TEST:
 - 3.1.OPEN/SHORT:100% TEST
 - 3.2.CONTACT RESISTANCE: 2 OHMS(MAX.)
 - 3.3.INSULATION RESISTANCE: 10M OHMS(MIN.)
 - 3.4.HI-POT: 300VDC/0.1S
4. ALL MATERIALS CAN USE EQUIVALENT, BUT ANY ENGINEERING CHANGE OR REPLACEMENT MUST GET THE APPROVAL FROM TE ENGINEERING TEAM OR CUSTOMER.
5. ALL MATERIALS, COMPONENTS AND PROCESS SHALL COMPLY WITH TEC-138-702.
6. NO REACH SvHC SHALL BE CONTAINED ABOVE THE THRESHOLD AS DEFINED IN REACH SvHC COMPLIANCE DEFINITION IN ANNEX A OF TEC-138-702.

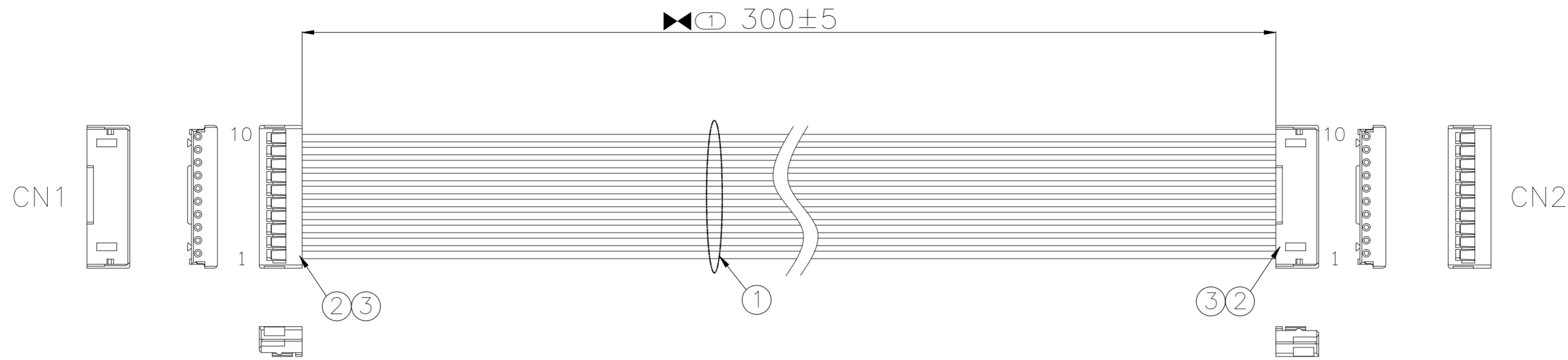
2405869-1

TE P/N

2	PC	AMP CT, PITCH 2.0MM HOUSING 2 POSITION, BLUE	3
4	PC	AMP CT, CONNECTOR CONTACT,26-22AWG WIRE PRE-TINL	2
AR	M	24AWG 80°C 300V ORANGE	1
Q'TY	U/M	DESCRIPTION	ITEM



THIS DRAWING IS A CONTROLLED DOCUMENT.		DWN	JOE XIAO	03MAR2022	
		CHK	WILLIAM YAO	03MAR2022	
		APVD	WILLIAM YAO	03MAR2022	
		PRODUCT SPEC			
DIMENSIONS: mm 		TOLERANCES UNLESS OTHERWISE SPECIFIED: 0 PLC ± - 1 PLC ± - 2 PLC ± - 3 PLC ± - 4 PLC ± - ANGLES ± -		NAME PITCH 2.0 TO PITCH 2.0 CABLE ASSEMBLY, L=300MM	
MATERIAL		FINISH		WEIGHT	SCALE
					A2 00779 C=2405869
CUSTOMER DRAWING				SCALE	N.T.S
				SHEET	1 of 8
				REV	A1

REVISIONS				
P	LTR	DESCRIPTION	DATE	APVD
-	-	SEE SHEET 1	-	-




PIN CONNECTION			
CN.1	WIRE SPEC	WIRE COLOR	CN.2
1	24AWG	ORANGE	1
2	24AWG	ORANGE	2
3	24AWG	ORANGE	3
4	24AWG	ORANGE	4
5	24AWG	ORANGE	5
6	24AWG	ORANGE	6
7	24AWG	ORANGE	7
8	24AWG	ORANGE	8
9	24AWG	ORANGE	9
10	24AWG	ORANGE	10

NOTES:

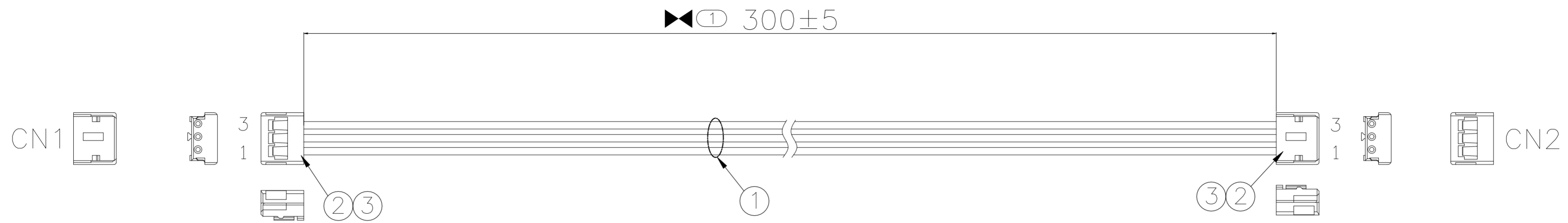
- "" SHOWS CPK MEASUREMENT ITEMS. (1 PLACES)
- "" SHOWS FAI MEASUREMENT ITEMS. (1 PLACES)
- ELECTRICAL TEST:
 - 3.1.OPEN/SHORT:100% TEST
 - 3.2.CONTACT RESISTANCE: 2 OHMS(MAX.)
 - 3.3.INSULATION RESISTANCE: 10M OHMS(MIN.)
 - 3.4.HI-POT: 300VDC/0.1S
- ALL MATERIALS CAN USE EQUIVALENT, BUT ANY ENGINEERING CHANGE OR REPLACEMENT MUST GET THE APPROVAL FROM TE ENGINEERING TEAM OR CUSTOMER.
- ALL MATERIALS, COMPONENTS AND PROCESS SHALL COMPLY WITH TEC-138-702.
- NO REACH SvHC SHALL BE CONTAINED ABOVE THE THRESHOLD AS DEFINED IN REACH SvHC COMPLIANCE DEFINITION IN ANNEX A OF TEC-138-702.

2405869-2
TE P/N

2	PC	AMP CT, PITCH 2.0MM HOUSING 10 POSITION, BLUE	3
20	PC	AMP CT, CONNECTOR CONTACT,26-22AWG WIRE PRE-TINL	2
AR	M	24AWG 80°C 300V ORANGE	1
Q'TY	U/M	DESCRIPTION	ITEM

THIS DRAWING IS A CONTROLLED DOCUMENT.		DWN JOE XIAO 03MAR2022	 TE Connectivity Ltd.																			
DIMENSIONS: mm		CHK WILLIAM YAO 03MAR2022																				
TOLERANCES UNLESS OTHERWISE SPECIFIED:		APVD WILLIAM YAO 03MAR2022	NAME PITCH 2.0 TO PITCH 2.0 CABLE ASSEMBLY, L=300MM																			
<table border="1"> <tr><td>0 PLC</td><td>±</td><td>-</td></tr> <tr><td>1 PLC</td><td>±</td><td>-</td></tr> <tr><td>2 PLC</td><td>±</td><td>-</td></tr> <tr><td>3 PLC</td><td>±</td><td>-</td></tr> <tr><td>4 PLC</td><td>±</td><td>-</td></tr> <tr><td>ANGLES</td><td>±</td><td>-</td></tr> </table>		0 PLC	±	-	1 PLC	±	-	2 PLC	±	-	3 PLC	±	-	4 PLC	±	-	ANGLES	±	-	PRODUCT SPEC -	RESTRICTED TO -	
0 PLC	±	-																				
1 PLC	±	-																				
2 PLC	±	-																				
3 PLC	±	-																				
4 PLC	±	-																				
ANGLES	±	-																				
MATERIAL -		FINISH -	WEIGHT 0	SCALE A2																		
		CAGE CODE 00779		DRAWING NO C=2405869																		
		CUSTOMER DRAWING		SCALE N.T.S																		
		SHEET 2 of 8		REV A1																		

REVISIONS				
P	LTR	DESCRIPTION	DATE	APVD
-	-	SEE SHEET 1	-	-



PIN CONNECTION			
CN.1	WIRE SPEC	WIRE COLOR	CN.2
1	24AWG	ORANGE	1
2	24AWG	ORANGE	2
3	24AWG	ORANGE	3

NOTES:

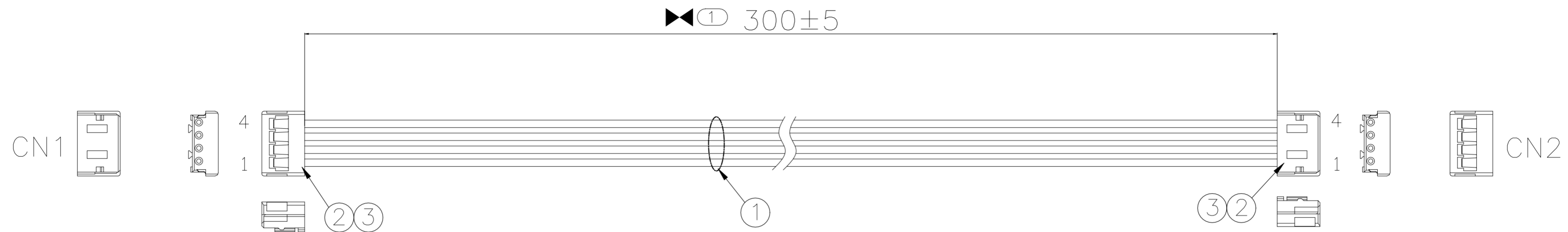
- "▶▶" SHOWS CPK MEASUREMENT ITEMS. (1 PLACES)
- "⊕" SHOWS FAI MEASUREMENT ITEMS. (1 PLACES)
- ELECTRICAL TEST:
 - OPEN/SHORT:100% TEST
 - CONTACT RESISTANCE: 2 OHMS(MAX.)
 - INSULATION RESISTANCE: 10M OHMS(MIN.)
 - HI-POT: 300VDC/0.1S
- ALL MATERIALS CAN USE EQUIVALENT, BUT ANY ENGINEERING CHANGE OR REPLACEMENT MUST GET THE APPROVAL FROM TE ENGINEERING TEAM OR CUSTOMER.
- ALL MATERIALS, COMPONENTS AND PROCESS SHALL COMPLY WITH TEC-138-702.
- NO REACH SVHC SHALL BE CONTAINED ABOVE THE THRESHOLD AS DEFINED IN REACH SVHC COMPLIANCE DEFINITION IN ANNEX A OF TEC-138-702.

2405869-3
TE P/N

Q'TY	U/M	DESCRIPTION	ITEM
2	PC	AMP CT, PITCH 2.0MM HOUSING 3 POSITION, BLUE	3
6	PC	AMP CT, CONNECTOR CONTACT,26-22AWG WIRE PRE-TINL	2
AR	M	24AWG 80°C 300V ORANGE	1

THIS DRAWING IS A CONTROLLED DOCUMENT.		DWN JOE XIAO 03MAR2022	TE Connectivity Ltd.																			
DIMENSIONS: mm		CHK WILLIAM YAO 03MAR2022																				
TOLERANCES UNLESS OTHERWISE SPECIFIED:		APVD WILLIAM YAO 03MAR2022	NAME PITCH 2.0 TO PITCH 2.0 CABLE ASSEMBLY, L=300MM																			
<table border="1"> <tr><td>0 PLC</td><td>±</td><td>-</td></tr> <tr><td>1 PLC</td><td>±</td><td>-</td></tr> <tr><td>2 PLC</td><td>±</td><td>-</td></tr> <tr><td>3 PLC</td><td>±</td><td>-</td></tr> <tr><td>4 PLC</td><td>±</td><td>-</td></tr> <tr><td>ANGLES</td><td>±</td><td>-</td></tr> </table>		0 PLC	±	-	1 PLC	±	-	2 PLC	±	-	3 PLC	±	-	4 PLC	±	-	ANGLES	±	-	PRODUCT SPEC -	SIZE A2	
0 PLC	±	-																				
1 PLC	±	-																				
2 PLC	±	-																				
3 PLC	±	-																				
4 PLC	±	-																				
ANGLES	±	-																				
MATERIAL -		FINISH -	APPLICATION SPEC -	CAGE CODE 00779																		
		WEIGHT 0	DRAWING NO C=2405869	RESTRICTED TO -																		
CUSTOMER DRAWING			SCALE N.T.S	SHEET 3 of 8																		
			REV A1																			

REVISIONS					
P	LTR	DESCRIPTION	DATE	DWN	APVD
-	-	SEE SHEET 1	-	-	-



PIN CONNECTION			
CN.1	WIRE SPEC	WIRE COLOR	CN.2
1	24AWG	ORANGE	1
2	24AWG	ORANGE	2
3	24AWG	ORANGE	3
4	24AWG	ORANGE	4

NOTES:

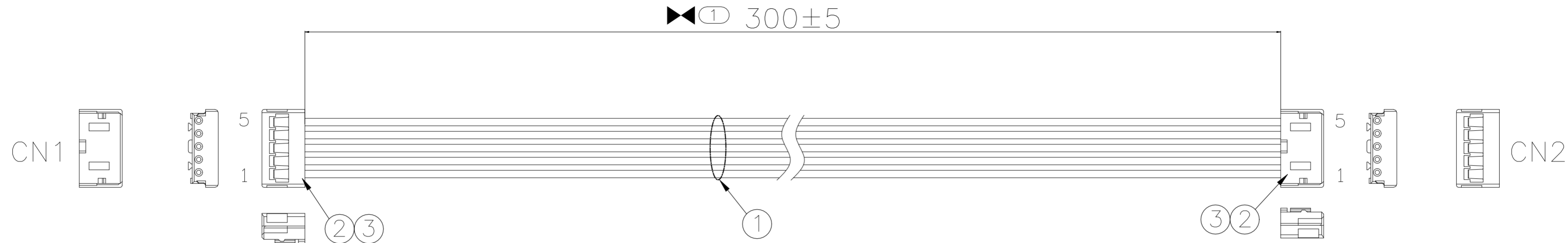
1. "▲" SHOWS CPK MEASUREMENT ITEMS. (1 PLACES)
2. "⊛" SHOWS FAI MEASUREMENT ITEMS. (1 PLACES)
3. ELECTRICAL TEST:
 - 3.1.OPEN/SHORT:100% TEST
 - 3.2.CONTACT RESISTANCE: 2 OHMS(MAX.)
 - 3.3.INSULATION RESISTANCE: 10M OHMS(MIN.)
 - 3.4.HI-POT: 300VDC/0.1S
4. ALL MATERIALS CAN USE EQUIVALENT, BUT ANY ENGINEERING CHANGE OR REPLACEMENT MUST GET THE APPROVAL FROM TE ENGINEERING TEAM OR CUSTOMER.
5. ALL MATERIALS, COMPONENTS AND PROCESS SHALL COMPLY WITH TEC-138-702.
6. NO REACH SVHC SHALL BE CONTAINED ABOVE THE THRESHOLD AS DEFINED IN REACH SVHC COMPLIANCE DEFINITION IN ANNEX A OF TEC-138-702.

2405869-4
TE P/N

Q'TY	U/M	DESCRIPTION	ITEM
2	PC	AMP CT, PITCH 2.0MM HOUSING 4 POSITION, BLUE	3
8	PC	AMP CT, CONNECTOR CONTACT,26-22AWG WIRE PRE-TINL	2
AR	M	24AWG 80°C 300V ORANGE	1

THIS DRAWING IS A CONTROLLED DOCUMENT.		DWN JOE XIAO 03MAR2022	TE Connectivity Ltd.																			
DIMENSIONS: mm		CHK WILLIAM YAO 03MAR2022																				
TOLERANCES UNLESS OTHERWISE SPECIFIED:		APVD WILLIAM YAO 03MAR2022	NAME PITCH 2.0 TO PITCH 2.0 CABLE ASSEMBLY, L=300MM																			
<table border="1"> <tr><td>0 PLC</td><td>±</td><td>-</td></tr> <tr><td>1 PLC</td><td>±</td><td>-</td></tr> <tr><td>2 PLC</td><td>±</td><td>-</td></tr> <tr><td>3 PLC</td><td>±</td><td>-</td></tr> <tr><td>4 PLC</td><td>±</td><td>-</td></tr> <tr><td>ANGLES</td><td>±</td><td>-</td></tr> </table>		0 PLC	±	-	1 PLC	±	-	2 PLC	±	-	3 PLC	±	-	4 PLC	±	-	ANGLES	±	-	PRODUCT SPEC -	RESTRICTED TO -	
0 PLC	±	-																				
1 PLC	±	-																				
2 PLC	±	-																				
3 PLC	±	-																				
4 PLC	±	-																				
ANGLES	±	-																				
MATERIAL -		FINISH -	WEIGHT 0	SCALE A2																		
		CAGE CODE 00779		DRAWING NO C=2405869																		
		CUSTOMER DRAWING		REVISION N.T.S																		
		SHEET 4 OF 8		REV A1																		

REVISIONS				
P	LTR	DESCRIPTION	DATE	APVD
-	-	SEE SHEET 1	-	-



PIN CONNECTION			
CN.1	WIRE SPEC	WIRE COLOR	CN.2
1	24AWG	ORANGE	1
2	24AWG	ORANGE	2
3	24AWG	ORANGE	3
4	24AWG	ORANGE	4
5	24AWG	ORANGE	5

NOTES:

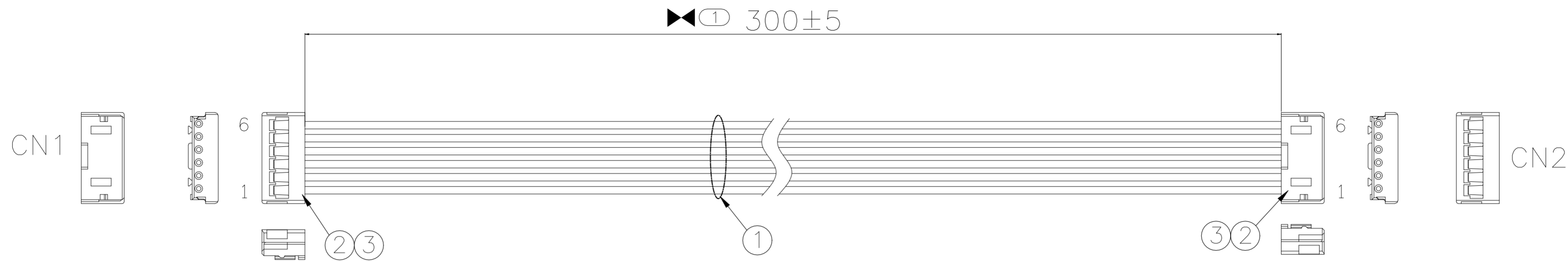
- "" SHOWS CPK MEASUREMENT ITEMS. (1 PLACES)
- "" SHOWS FAI MEASUREMENT ITEMS. (1 PLACES)
- ELECTRICAL TEST:
 - OPEN/SHORT:100% TEST
 - CONTACT RESISTANCE: 2 OHMS(MAX.)
 - INSULATION RESISTANCE: 10M OHMS(MIN.)
 - HI-POT: 300VDC/0.1S
- ALL MATERIALS CAN USE EQUIVALENT, BUT ANY ENGINEERING CHANGE OR REPLACEMENT MUST GET THE APPROVAL FROM TE ENGINEERING TEAM OR CUSTOMER.
- ALL MATERIALS, COMPONENTS AND PROCESS SHALL COMPLY WITH TEC-138-702.
- NO REACH SVHC SHALL BE CONTAINED ABOVE THE THRESHOLD AS DEFINED IN REACH SVHC COMPLIANCE DEFINITION IN ANNEX A OF TEC-138-702.

2405869-5
TE P/N

Q'TY	U/M	DESCRIPTION	ITEM
2	PC	AMP CT, PITCH 2.0MM HOUSING 5 POSITION, BLUE	3
10	PC	AMP CT, CONNECTOR CONTACT,26-22AWG WIRE PRE-TINL	2
AR	M	24AWG 80°C 300V ORANGE	1



THIS DRAWING IS A CONTROLLED DOCUMENT.		DWN JOE XIAO 03MAR2022	TE Connectivity Ltd.	
DIMENSIONS: mm		CHK WILLIAM YAO 03MAR2022		
		APVD WILLIAM YAO 03MAR2022	NAME PITCH 2.0 TO PITCH 2.0 CABLE ASSEMBLY, L=300MM	
TOLERANCES UNLESS OTHERWISE SPECIFIED:		PRODUCT SPEC	SIZE A2	
0 PLC ± -		APPLICATION SPEC	CAGE CODE 00779	DRAWING NO C=2405869
1 PLC ± -		WEIGHT 0	RESTRICTED TO -	
2 PLC ± -		SCALE N.T.S		
3 PLC ± -		SHEET 5 of 8		
4 PLC ± -		REV A1		
ANGLES ± -		CUSTOMER DRAWING		
FINISH		SCALE N.T.S SHEET 5 of 8 REV A1		

REVISIONS				
P	LTR	DESCRIPTION	DATE	APVD
-	-	SEE SHEET 1	-	-




PIN CONNECTION			
CN.1	WIRE SPEC	WIRE COLOR	CN.2
1	24AWG	ORANGE	1
2	24AWG	ORANGE	2
3	24AWG	ORANGE	3
4	24AWG	ORANGE	4
5	24AWG	ORANGE	5
6	24AWG	ORANGE	6

NOTES:

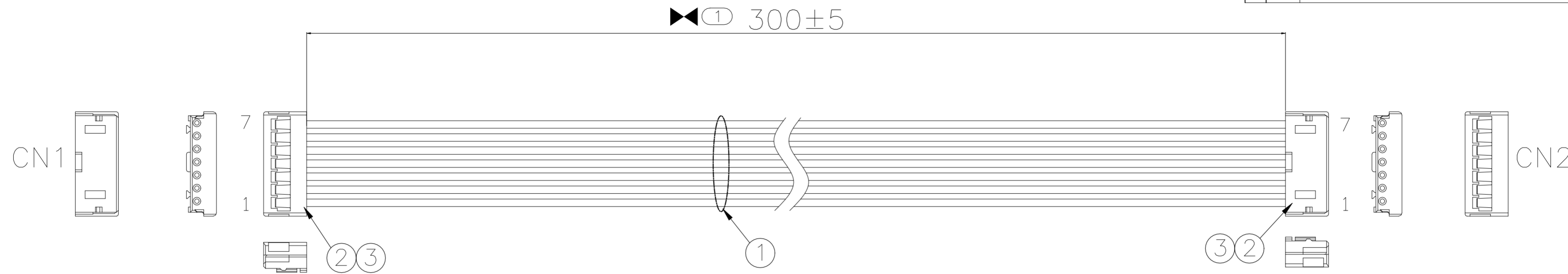
- "" SHOWS CPK MEASUREMENT ITEMS. (1 PLACES)
- "" SHOWS FAI MEASUREMENT ITEMS. (1 PLACES)
- ELECTRICAL TEST:
 - 3.1.OPEN/SHORT:100% TEST
 - 3.2.CONTACT RESISTANCE: 2 OHMS(MAX.)
 - 3.3.INSULATION RESISTANCE: 10M OHMS(MIN.)
 - 3.4.HI-POT: 300VDC/0.1S
- ALL MATERIALS CAN USE EQUIVALENT, BUT ANY ENGINEERING CHANGE OR REPLACEMENT MUST GET THE APPROVAL FROM TE ENGINEERING TEAM OR CUSTOMER.
- ALL MATERIALS, COMPONENTS AND PROCESS SHALL COMPLY WITH TEC-138-702.
- NO REACH SVHC SHALL BE CONTAINED ABOVE THE THRESHOLD AS DEFINED IN REACH SVHC COMPLIANCE DEFINITION IN ANNEX A OF TEC-138-702.

2405869-6
TE P/N

2	PC	AMP CT, PITCH 2.0MM HOUSING 6 POSITION, BLUE	3
12	PC	AMP CT, CONNECTOR CONTACT,26-22AWG WIRE PRE-TINL	2
AR	M	24AWG 80°C 300V ORANGE	1
Q'TY	U/M	DESCRIPTION	ITEM

THIS DRAWING IS A CONTROLLED DOCUMENT.		DWN JOE XIAO 03MAR2022	 TE Connectivity Ltd.	
DIMENSIONS: mm		CHK WILLIAM YAO 03MAR2022		
TOLERANCES UNLESS OTHERWISE SPECIFIED:		APVD WILLIAM YAO 03MAR2022	NAME PITCH 2.0 TO PITCH 2.0 CABLE ASSEMBLY, L=300MM	
0 PLC ± - 1 PLC ± - 2 PLC ± - 3 PLC ± - 4 PLC ± - ANGLES ± -		PRODUCT SPEC -	SIZE A2	
MATERIAL -		FINISH -	CAGE CODE 00779	DRAWING NO C=2405869
		WEIGHT 0	SCALE N.T.S	RESTRICTED TO -
		CUSTOMER DRAWING	SHEET 6 of 8	REV A1

REVISIONS				
P	LTR	DESCRIPTION	DATE	APVD
-	-	SEE SHEET 1	-	-



PIN CONNECTION			
CN.1	WIRE SPEC	WIRE COLOR	CN.2
1	24AWG	ORANGE	1
2	24AWG	ORANGE	2
3	24AWG	ORANGE	3
4	24AWG	ORANGE	4
5	24AWG	ORANGE	5
6	24AWG	ORANGE	6
7	24AWG	ORANGE	7

NOTES:

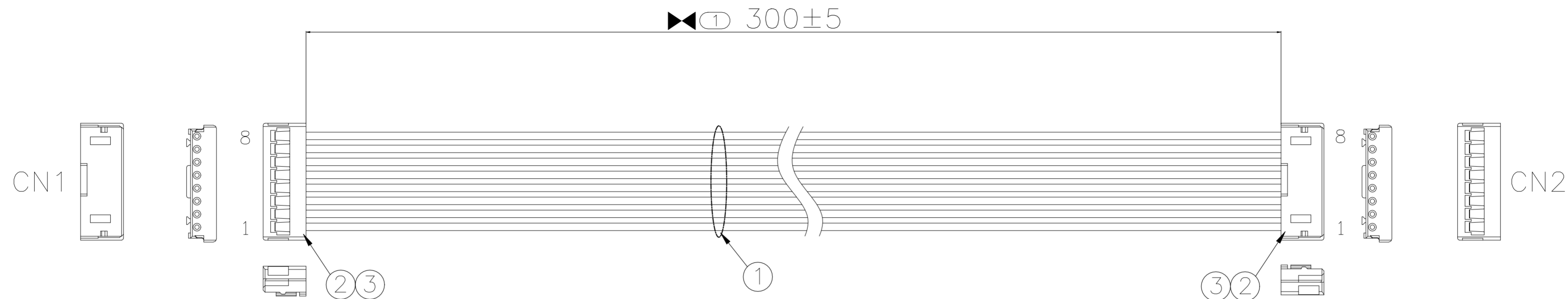
- "▶" SHOWS CPK MEASUREMENT ITEMS. (1 PLACES)
- "⊙*" SHOWS FAI MEASUREMENT ITEMS. (1 PLACES)
- ELECTRICAL TEST:
 - OPEN/SHORT:100% TEST
 - CONTACT RESISTANCE: 2 OHMS(MAX.)
 - INSULATION RESISTANCE: 10M OHMS(MIN.)
 - HI-POT: 300VDC/0.1S
- ALL MATERIALS CAN USE EQUIVALENT, BUT ANY ENGINEERING CHANGE OR REPLACEMENT MUST GET THE APPROVAL FROM TE ENGINEERING TEAM OR CUSTOMER.
- ALL MATERIALS, COMPONENTS AND PROCESS SHALL COMPLY WITH TEC-138-702.
- NO REACH SVHC SHALL BE CONTAINED ABOVE THE THRESHOLD AS DEFINED IN REACH SVHC COMPLIANCE DEFINITION IN ANNEX A OF TEC-138-702.

2405869-7
TE P/N

2	PC	AMP CT, PITCH 2.0MM HOUSING 7 POSITION, BLUE	3
14	PC	AMP CT, CONNECTOR CONTACT,26-22AWG WIRE PRE-TINL	2
AR	M	24AWG 80°C 300V ORANGE	1
Q'TY	U/M	DESCRIPTION	ITEM



THIS DRAWING IS A CONTROLLED DOCUMENT.		DWN JOE XIAO 03MAR2022	TE Connectivity Ltd.																			
DIMENSIONS: mm		CHK WILLIAM YAO 03MAR2022																				
TOLERANCES UNLESS OTHERWISE SPECIFIED:		APVD WILLIAM YAO 03MAR2022	NAME PITCH 2.0 TO PITCH 2.0 CABLE ASSEMBLY, L=300MM																			
<table border="1"> <tr><td>0 PLC</td><td>±</td><td>-</td></tr> <tr><td>1 PLC</td><td>±</td><td>-</td></tr> <tr><td>2 PLC</td><td>±</td><td>-</td></tr> <tr><td>3 PLC</td><td>±</td><td>-</td></tr> <tr><td>4 PLC</td><td>±</td><td>-</td></tr> <tr><td>ANGLES</td><td>±</td><td>-</td></tr> </table>		0 PLC	±	-	1 PLC	±	-	2 PLC	±	-	3 PLC	±	-	4 PLC	±	-	ANGLES	±	-	PRODUCT SPEC -	SIZE A2	CAGE CODE 00779
0 PLC	±	-																				
1 PLC	±	-																				
2 PLC	±	-																				
3 PLC	±	-																				
4 PLC	±	-																				
ANGLES	±	-																				
MATERIAL -		FINISH -	WEIGHT -	DRAWING NO C=2405869																		
CUSTOMER DRAWING			SCALE N.T.S	SHEET 7 of 8																		
			RESTRICTED TO -	REV A1																		

REVISIONS				
P	LTR	DESCRIPTION	DATE	APVD
-	-	SEE SHEET 1	-	-




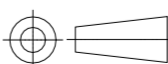
PIN CONNECTION			
CN.1	WIRE SPEC	WIRE COLOR	CN.2
1	24AWG	ORANGE	1
2	24AWG	ORANGE	2
3	24AWG	ORANGE	3
4	24AWG	ORANGE	4
5	24AWG	ORANGE	5
6	24AWG	ORANGE	6
7	24AWG	ORANGE	7
8	24AWG	ORANGE	8

NOTES:

- "" SHOWS CPK MEASUREMENT ITEMS. (1 PLACES)
- "" SHOWS FAI MEASUREMENT ITEMS. (1 PLACES)
- ELECTRICAL TEST:
 - OPEN/SHORT:100% TEST
 - CONTACT RESISTANCE: 2 OHMS(MAX.)
 - INSULATION RESISTANCE: 10M OHMS(MIN.)
 - HI-POT: 300VDC/0.1S
- ALL MATERIALS CAN USE EQUIVALENT, BUT ANY ENGINEERING CHANGE OR REPLACEMENT MUST GET THE APPROVAL FROM TE ENGINEERING TEAM OR CUSTOMER.
- ALL MATERIALS, COMPONENTS AND PROCESS SHALL COMPLY WITH TEC-138-702.
- NO REACH SVHC SHALL BE CONTAINED ABOVE THE THRESHOLD AS DEFINED IN REACH SVHC COMPLIANCE DEFINITION IN ANNEX A OF TEC-138-702.

2405869-8
TE P/N

2	PC	AMP CT, PITCH 2.0MM HOUSING 8 POSITION, BLUE	3
16	PC	AMP CT, CONNECTOR CONTACT,26-22AWG WIRE PRE-TINL	2
AR	M	24AWG 80°C 300V ORANGE	1
Q'TY	U/M	DESCRIPTION	ITEM

THIS DRAWING IS A CONTROLLED DOCUMENT.		DWN JOE XIAO 03MAR2022	 TE Connectivity Ltd.	
DIMENSIONS: mm		CHK WILLIAM YAO 03MAR2022		
TOLERANCES UNLESS OTHERWISE SPECIFIED:		APVD WILLIAM YAO 03MAR2022	NAME PITCH 2.0 TO PITCH 2.0 CABLE ASSEMBLY, L=300MM	
		PRODUCT SPEC -	SIZE A2	
MATERIAL -		APPLICATION SPEC -	CAGE CODE 00779	DRAWING NO C=2405869
FINISH -		WEIGHT -	RESTRICTED TO -	SCALE N.T.S.
CUSTOMER DRAWING			SHEET 8 of 8	REV A1