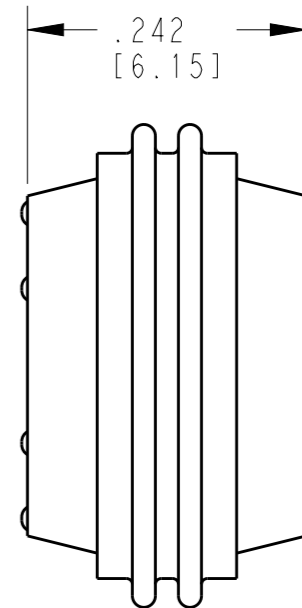
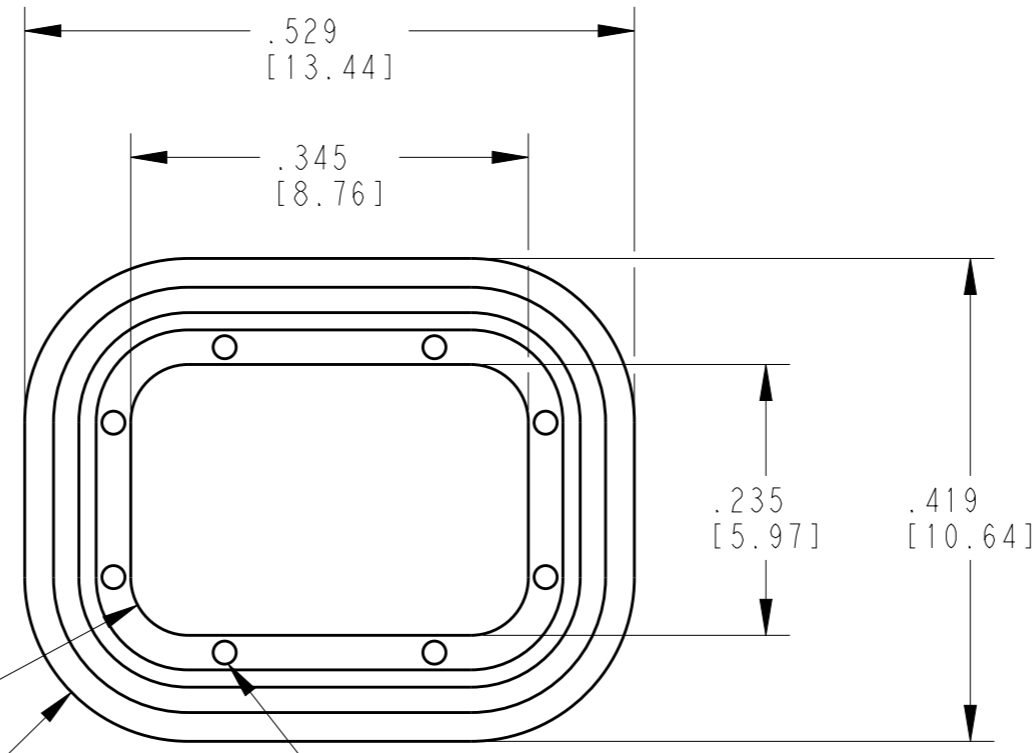
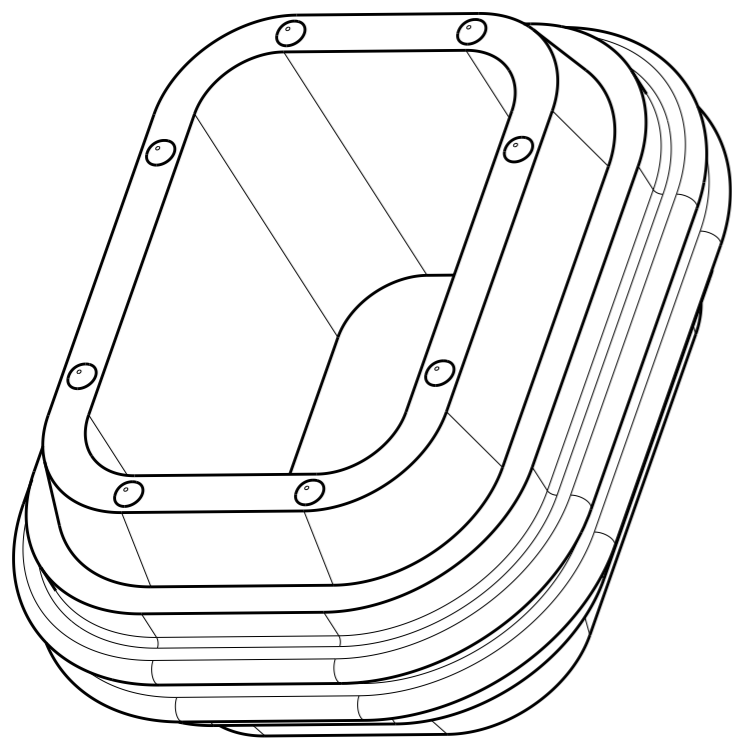


THIS DRAWING IS UNPUBLISHED
 RELEASED FOR PUBLICATION 2015
 © COPYRIGHT 1999 BY TE CONNECTIVITY ALL RIGHTS RESERVED.

LOC	DIST	REVISIONS			
P	LTR	DESCRIPTION	DATE	DWN	APVD
	NC	NEW RELEASE PER E.O. P15141	05FEB1997	HT	RDR
	A	REVISED PER E.O. P15966	26MAR1999	DS	RDR
	B	REVISED PER ECO-15-012275	25SEP2015	JA	DM



R.050 [1.27]
 R.142 [3.61]

OPTIONAL FEATURE

TE INTERNAL PN	DEUTSCH PN
1010-064-0206	1010-064-0206

2 MATERIAL: SILICONE (RED-ORANGE)
 1. USED ON PLUG DT06-2S-XXXX.
 (XXXX = ALL MODIFICATIONS)

NOTES: UNLESS OTHERWISE SPECIFIED

THIS DRAWING IS A CONTROLLED DOCUMENT.		DWN D. SPENCER 23MAR1999	TE Connectivity		
DIMENSIONS: INCHES [mm]		CHK STEVE BEARD 26MAR1999			
TOLERANCES UNLESS OTHERWISE SPECIFIED:		APVD ROBIN REED 26MAR1999	NAME SEAL, FRONT 2 SIZE 16 CONTACTS DT SERIES		
0 PLC ± 1 PLC ± 2 PLC ± 3 PLC ±.025 [0.64] 4 PLC ± ANGLES ±0°30'0"		PRODUCT SPEC N/A	RESTRICTED TO		
MATERIAL 2		APPLICATION SPEC N/A	SIZE A3	CAGE CODE 4AFU8	DRAWING NO 1010-064-0206
FINISH		WEIGHT 0.32g	SCALE 6:1 SHEET 1 OF 1 REV B		
		Customer Drawing			