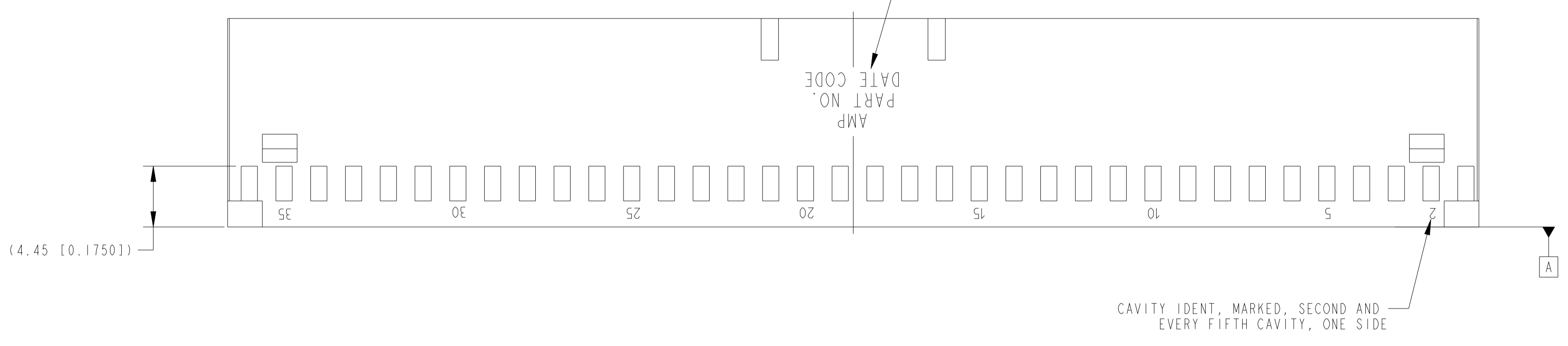


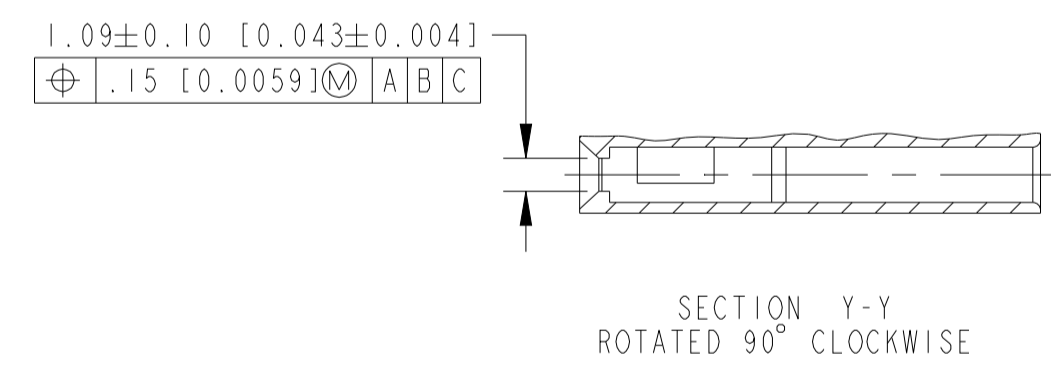
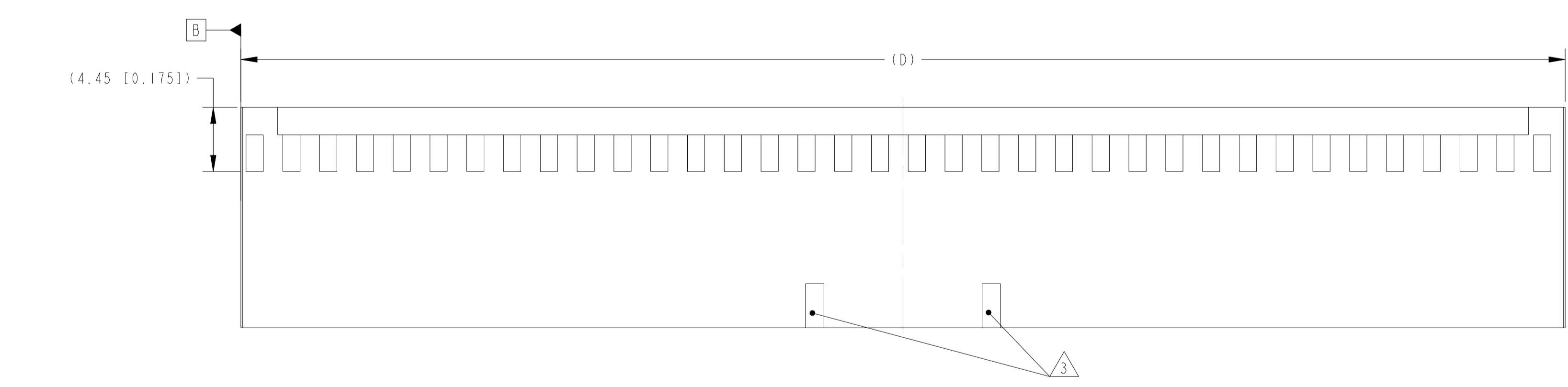
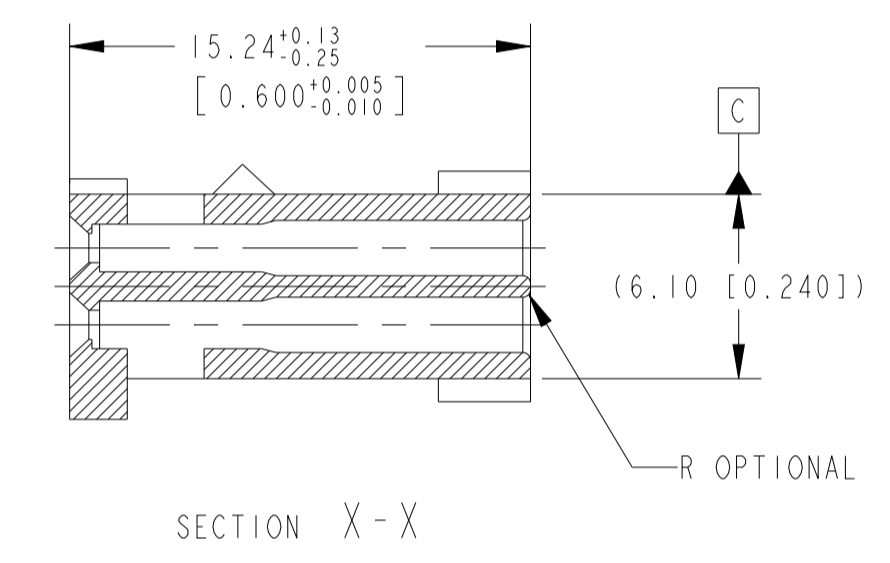
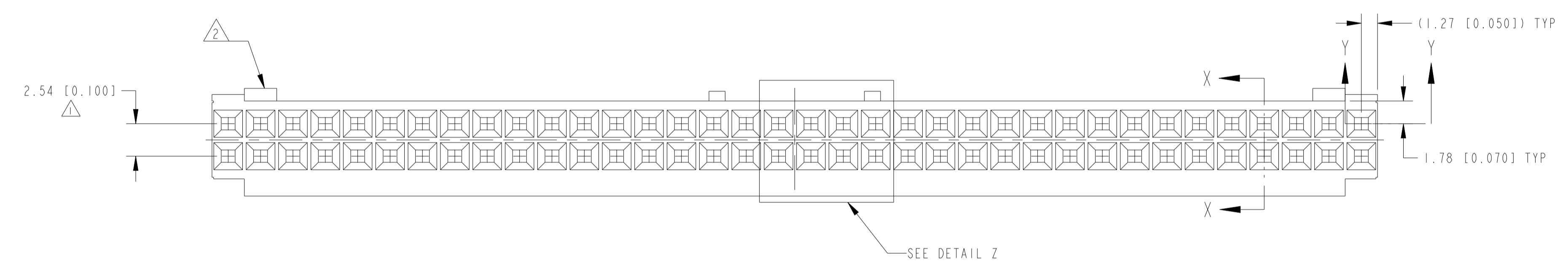
REVISIONS					
P	LTN	DESCRIPTION	DATE	OWN	APVD
AA		ADDED MAX. FLASH PERMITTED ON WINDOWS.	15FEB2024	RK	MF
AB		MATERIAL CHANGE AND STEP REMOVED	10OCT2024	RS	PS
AB1		NOTE UPDATION, PRODUCT & APPLICATION SPEC ADDED	14APR2025	RS	GVP
AC		DESIGN CHANGED TO Y REVISION	18MAY2026	RS	GVP

"AMP", PART NO. & DATE CODE,
MARKED IN AREA SHOWN
WHEN HOUSING SIZE PERMITS.



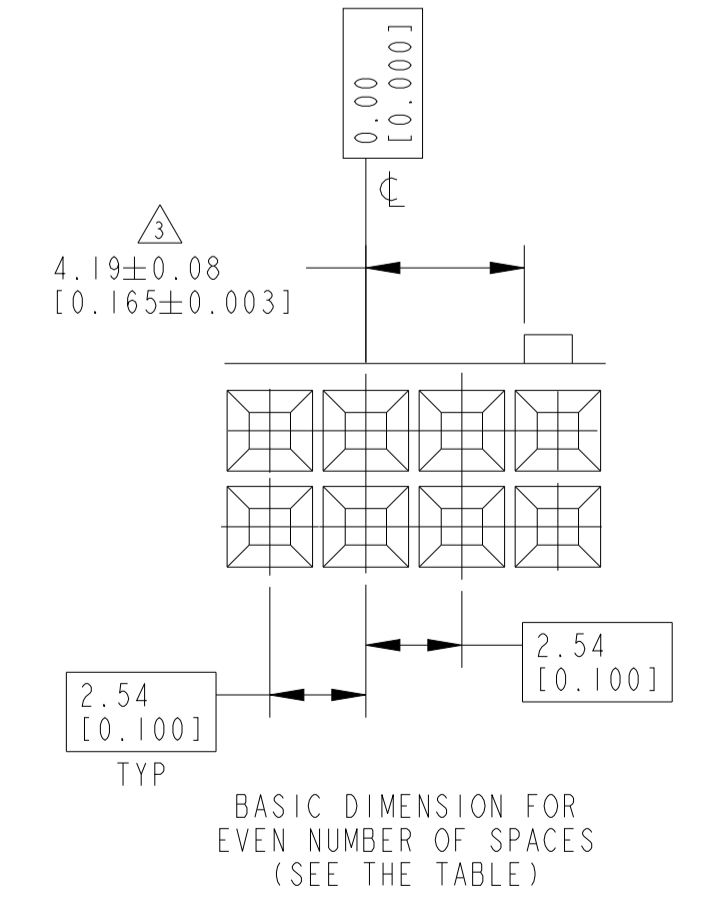
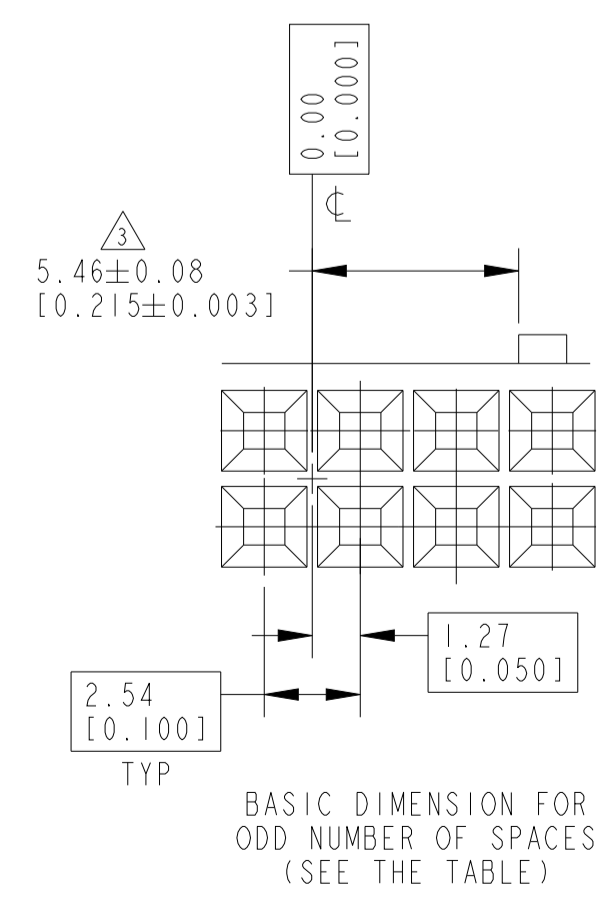
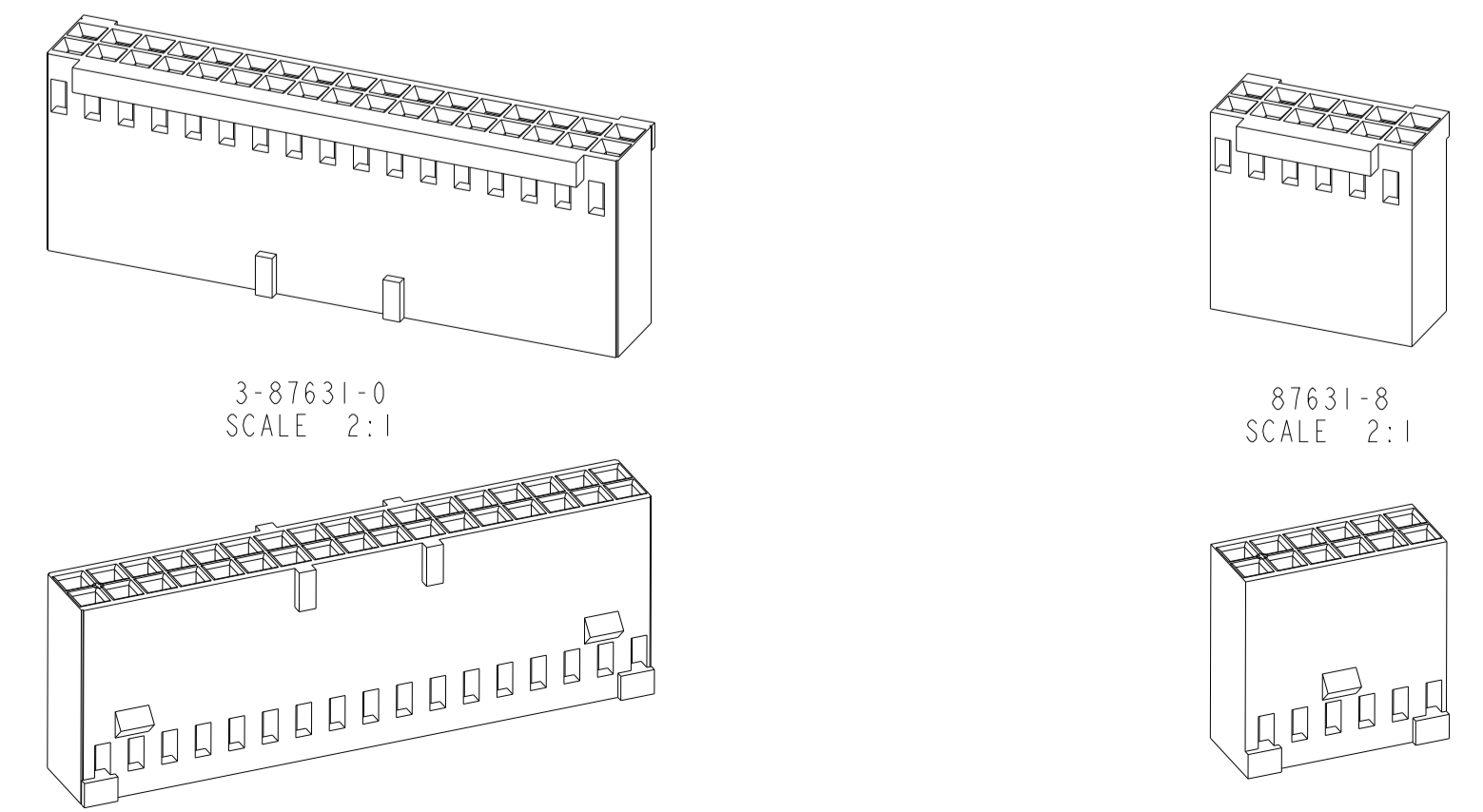
- 2 SEE TABLE FOR NUMBER OF DETENTS. DETENT ON THIS SIDE FOR HOUSINGS WITH ONE DETENT.
- 3 STRAIN RELIEF LOCATORS WILL APPEAR ON 20 POSITION AND LARGER HOUSINGS.
- 4 USE EXTRACTION TOOL 843477-3 TO REMOVE RECEPTACLE CONTACTS.
- 5 THESE HOUSINGS ARE COMPATIBLE WITH ANY MOD II SHROUDED HEADER.
- 6 HOUSINGS WILL ACCOMMODATE ALL MOD IV, IV.5 AND MOD V CONTACTS.
- 7 MATERIAL: FLAME RETARDANT GLASS FILLED NYLON, COLOR: BLACK PER ASTM D4066.
- 8 OBSOLETE PARTS

LONGEST POSITION SHOWN



MARKING	UNMARKED HOUSING PART NUMBER	NO. OF DETENTS	D	NO. OF SPACES	NO. OF POSN	PART NUMBER
ALL	6-87631-5	2	81.28 [3.2]	31	64	6-87631-6
ALL	6-87631-3	2	73.66 [2.9]	28	58	6-87631-4
ALL	6-87631-1	2	71.12 [2.8]	27	56	6-87631-2
ALL	5-87631-9	2	60.96 [2.4]	23	48	6-87631-0
ALL	5-87631-7	2	91.44 [3.6]	35	72	5-87631-8
ALL	5-87631-5	2	88.9 [3.5]	34	70	5-87631-6
ALL	5-87631-3	2	83.82 [3.3]	32	66	5-87631-4
ALL	5-87631-1	2	76.2 [3.0]	29	60	5-87631-2
ALL	4-87631-9	2				5-87631-0
ALL	4-87631-7	2				4-87631-8
ALL	4-87631-5	2	68.58 [2.7]	26	54	4-87631-6
ALL	4-87631-3	2	66.04 [2.6]	25	52	4-87631-4
ALL	4-87631-1	2	63.5 [2.5]	24	50	4-87631-2
ALL	3-87631-9	2	55.88 [2.2]	21	44	4-87631-0
ALL	3-87631-7	2	53.34 [2.1]	20	42	3-87631-8
ALL	3-87631-5	2	50.8 [2.0]	19	40	3-87631-6
ALL	3-87631-3	2	48.26 [1.9]	18	38	3-87631-4
ALL	3-87631-1	2	45.72 [1.8]	17	36	3-87631-2
ALL	2-87631-9	2	43.18 [1.7]	16	34	3-87631-0
ALL	2-87631-7	2	40.64 [1.6]	15	32	2-87631-8
ALL	2-87631-5	2	38.1 [1.5]	14	30	2-87631-6
ALL	2-87631-3	2	35.56 [1.4]	13	28	2-87631-4
ALL	2-87631-1	2	33.02 [1.3]	12	26	2-87631-2
ALL	1-87631-9	2	30.48 [1.2]	11	24	2-87631-0
ALL	1-87631-7	2	27.94 [1.1]	10	22	1-87631-8
ALL	1-87631-5	2	25.4 [1.0]	9	20	1-87631-6
ALL	1-87631-3	1	22.86 [0.9]	8	18	1-87631-4
ALL	1-87631-1	1	20.32 [0.8]	7	16	1-87631-2
ALL	87631-9	1	17.78 [0.7]	6	14	1-87631-0
ALL	87631-7	1	15.24 [0.6]	5	12	87631-8
ALL	87631-5	1	12.7 [0.5]	4	10	87631-6
ALL	87631-3	1	10.16 [0.4]	3	8	87631-4
ALL	87631-1	1	7.62 [0.3]	2	6	87631-2

ISOMETRIC VIEW



THIS DRAWING IS A CONTROLLED DOCUMENT.

OWN: E. BRANDENBERG, 09FEB94
CHK: S. SHUEY, 08NOV94
APVD: D. DUPLER, 08NOV94

DIMENSIONS: mm [INCHES]
TOLERANCES UNLESS OTHERWISE SPECIFIED:
0 PLC ±
1 PLC ±0.5(0.019)
2 PLC ±0.13(0.005)
3 PLC ±
4 PLC ±
ANGLES ±0° 30'

MATERIAL: 7

TE Connectivity

MOD IV CRIMP SNAP-IN CONNECTOR, DOUBLE ROW, 2.54 [0.10] CENTERS SHORT ENTRY

SIZE: 114-25003, 114-25016
WEIGHT: -
CUSTOMER DRAWING

SCALE: 5:1
SHEET 1 OF 1
REV: AC