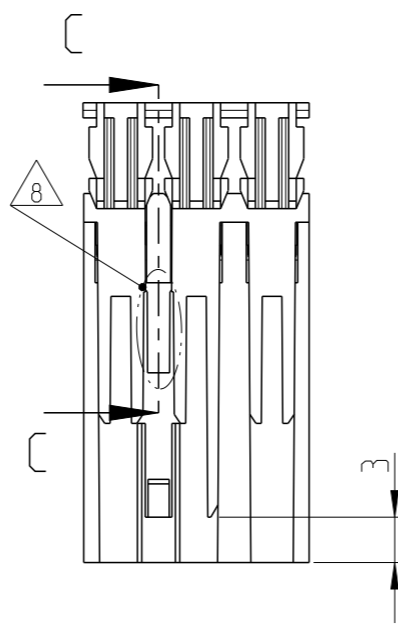
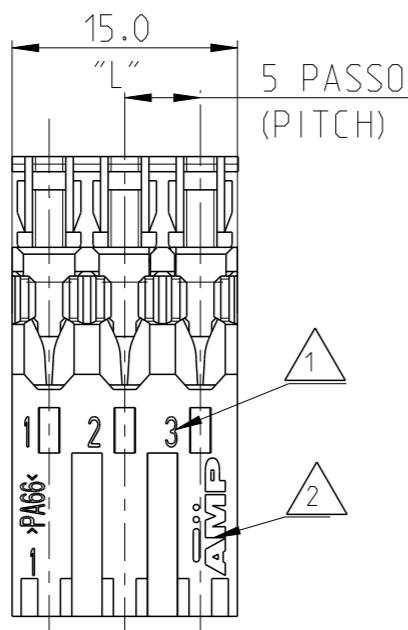
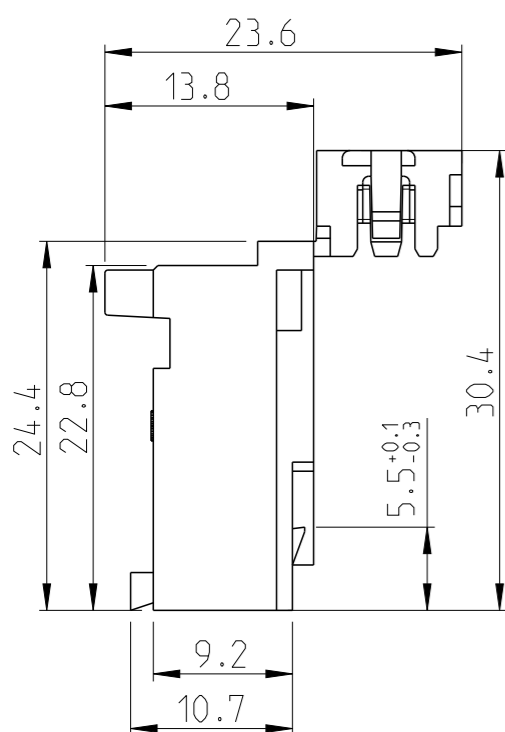
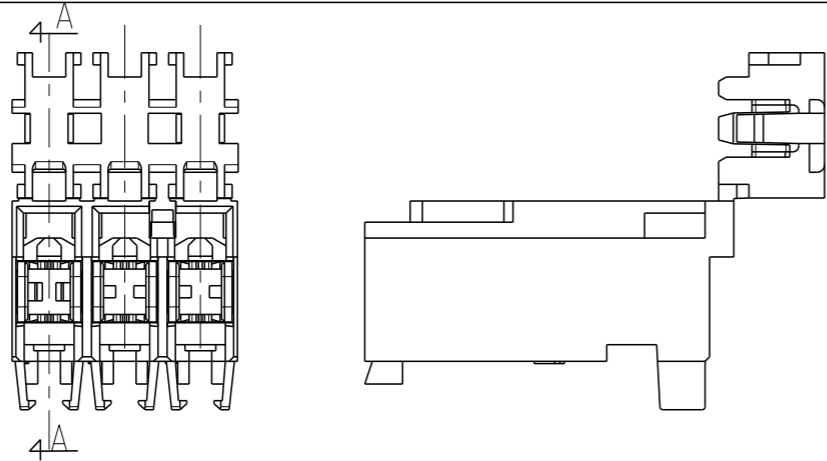


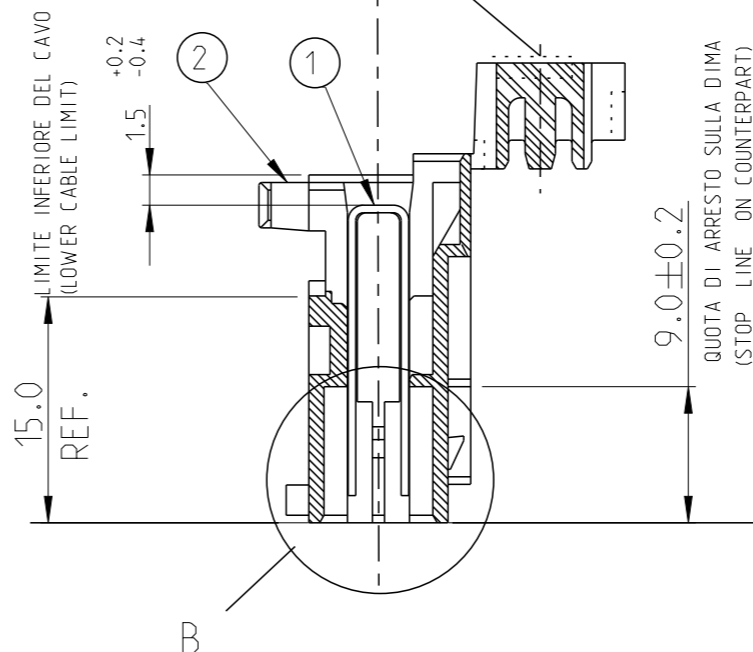
LOC	DIST
1	-

REVISIONS					
P	LTR	DESCRIPTION	DATE	DWN	APVD
	E2	ECN-24-281324	26AUG2024	TL	FL
	E3	REVISED PER ECN-26-383475	15MAY2026	CM	DK
	E4	REVISED PER ECR-26-280469	25MAY2026	CM	FL
	E5	REVISED PER ECR-26-281922	10JUN2026	CM	FL

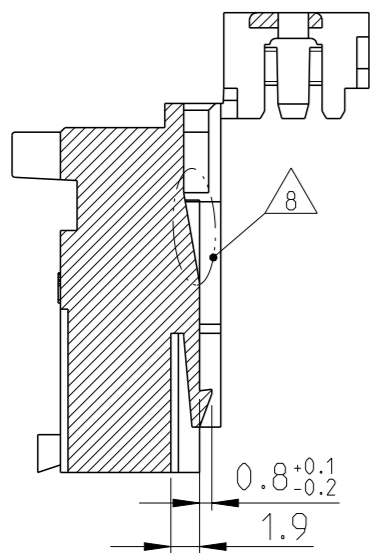
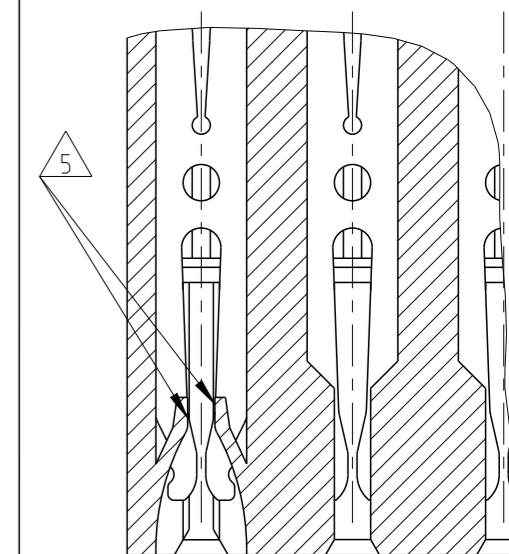


SEZ. A-A

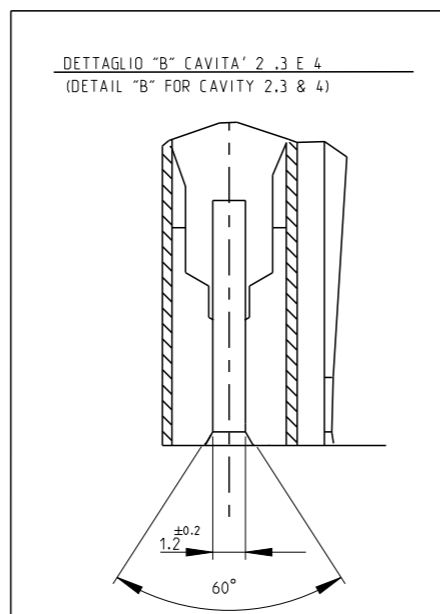
COLOR CODE STRIP ALLOCATO IN QUESTA AREA DEL COPERCHIO (COLOR CODE STRIP LOCATED ON THE COVER AS SHOWN)



DETTAGLIO "B" CAVITA' 1 DENTINI DI RITENZIONE PER CONTROPARTE TAB (DETAIL "B" FOR CAVITY 1 TAB RETENTION TEETH GEOMETRY)



SECTION C-C 2:1



2	BLOCCETTO (HOUSING)	NATURALE (NATURAL)	PA 6.6 CARICATO VETRO (POLIAMIDE 6.6 GLASSFIBER FILLED)
1	CONTATTO (CONTACT)	STAGNATO (TIN-PLATED)	OTTONE (BRASS)
ITEM	DENOMINAZIONE (DESCRIPTION)	FINITURA / COLORE (FINISH / COLOUR)	MATERIALE (MATERIAL)
			DIAM. ISOLANTE (INS. DIA. RANGE) 3.0 max. RANGO FILO (WIRE RANGE) 0.5-1.5mm2

THIS DRAWING IS A CONTROLLED DOCUMENT.

DWN C.CORDOLA 02DEC2008

CHK G.TURCO 02DEC2008

APVD -

DIMENSIONS: mm

TOLERANCES UNLESS OTHERWISE SPECIFIED:



0 PLC	±	} ±0.3
1 PLC	±	
2 PLC	±	
3 PLC	±	
4 PLC	±	
ANGLES	±	} ±0° 30'
FINISH	SEE TABLE	

MATERIAL SEE TABLE

FINISH SEE TABLE

PRODUCT SPEC 108-20065-1 108-20065-2

APPLICATION SPEC 114-20016 114-20016-1

WEIGHT -

CUSTOMER DRAWING



MONO SHAPE MK I TAB SPECIAL 2-8 POS REAR LOCKING

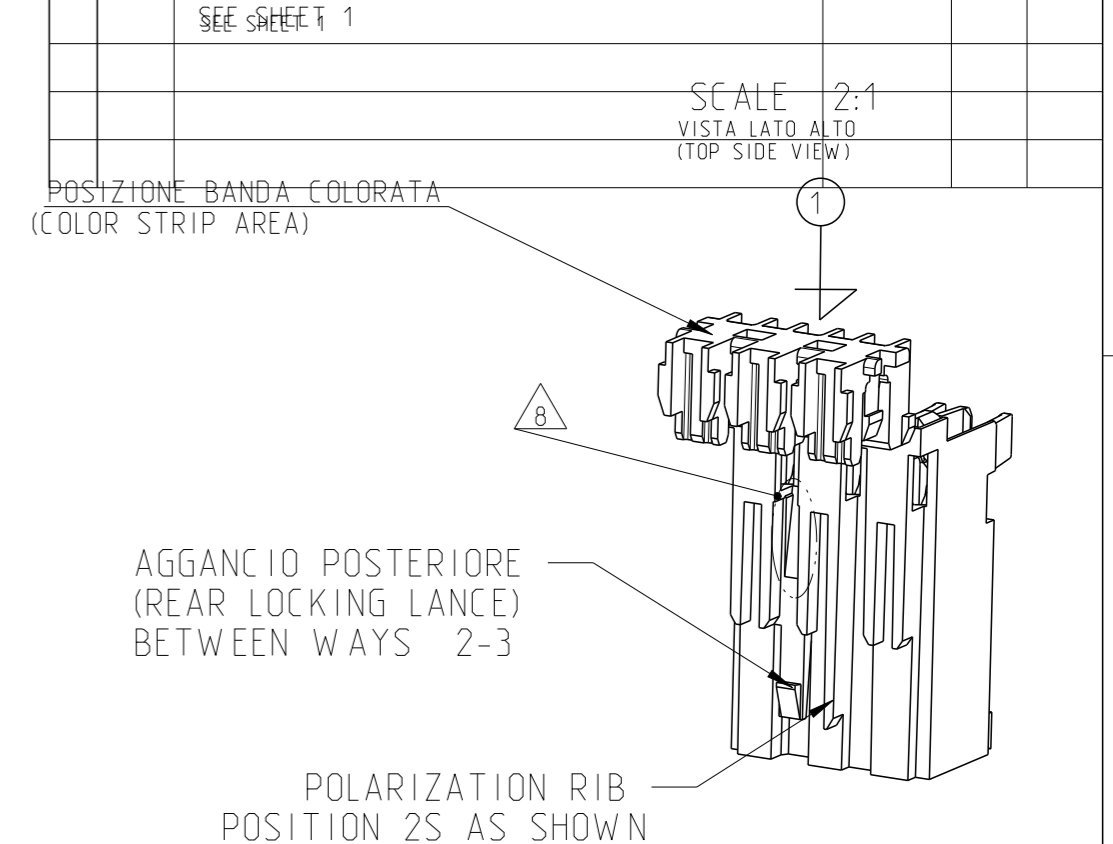
SIZE A3	CAGE CODE 00779	DRAWING NO C-293491	RESTRICTED TO -
---------	-----------------	---------------------	-----------------

SCALE 2:1 SHEET 1 OF 3 REV E5

THIS DRAWING IS UNPUBLISHED. RELEASED FOR PUBLICATION 2008
 © COPYRIGHT 2008 ALL RIGHTS RESERVED.

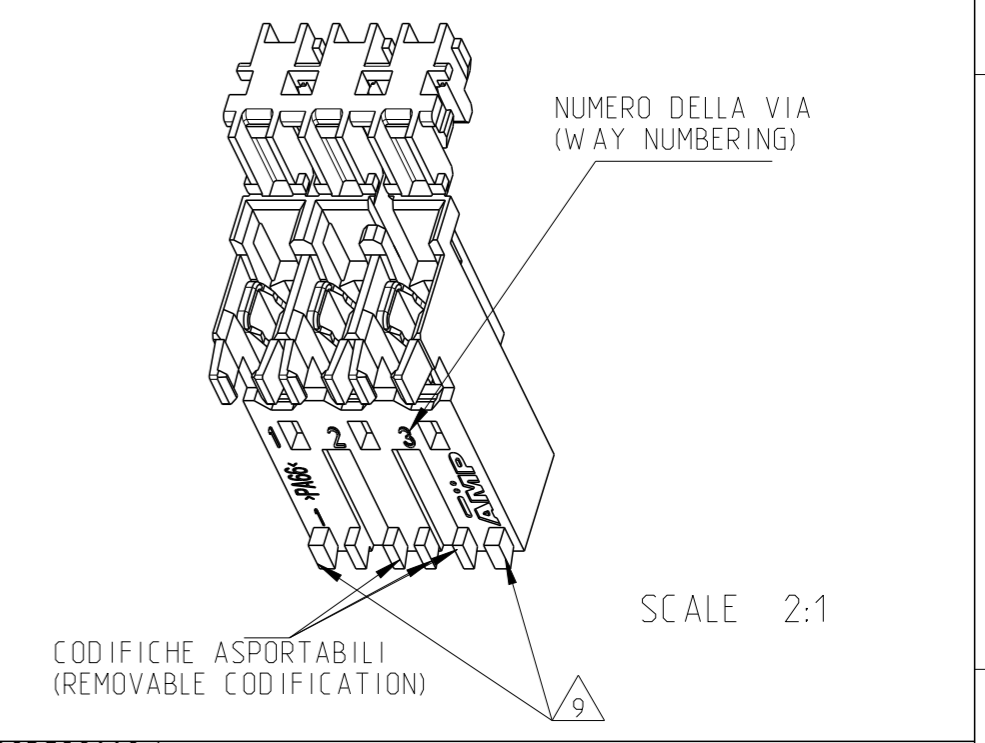
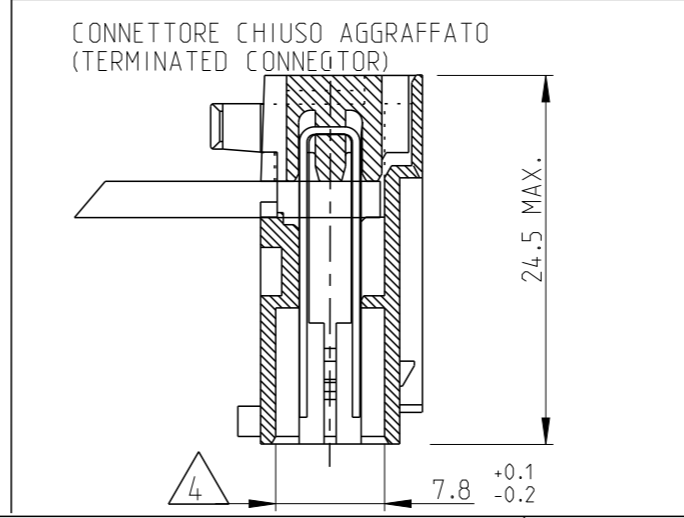
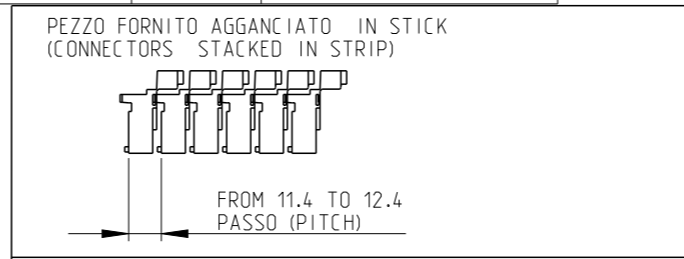
LOC	DIST	REVISIONS					
1	-	P	LTR	DESCRIPTION	DATE	DWN	APVD

NUMERO DI VIE	CONFIGURAZIONE (Vista connettore dall'alto)	VERSIONE PEZZI IN VASSOIO	PART REV.	VERSIONE PEZZI SCIOLTI	PART REV.	POSIZIONE AGGANCIAMENTO (LATO POSTERIORE)	POSIZIONE POLARIZZAZIONE (LATO POSTERIORE) (SE PRESENTE)	L	NOTE MARCHIATURA CON BANDA COLORATA
NO OF POS	CONFIGURATION (View from top side)	TRAY PACKAGING VERSION		LOOSE PIECES PACKAGING VERSION		LOCKING POSITION (Back side)	POSITION FOR POLARIZATION ON BACK SIDE (IF PRESENT)	(mm)	NOTE STRIP COLOUR
2		0-293491-2	D	-	-	1-2	1S-2D	9.9	-
		1-293491-2	D	-	-	1-2	1S	9.9	-
		2-293491-2	D	-	-	1-2	-	9.9	-
3		0-293491-3	D	-	-	2-3	2S	14.9	-
3		1-293491-3	D	-	-	1-2	1S-2D	14.9	BLACK
4		0-293491-4	D	-	-	1-2, 3-4	1S,2D,3S	19.9	-
4		1-293491-4	D	-	-	1-2, 3-4	1S,2D	19.9	-
8		0-293491-8	D	-	-	1-2, 7-8	2D,3S,6D,7S	39.9	-



NOTE/NOTES:

- 1) NUMERI DI IDENTIFICAZIONE CAVITA' (CIRCUIT IDENTIFICATION)
- 2) MARCHIO DI FABBRICA (LIBERA POSIZIONE). (TRADE MARK LOGO FREE POSITION)
- 3) L'AGGANCIAMENTO DELLA LINGUETTA E' POSIZIONATO SOLO NELLA CAVITA' N.1 (VEDI ANCHE NOTA 5) ED E' PRESENTE SOLO PER I CONNETTORI DI 2, 3 E 4 VIE. (THE RETENTION TOOTH IS LOCATED ONLY IN CAVITY N.1 (SEE ALSO NOTE 5) AND IS PRESENT ONLY FOR CONNECTORS WITH 2, 3 AND 4 POSITIONS).
- 4) DIVENTA 6.5 PER LA CAVITA' N. 1 SUI CONNETTORI (BECOMES 6.5. FOR THE CAVITY N.1)
- 5) GEOMETRIA ALTERNATIVA E OPZIONALE DEL DENTINO DI AGGANCIAMENTO (ALTERNATIVE AND OPTIONAL SHAPE FOR RETENTION TOOTH)
- 6) STATO DI FORNITURA: CONFEZIONAMENTO IN "VASSOI + SCATOLA" (PACKAGING: "ON TRAY PLUS CARTON BOX")
- 7) PRELIMINARY- PART NOT YEST RELEASED FOR PRODUCTION
- 8) SLIDE PROFILE (WEDGE SHAPE SLOT) ON THE AREA ABOVE THE LOCKING LANCE GEOMERTY TO FACILITATE UN-CHAINING PROCESS.
- 9) DIFFERENT CODING RIB GEOMETRY AT BOTH END. WIDTH OF CODING RIB REDUCED TO 1.1 mm FOR ALL REAR LOCKING VERSIONS
- 10) OBSOLETE
- 11) WITHOUT 2 WIRE RETENTION HOOKS ON 2 ENDS. SEE SHEET 3
- 12) SPECIAL CIRCUITE INDENTIFICATION, WHICH IS OPPOSITE FROM STANDARD ONE. SEE SHEET 3



THIS DRAWING IS A CONTROLLED DOCUMENT.		DWN C.CORDOLA 02DEC2008	TE Connectivity	
		CHK G.TURCO 02DEC2008		
DIMENSIONS: mm		APVD -	NAME	
TOLERANCES UNLESS OTHERWISE SPECIFIED:		PRODUCT SPEC	MONO SHAPE MK I TAB	
0 PLC ±		108-20065-1	SPECIAL 2-8 POS REAR LOCKING	
1 PLC ±		108-20065-2		
2 PLC ±		APPLICATION SPEC		
3 PLC ±		114-20016	SIZE	CAGE CODE
4 PLC ±		114-20016-1	A3	00779
ANGLES ±		WEIGHT	DRAWING NO	
FINISH ±0° 30'		-	C-293491	
MATERIAL SEE TABLE		CUSTOMER DRAWING	SCALE	SHEET
			2:1	2 OF 3
				REV E5

THIS DRAWING IS UNPUBLISHED.

RELEASED FOR PUBLICATION





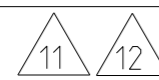
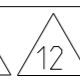




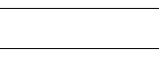
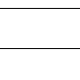
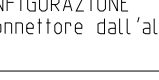
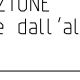
2008

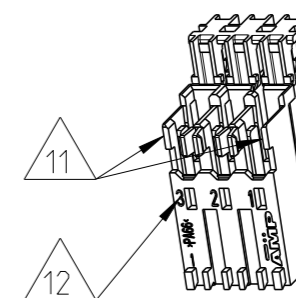
© COPYRIGHT 2008


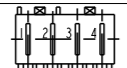
ALL RIGHTS RESERVED.


LOC	DIST	REVISIONS			
P	LTR	DESCRIPTION	DATE	DWN	APVD
		SEE SHEET 11			

PA GF, UL-VO GWPT 750 °C NO FLAME, NATURAL TWO ALTERNATIVE RESINS

NO OF POS	CONFIGURATION (View from top side)	TRAY PACKAGING VERSION	PART REV	LOOSE PIECES PACKAGING VERSION	PART REV	LOCKING POSITION (Back side)	POSITION FOR POLARIZATION ON BACK SIDE (IF PRESENT)	L +0.2 -0.3 (mm)	NOTE STRIP COLOUR
2	 	2297762-2	D	-	-	1-2	1S-2D	9.9	-
	 	1-2297762-2	1	-	-	1-2	1S	9.9	-
3	 	2297762-3	1	-	-	1-2	1S-2D	14.9	-
3	 	1-2297762-3	D	-	-	1-2	1D-2S-3D	14.9	-
3	 	3-229762-3	1	-	-	2-3	2S	14.9	-
4	 	2297762-4	D	-	-	1-2, 3-4	1D-2S-3D	19.9	-
5	 	2297762-5	1	-	-	2-3, 4-5	2S-4S	24.9	-
8		2297762-8	1	-	-	TBD	TBD	39.9	-



NUMERO DI VIE	CONFIGURAZIONE (Vista connettore dall'alto)	VERSIONE PEZZI IN VASSOIO	PART REV.	VERSIONE PEZZI SCIOLTI	PART REV	POSIZIONE AGGANCI O (LATO POSTERIORE)	POSIZIONE POLARIZZAZIONE (LATO POSTERIORE) (SE PRESENTE)	L +0.2 -0.3 (mm)	NOTE MARCHIATURA CON BANDA COLORATA
NO OF POS	CONFIGURATION (View from top side)	TRAY PACKAGING VERSION	PART REV.	LOOSE PIECES PACKAGING VERSION	PART REV	LOCKING POSITION (Back side)	POSITION FOR POLARIZATION ON BACK SIDE (IF PRESENT)		NOTE STRIP COLOUR
4	 	1-2469935-4	1	-	-	1-2, 3-4	1S,2D	19.9	-

THIS DRAWING IS A CONTROLLED DOCUMENT.		DWN	C.CORDOLA 02DEC2008		 TE Connectivity				
DIMENSIONS: mm		CHK	G.TURCO 02DEC2008						
TOLERANCES UNLESS OTHERWISE SPECIFIED:		APVD	-						
0 PLC ± 1 PLC ± 2 PLC ± 3 PLC ± 4 PLC ± ANGLES ±0° 30' FINISH SEE TABLE		PRODUCT SPEC	-						
MATERIAL	SEE TABLE	APPLICATION SPEC	-		NAME	MONO SHAPE MK I TAB SPECIAL 2-8 POS REAR LOCKING			
		WEIGHT	-		SIZE	CAGE CODE	DRAWING NO	RESTRICTED TO	
		CUSTOMER DRAWING		SCALE	2:1	SHEET	3 OF 3	REV	E5