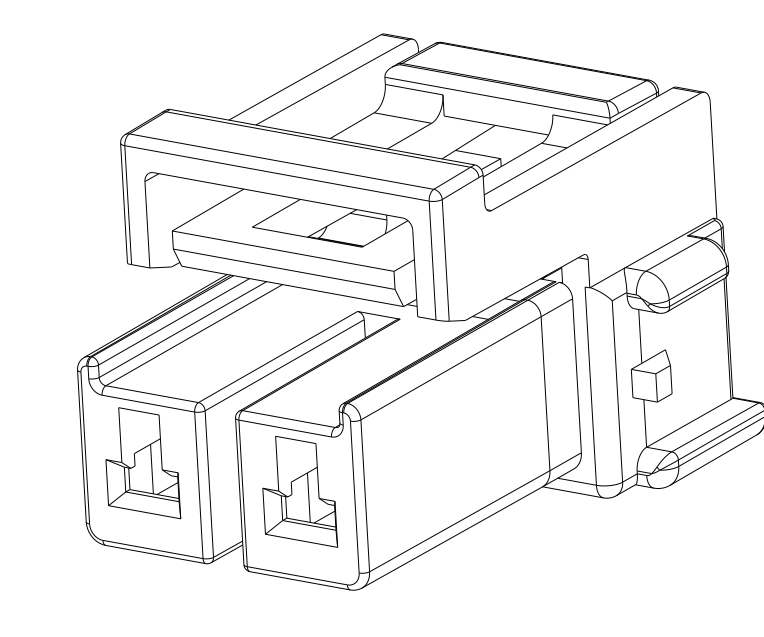
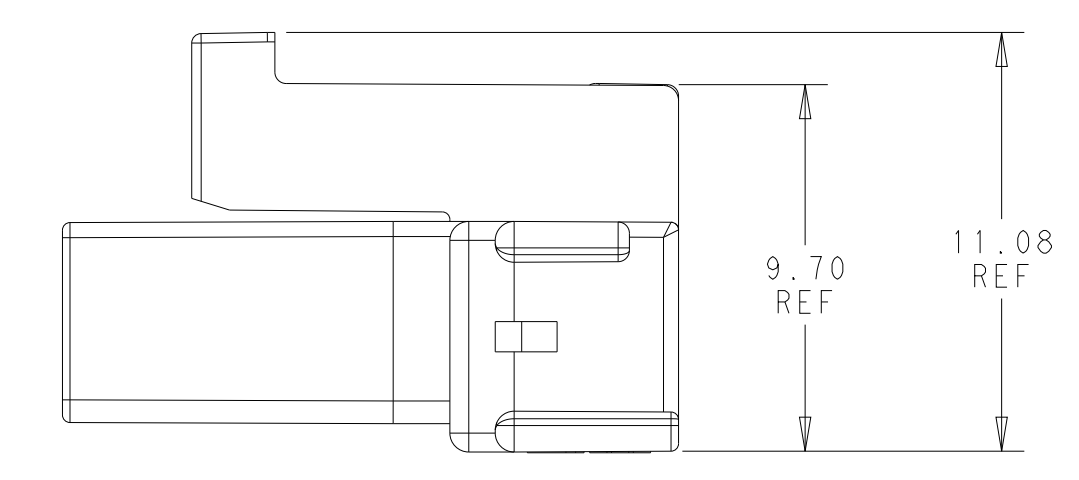
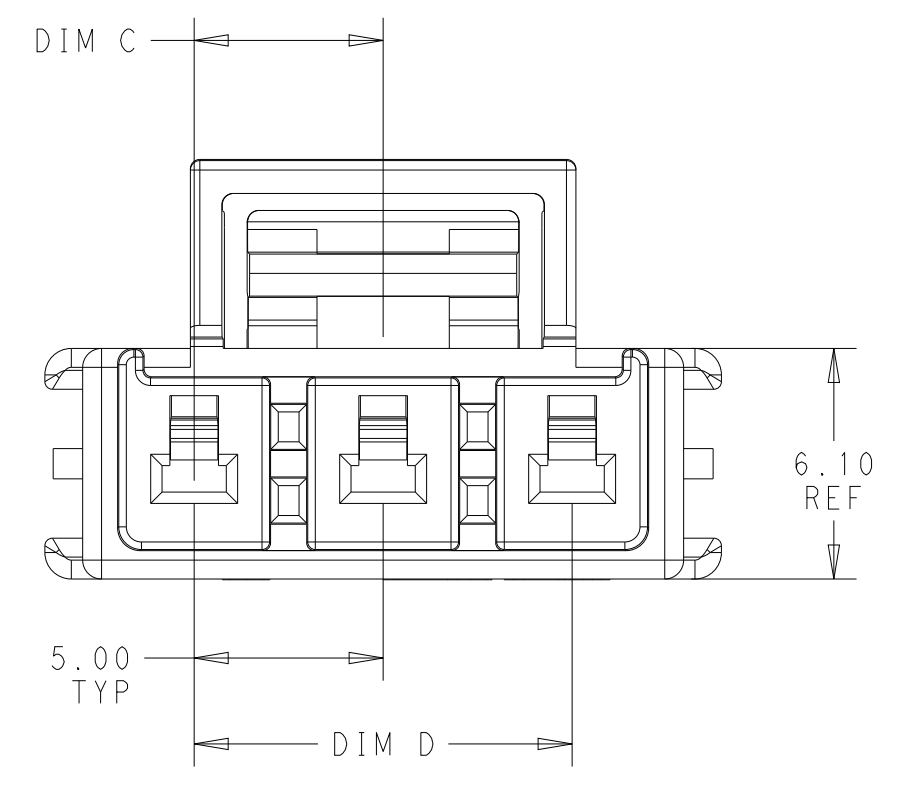
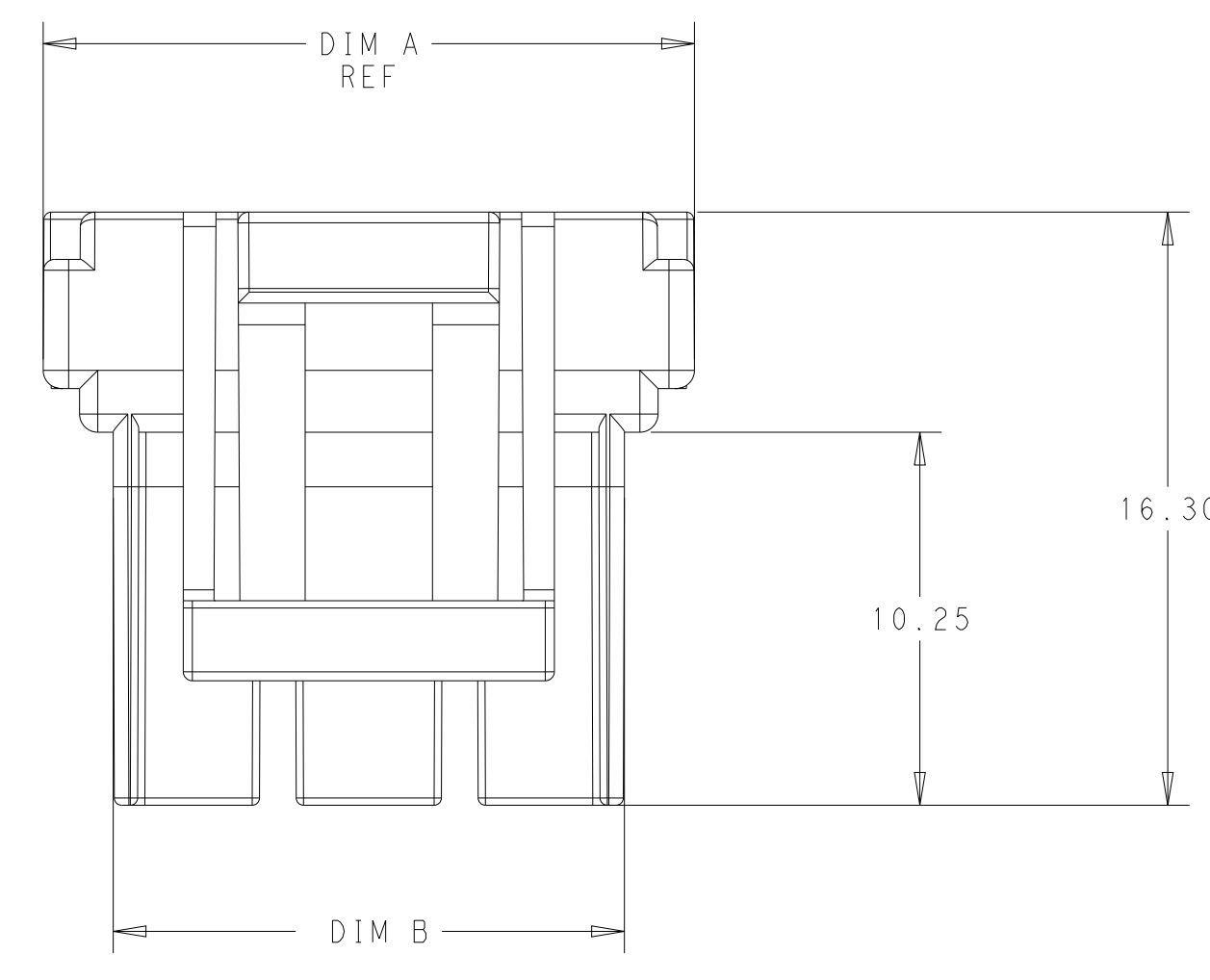
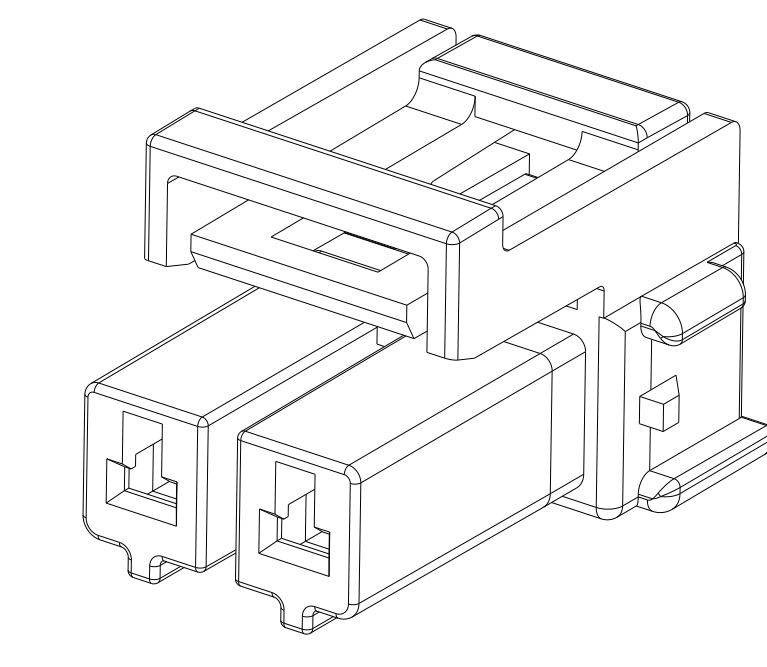


REVISIONS			
REV	DATE	BY	APPD
A	13JAN2023	D.K.	O.C.
A1	16MAY2023	MV	CO

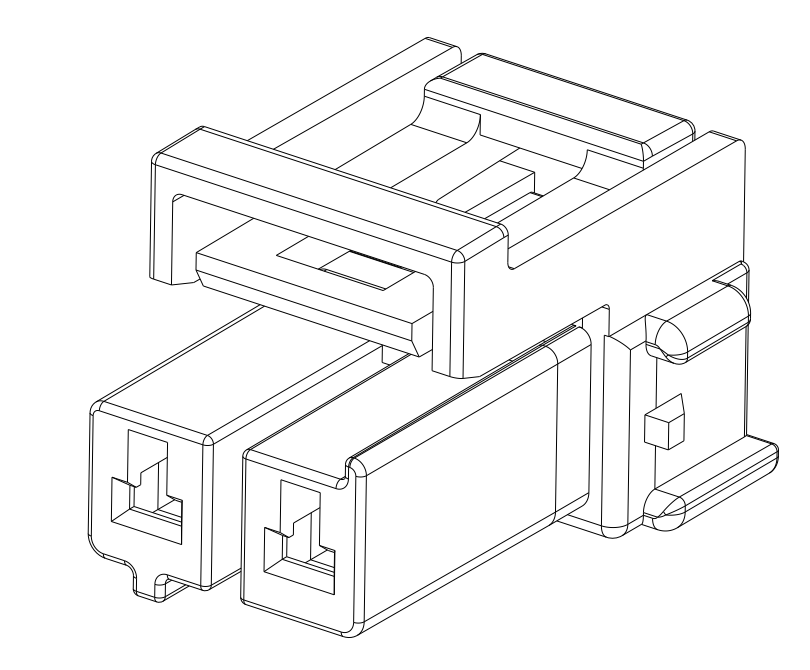
- △ MATERIAL: THERMOPLASTIC, UL94V-0, COLOR: NATURAL
- 2. THIS HOUSING ACCEPTS UNSEALED TERMINAL: 2391527-1, 2391528-1, SEALED TERMINAL: 2406090-1, 2406091-1
- 3. RECOMMENDED MATING PART: SEE TABLE
- 4. PER IEC 60335-1 SECT. 30, GWEPT 750C, NO FLAME or Te-Ti<=2S
- △ NOTE DELETED



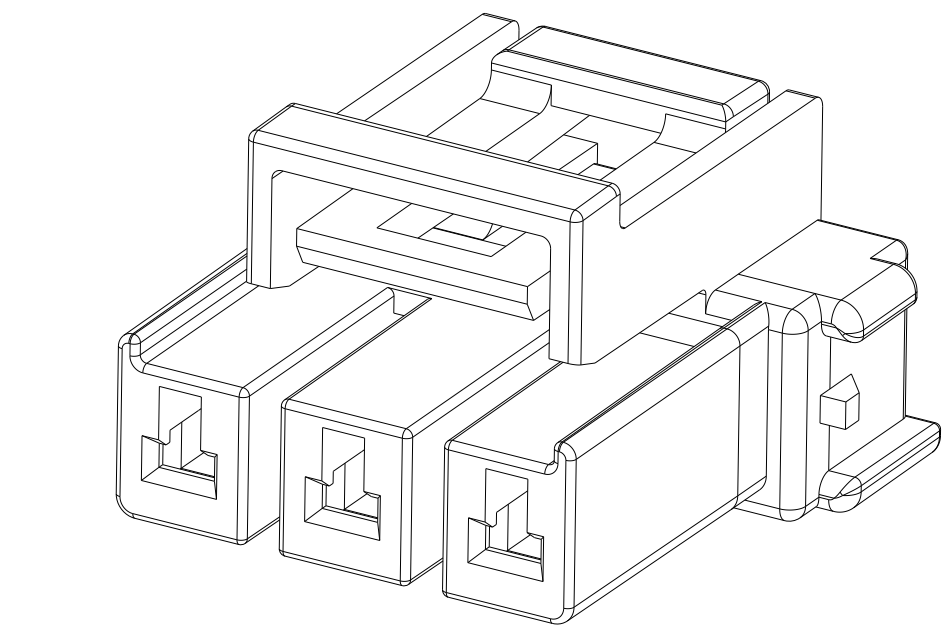
2391516-2



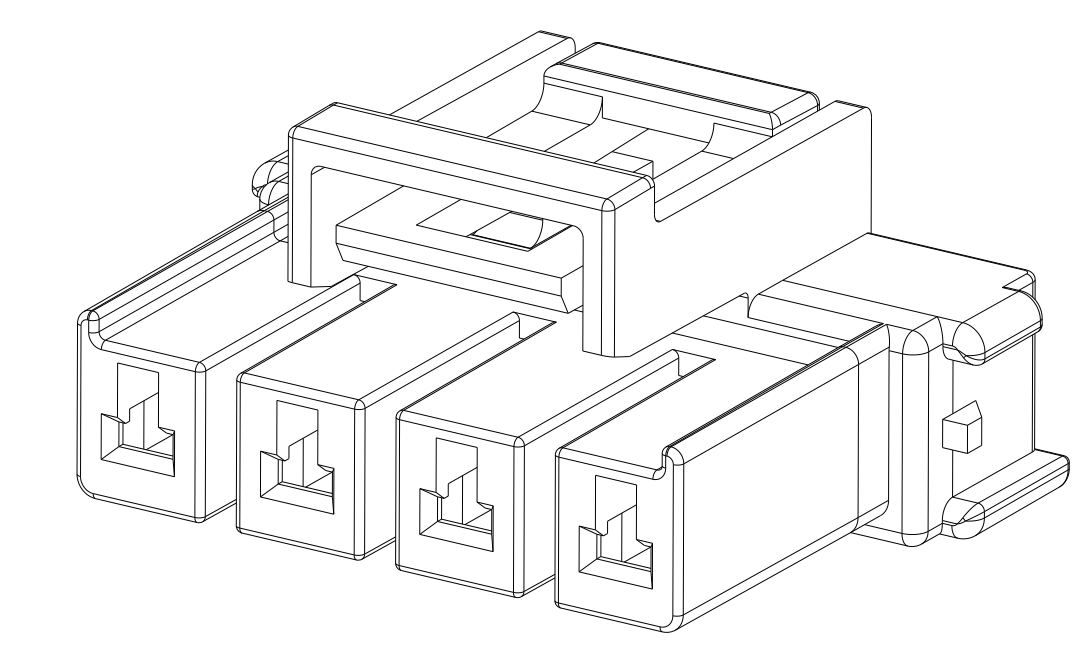
1-2391516-2



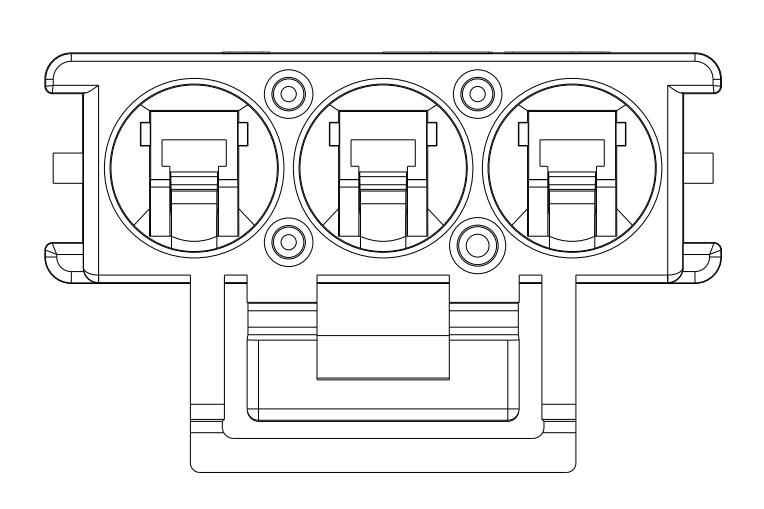
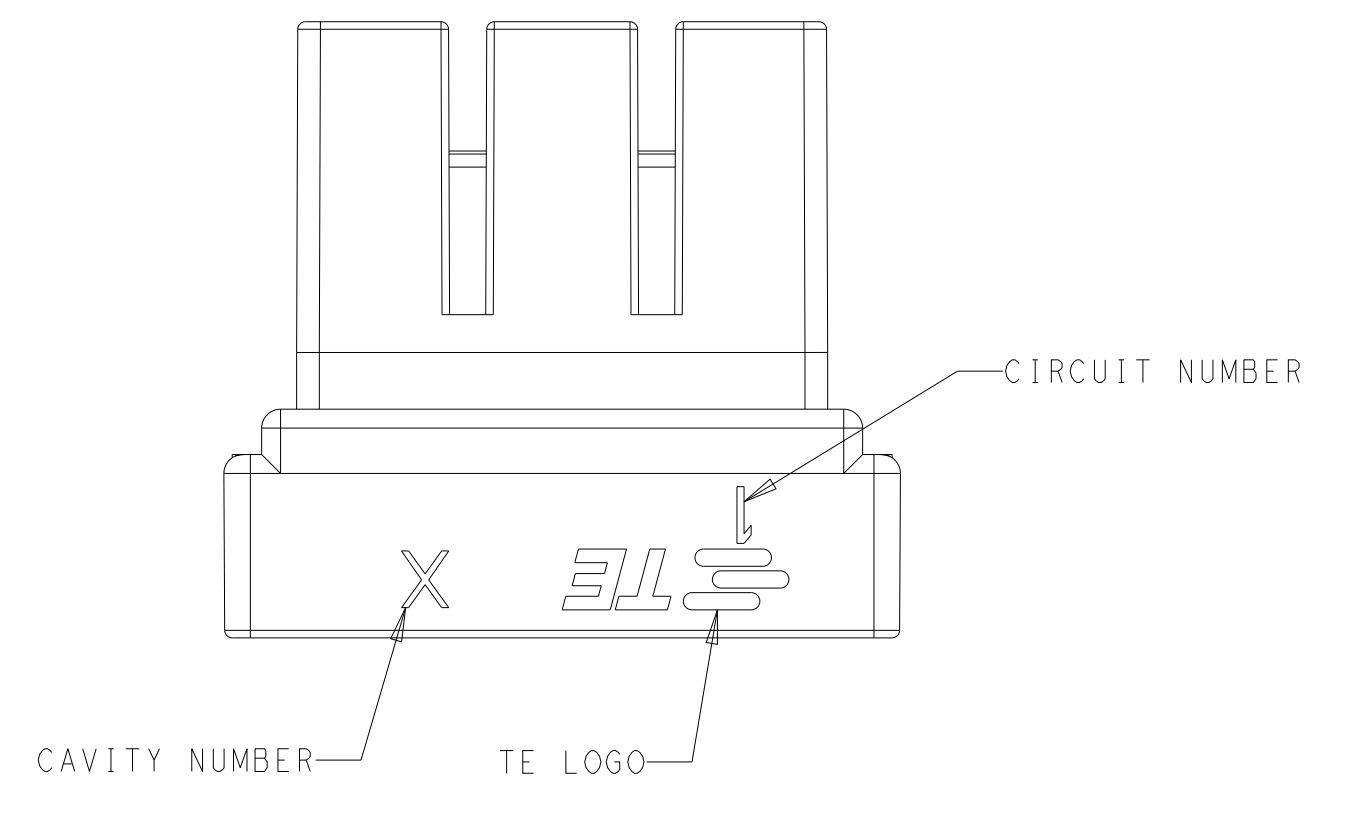
2-2391516-2



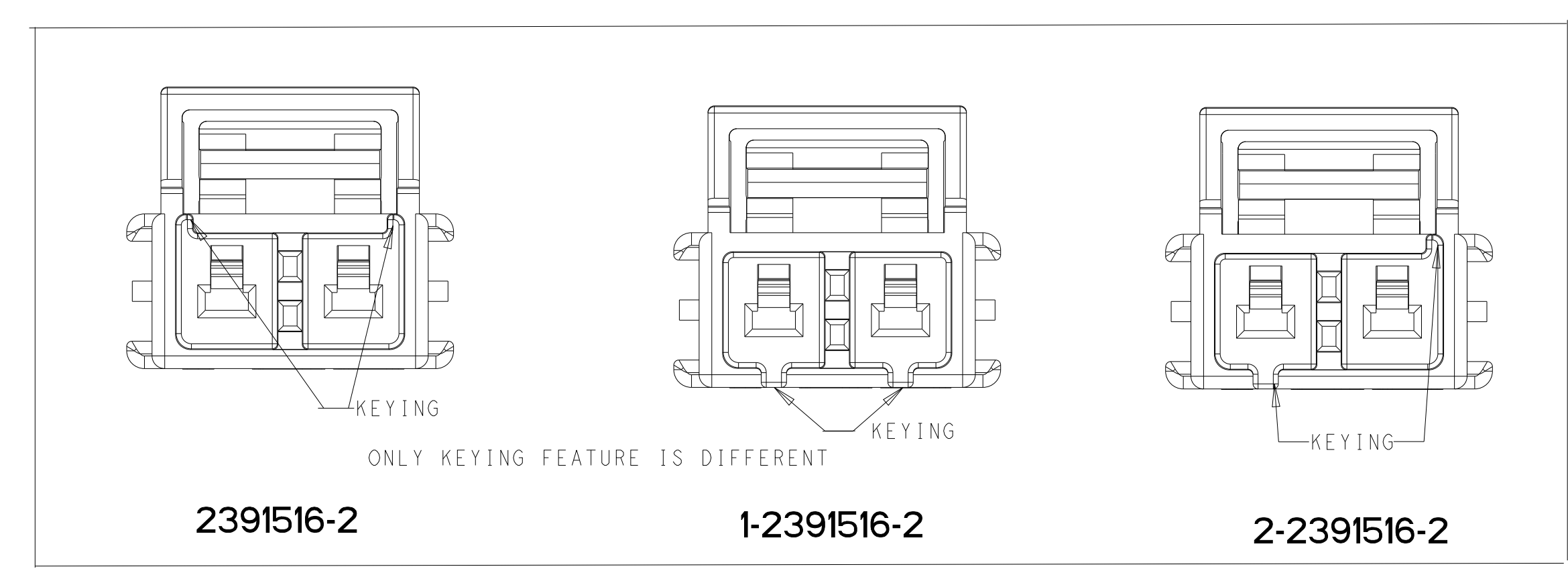
2391516-3



2391516-4



2391516-3 SHOWN



MATING TPA	MATING CAP	DIM D	DIM C	DIM B	DIM A	POSITIONS	PART NUMBER
2391522-2	2-2391515-2 2391518-2	5.00	2.50	9.05	12.90	2	2-2391516-2
2391522-2	2391517-1	5.00	2.50	9.05	12.90	2	1-2391516-2
2391522-4	2391515-4 2391518-1 2416056-1 2416056-2 2391520-1	15.00	7.50	19.05	22.90	4	2391516-4
2391522-3	2391515-3 2416056-1 2416056-2 2391520-1	10.00	5.00	14.05	17.90	3	2391516-3
2391522-2	2391515-2 2391517-1 2391518-1 2391520-1	5.00	2.50	9.05	12.90	2	2391516-2

THIS DRAWING IS A CONTROLLED DOCUMENT. DATE: 20SEP2022

DESIGNED BY: OTTO CHEN (00012022) / CHECKED BY: DANIEL ZHANG (00012022) / APPROVED BY: DANIEL ZHANG (00012022)

PRODUCT SPEC: 108-160365

APPLICATION SPEC: 114-160194

WEIGHT: -

CUSTOMER DRAWING

SCALE: 5:1

SHEET 1 OF 1

REV A1