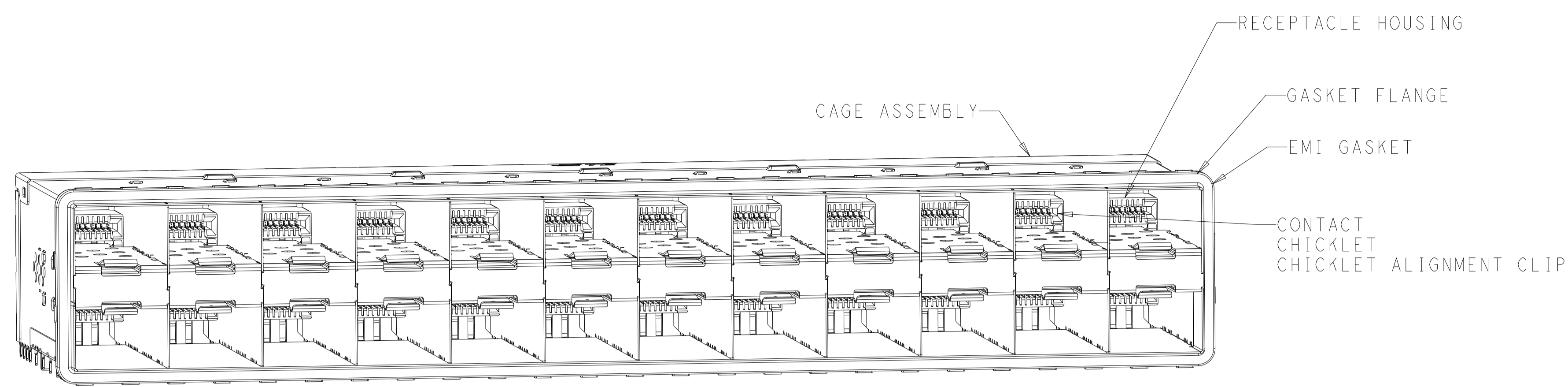
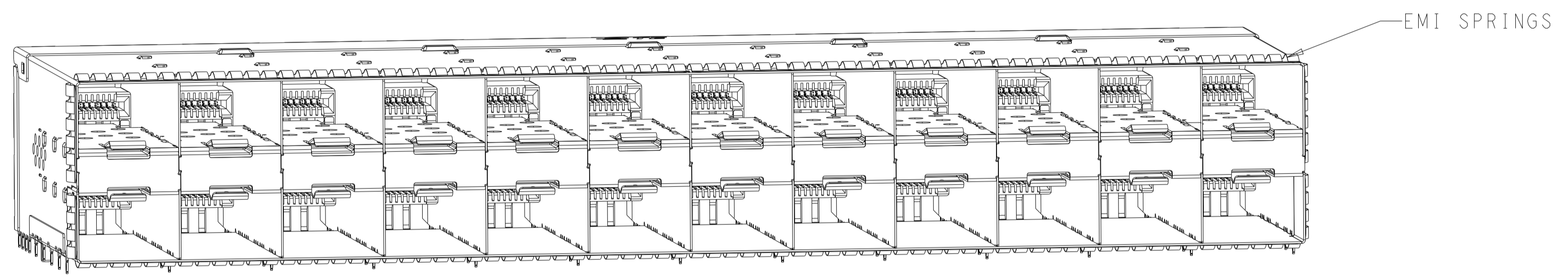


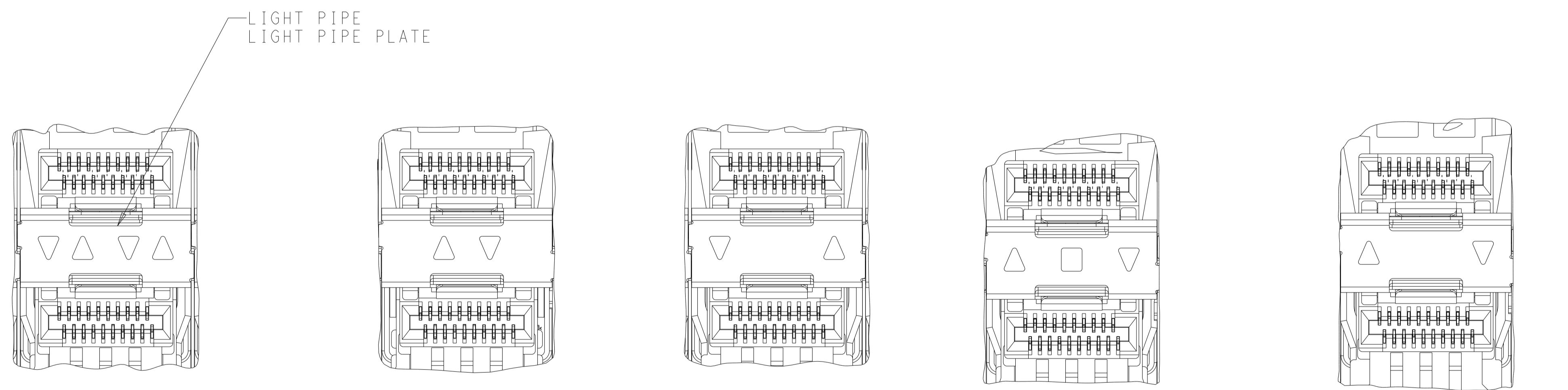
LOC		DIST		REVISIONS			
GP	00	P	LTN	DESCRIPTION	DATE	DWN	APVD
		A		PRODUCTION RELEASE	05JUN2019	JW	SH
		B		REVISED PER ECO-20-014521	13OCT2020	JY	SH
		B1		ADD PN 2-2349201-3,2-2349201-4	23APR2021	SZ	SZ
		B2		REVISE PER ECN-22-150596	25APR2022	SZ	SZ



2349201-1



2349201-5



INNER/OUTER LIGHT PIPE
2349201-2, 2349201-6
SCALE 4:1

INNER LIGHT PIPE
2349201-3, 2349201-7
SCALE 4:1

OUTER LIGHT PIPE
2349201-4, 2349201-8
SCALE 4:1

CENTER/
REVERSE OUTER LIGHT PIPE
1-2349201-7, 1-2349201-9
SCALE 4:1

REVERSE OUTER LIGHT PIPE
1-2349201-8, 2-2349201-0
SCALE 4:1

- MATERIALS:
 CAGE ASSEMBLY - NICKEL-SILVER ALLOY PER ASTM B 122
 RECEPTACLE HOUSING - LCP, BLACK, UL 94V-O RATED
 CHICKLET - LCP, BLACK, UL 94V-O RATED
 CHICKLET ALIGNMENT CLIP - LCP, BLACK, UL94V-O RATED
 CONTACT - COPPER ALLOY
 EMI GASKET - ELASTOMERIC
 GASKET FLANGE - STAINLESS STEEL
 LIGHT PIPE - POLYCARBONATE
 LIGHT PIPE PLATE - STAINLESS STEEL
 EMI SPRINGS - PHOSPHOR BRONZE PER ASTM B103
 INSULATOR TAPE: KAPTON
 - CONTACT FINISH:
 0.76µm MIN GOLD PER ASTM B 844 AT MATING INTERFACE,
 1.25µm MIN MATTE TIN PER ASTM B 545 AT PCB INTERFACE
 ALLOVER 2.54µm MIN NICKEL PER QQ-N-290.
 - PCB MINIMUM THICKNESS = 1.5mm
- ⚠ FOR HOLE SIZE AND PLATINGS,
SEE APPLICATION SPECIFICATION 114-13319
- ⚠ LIGHT PIPE PAD LAYOUT IS FOR 0805 LOW PROFILE
LED PACKAGE WITH A HEIGHT OF 0.8mm
- ⚠ THE ENTIRE AREA OF THE CONNECTOR FOOTPRINT, INDICATED BY THE
DASHED LINE, TO BE CONSIDERED THE KEEPOUT AREA FOR COMPONENTS
AND SIGNAL TRACES, TOP SIDE ONLY, TOP SIDE TRACES ALLOWED
WITHIN CONNECTOR HOLE PATTERN
- ⚠ DIMENSION APPLIES FROM EMI SPRINGS ONLY.

DELETED			NONE, AIRFLOW ENHANCE	2-2349201-4
DELETED	173.5	EMI SPRINGS	INNER, AIRFLOW ENHANCE	2-2349201-3
	173.5	EMI SPRINGS	NONE, AIRFLOW ENHANCE WITH INSULATOR TAPE	2-2349201-2
			NONE, AIRFLOW ENHANCE	2-2349201-1
	173.5	EMI SPRINGS	REVERSED OUTER	2-2349201-0
			CENTER/REVERSED OUTER	1-2349201-9
	176.25	EMI GASKET	REVERSED OUTER	1-2349201-8
			CENTER/REVERSED OUTER	1-2349201-7
	173.5	EMI SPRINGS	OUTER	2349201-8
			INNER	2349201-7
			INNER/OUTER	2349201-6
			NONE	2349201-5
	176.25	EMI GASKET	OUTER	2349201-4
			INNER	2349201-3
			INNER/OUTER	2349201-2
			NONE	2349201-1
(E)		CAGE TYPE	LIGHT PIPE CONFIGURATION	PART NUMBER

THIS DRAWING IS A CONTROLLED DOCUMENT. DIMENSIONING AND TOLERANCING PER ASME Y14.5M-2009

DIMENSIONS: mm
 TOLERANCES UNLESS OTHERWISE SPECIFIED:
 0 PLC ±0.25
 1 PLC ±0.25
 2 PLC ±0.25
 3 PLC ±0.25
 4 PLC ±0.25
 ANGLES ±°
 FINISH ±°

MATERIAL: SEE NOTES
 WEIGHT: -
 CUSTOMER DRAWING

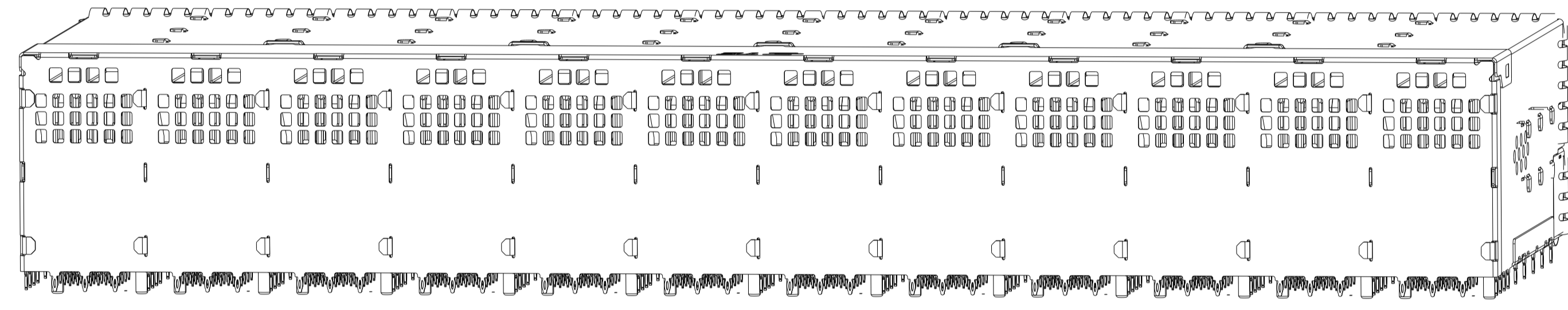
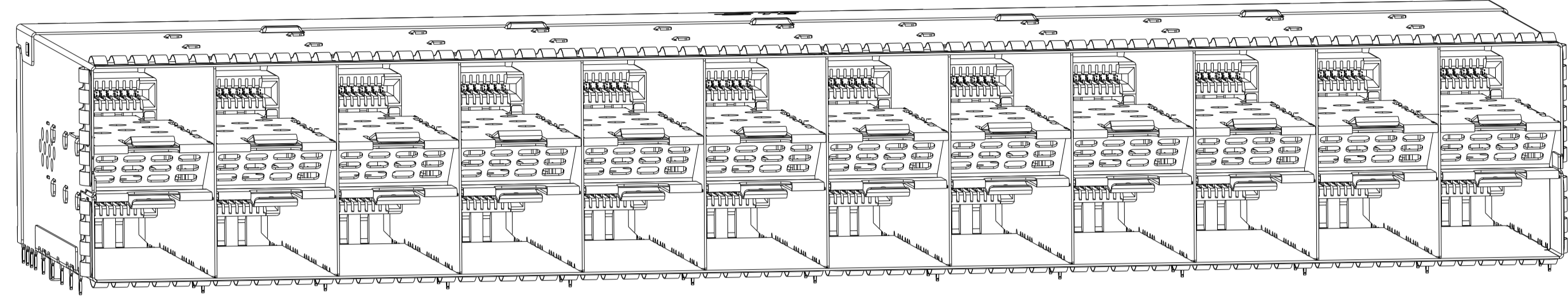
DWN: J. WANG 27FEB2019
 CHK: S. HAN 27FEB2019
 APVD: S. HAN 27FEB2019
 NAME: RECEPTACLE ASSEMBLY, 2X12, STACKED, SFP56
 PRODUCT SPEC: 108-2431
 APPLICATION SPEC: 114-13319
 SIZE: A1
 CAGE CODE: 00779
 DRAWING NO: 2349201
 RESTRICTED TO: -
 SCALE: 2:1
 SHEET: 1 OF 7
 REV: B2

TE Connectivity

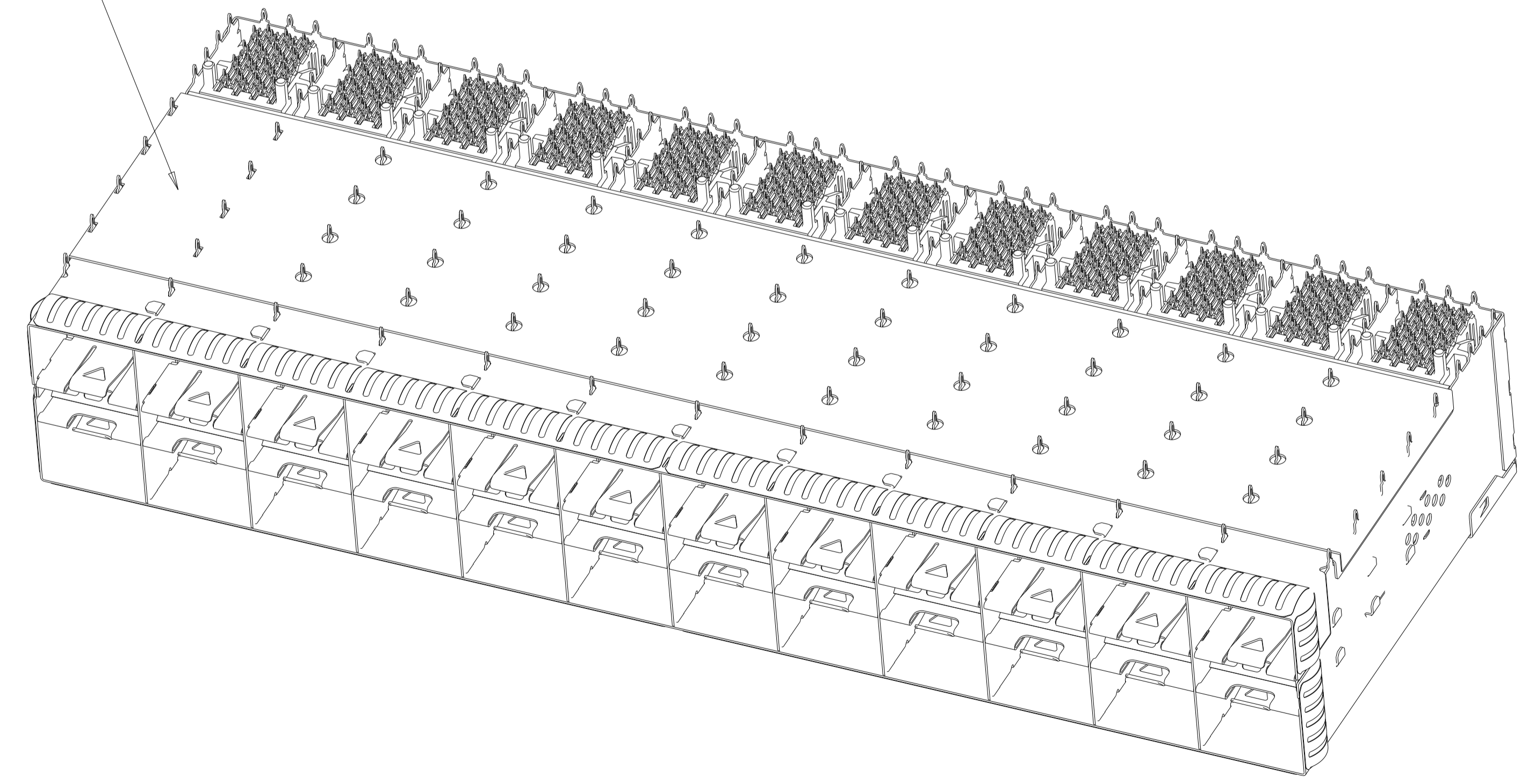
THIS DRAWING IS UNPUBLISHED. RELEASED FOR PUBLICATION 20
 © COPYRIGHT 20 BY TYCO ELECTRONICS ALL RIGHTS RESERVED.

LOC	DIST	REVISIONS					
GP	00	P	LYR	DESCRIPTION	DATE	DWN	APVD
		-		SEE SHEET 1			

2-2349201-1/2-2349201-2 AIR FLOW ENHANCE VERSION
 UNMARKED DIMENSIONS ARE SAME AS 2349201-7



INSULATOR TAPE
 ONLY FOR 2-2349201-2



SCALE 2:1

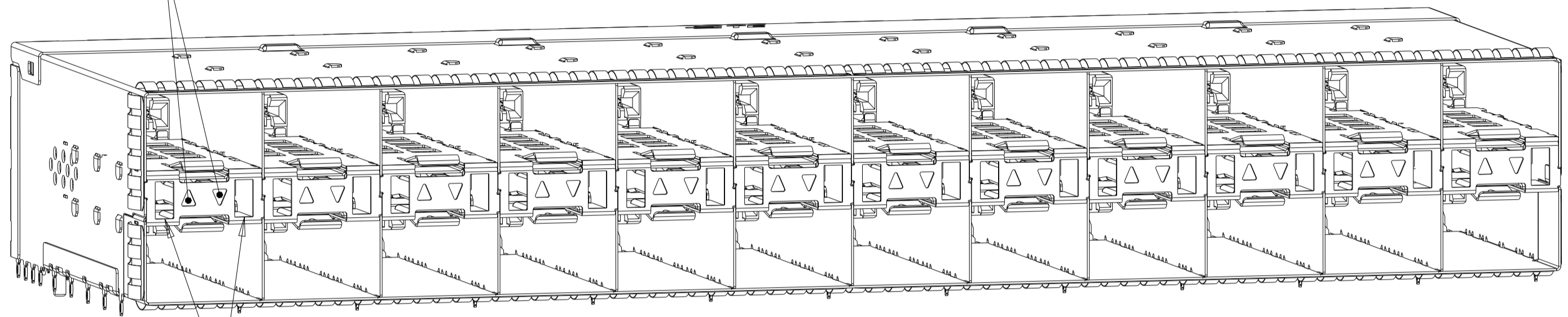
THIS DRAWING IS A CONTROLLED DOCUMENT.		DWN J. WANG 27FEB2019	
DIMENSIONS:		CHK S. HAN 27FEB2019	
mm	TOLERANCES UNLESS OTHERWISE SPECIFIED:	APVD S. HAN 27FEB2019	NAME RECEPTACLE ASSEMBLY, 2X12, STACKED, SFP56
	0 PLC ±0.25 1 PLC ±0.25 2 PLC ±0.25 3 PLC ±0.25 4 PLC ±0.25 ANGLES ±° FINISH ±5°	PRODUCT SPEC 108-2431	SIZE A1
MATERIAL SEE NOTES	SEE NOTES	APPLICATION SPEC 114-13319	CAGE CODE 00779
		WEIGHT -	DRAWING NO C=2349201
		CUSTOMER DRAWING	RESTRICTED TO -
		SCALE 2:1	SHEET 2 OF 7
			REV B2

LOC	DIST	REVISIONS					
GP	00	P	LYR	DESCRIPTION	DATE	DWN	APVD
		-		SEE SHEET 1			

2-2349201-3 AIR FLOW ENHANCE VERSION
UNMARKED DIMENSIONS ARE SAME AS 2-2349201-1

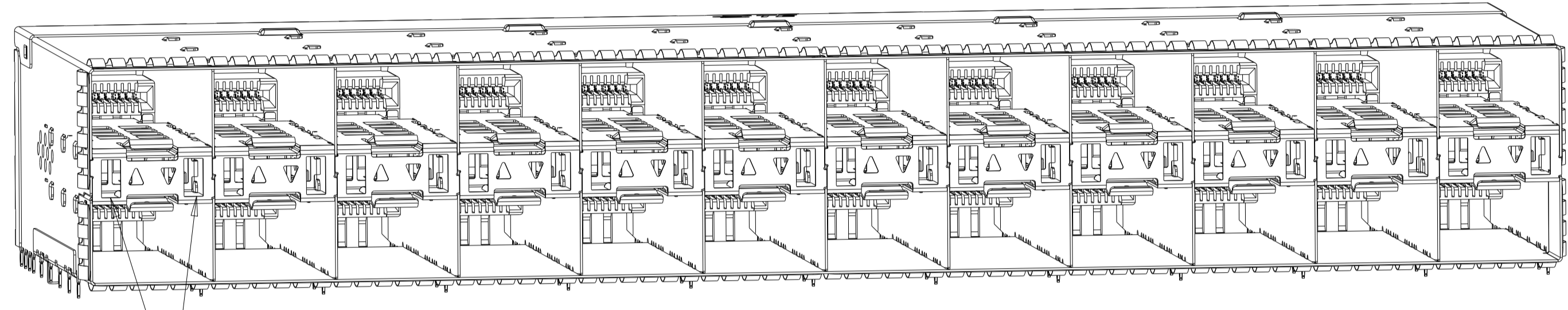
2-2349201-4 AIR FLOW ENHANCE VERSION
UNMARKED DIMENSIONS ARE SAME AS 2-2349201-1

INNER LIGHT PIPE



CUSTOMIZED VENT HOLES

SCALE 2:1

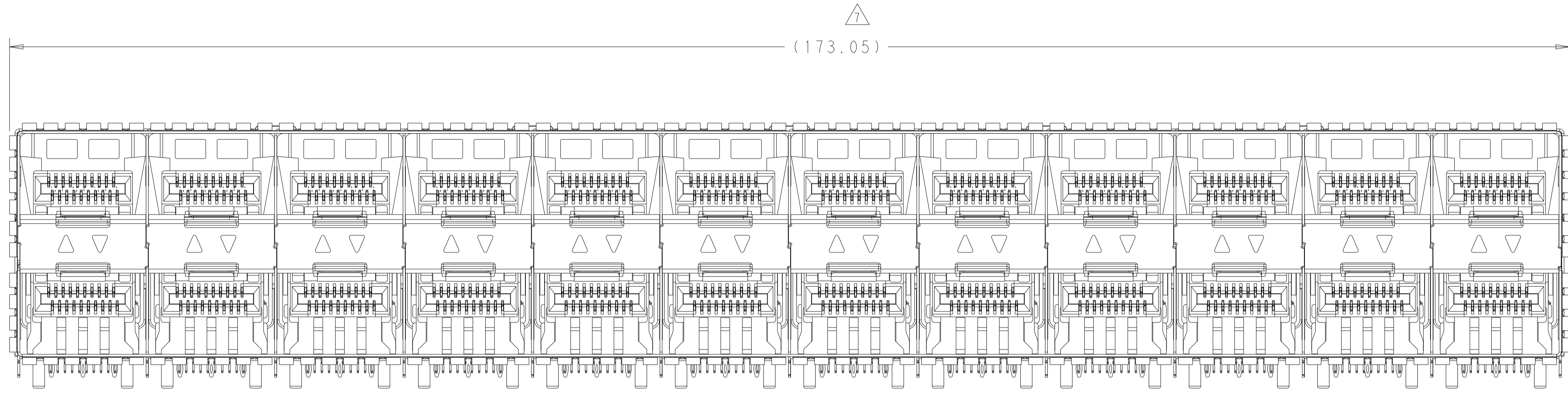


CUSTOMIZED VENT HOLES

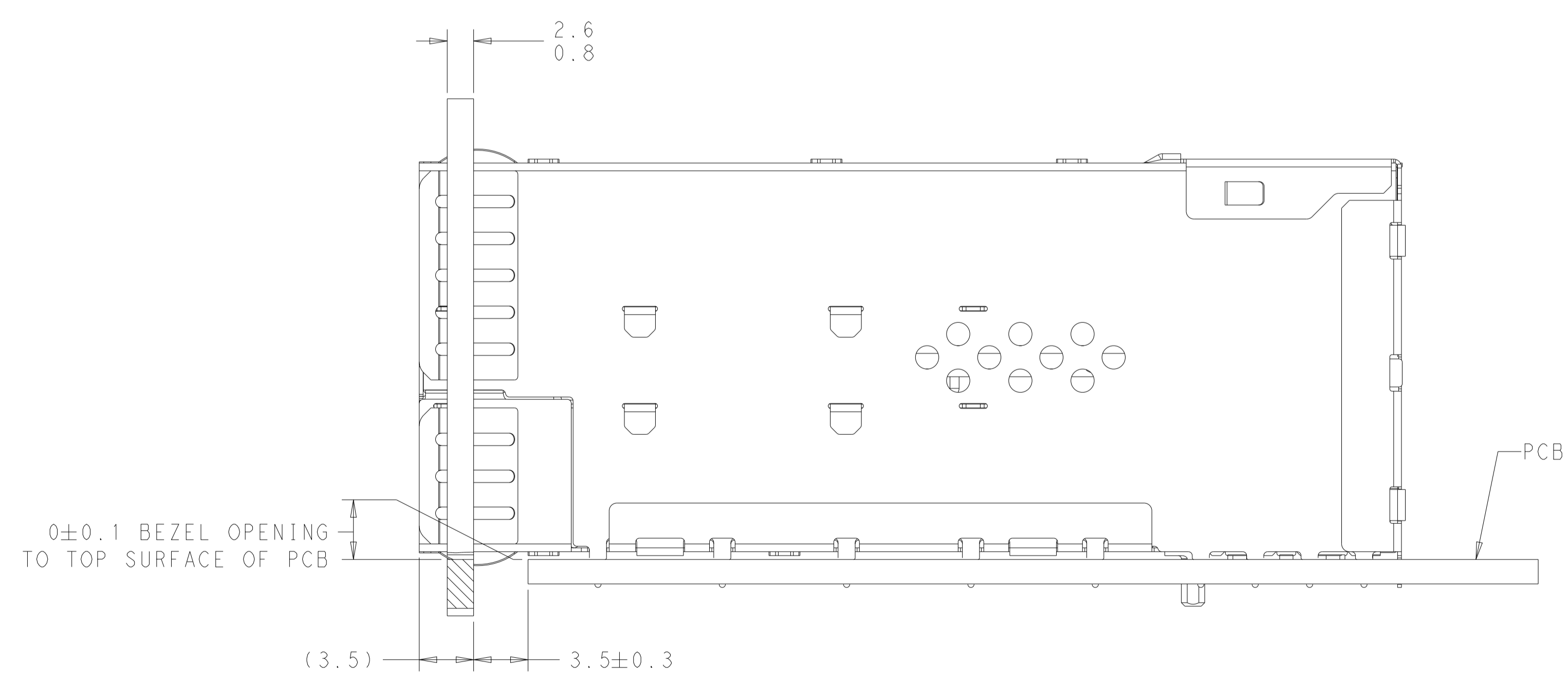
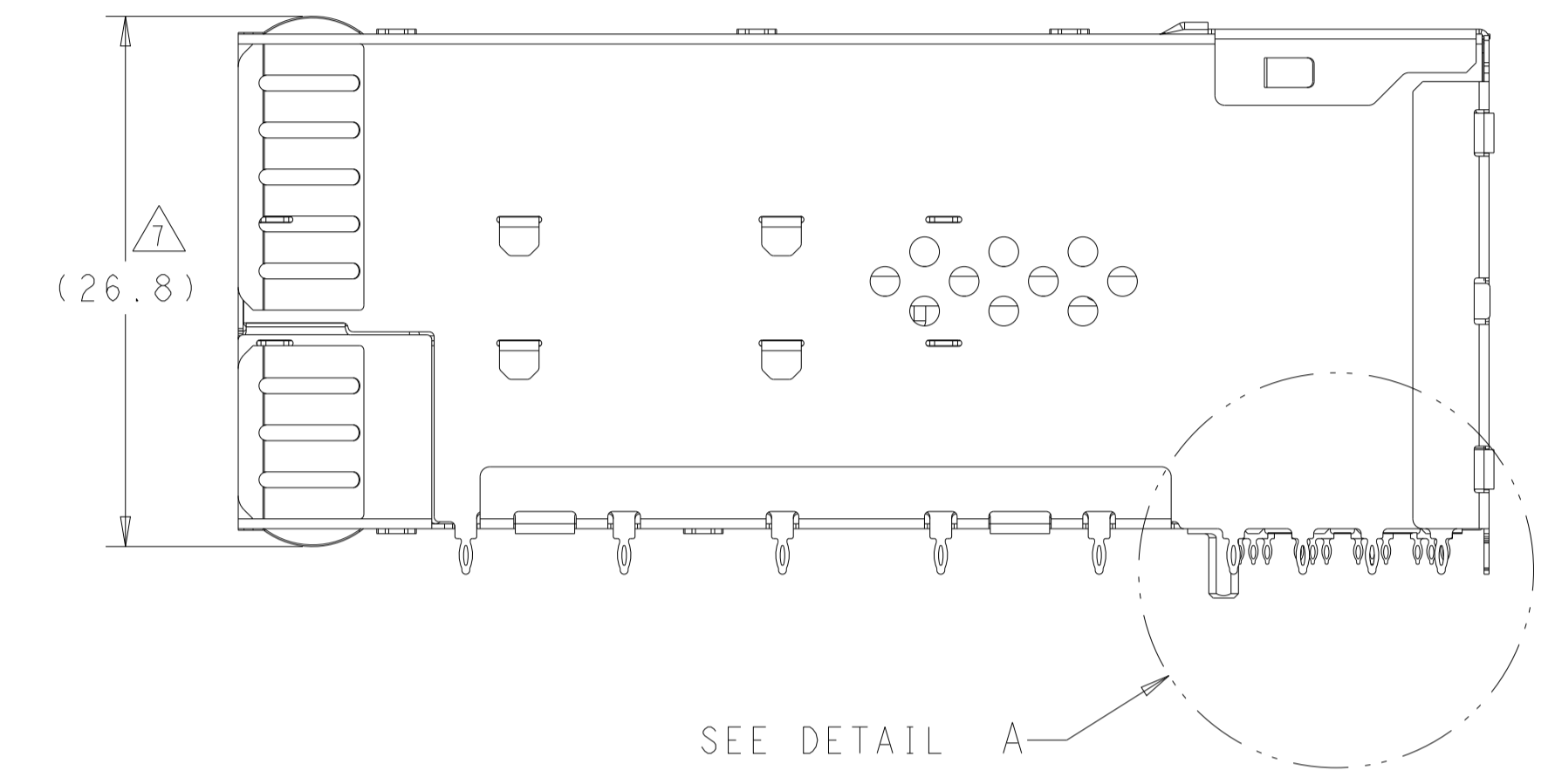
SCALE 2:1

THIS DRAWING IS A CONTROLLED DOCUMENT.		DWN J. WANG 27FEB2019	
		CHK S. HAN 27FEB2019	
DIMENSIONS:	TOLERANCES UNLESS OTHERWISE SPECIFIED:	APVD S. HAN 27FEB2019	NAME RECEPTACLE ASSEMBLY, 2X12, STACKED, SFP56
mm	0 PLC ±0.25 1 PLC ±0.25 2 PLC ±0.25 3 PLC ±0.25 4 PLC ±0.25	PRODUCT SPEC 108-2431	SIZE A1
	ANGLES FINISH ±5°	APPLICATION SPEC 114-13319	CAGE CODE A100779
MATERIAL SEE NOTES	SEE NOTES	WEIGHT CUSTOMER DRAWING	DRAWING NO C=2349201
		RESTRICTED TO	SCALE 2:1 SHEET 3 OF 7 REV B2

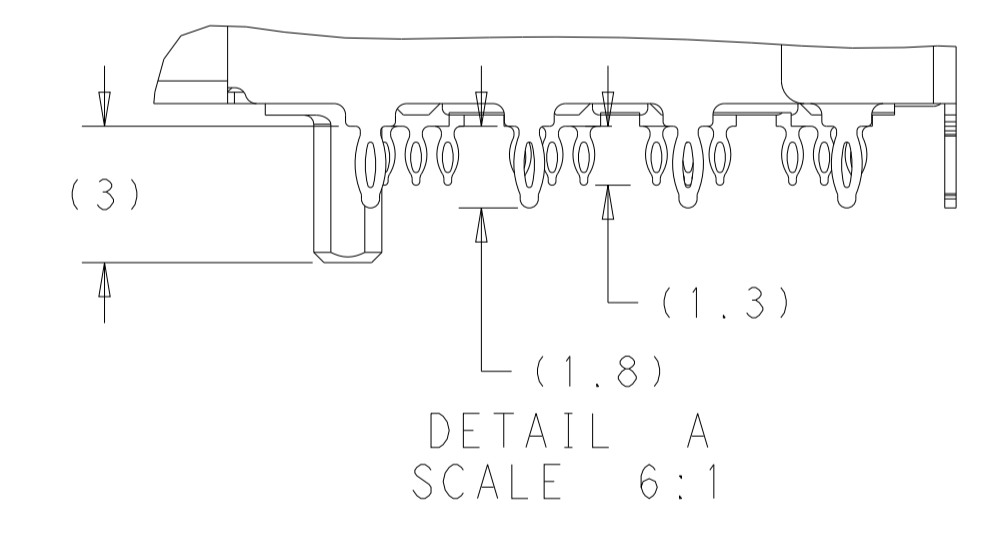
LOC	DIST	REVISIONS			
GP	00	REV	DATE	BY	APPV
-	-	SEE SHEET 1	-	-	-



2349201-7
 EMI SPRINGS ONLY
 SCALE 3:1



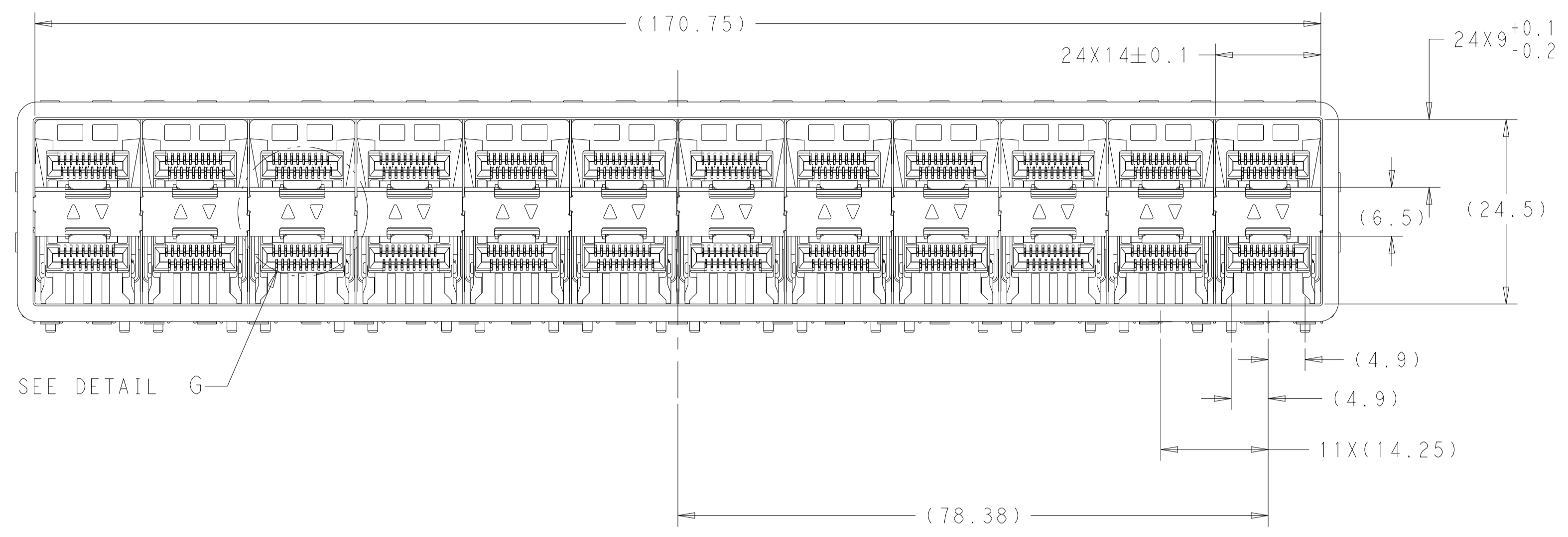
RECOMMENDED BEZEL LOCATION WITH EMI SPRINGS
 SCALE 4:1



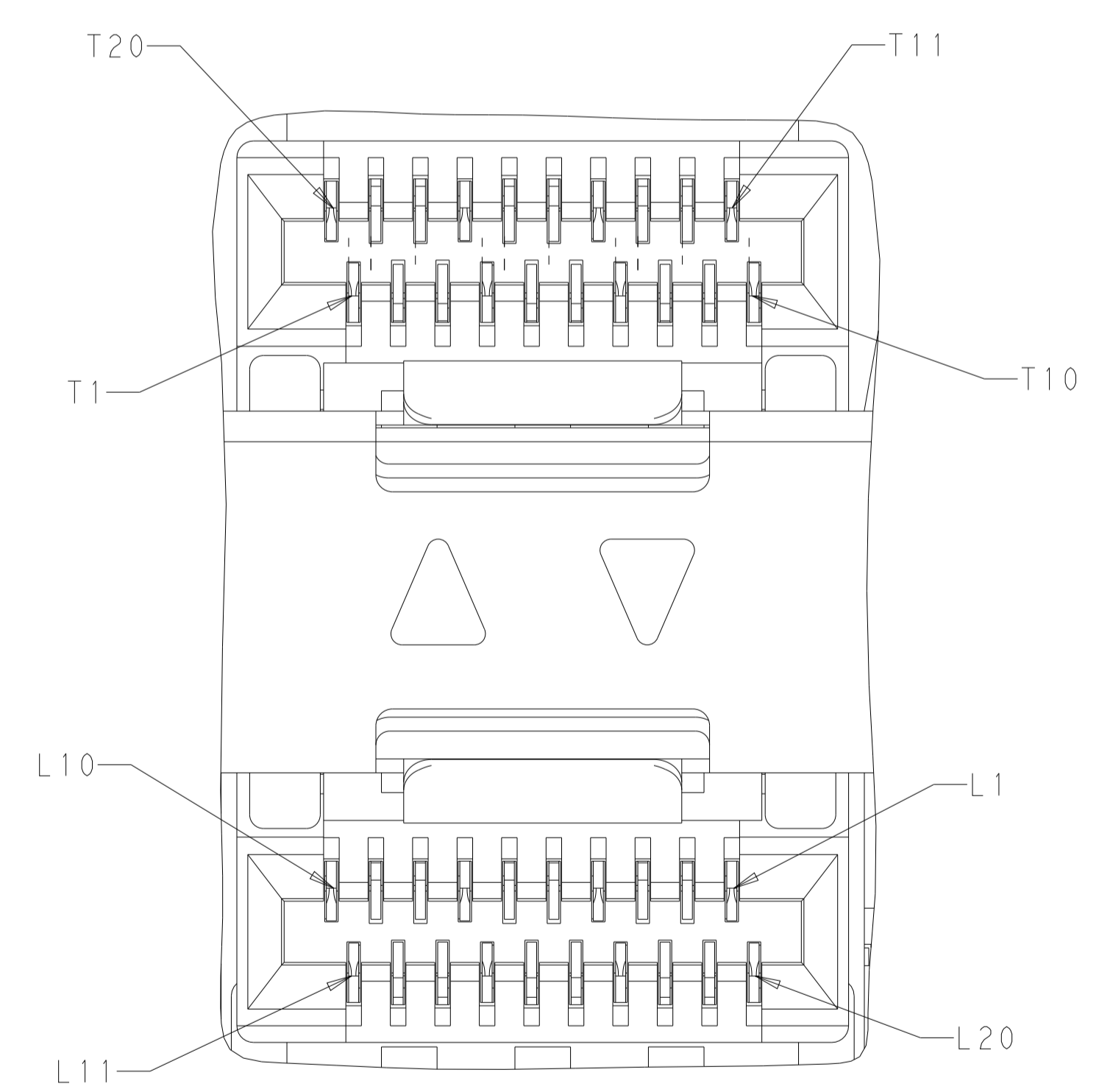
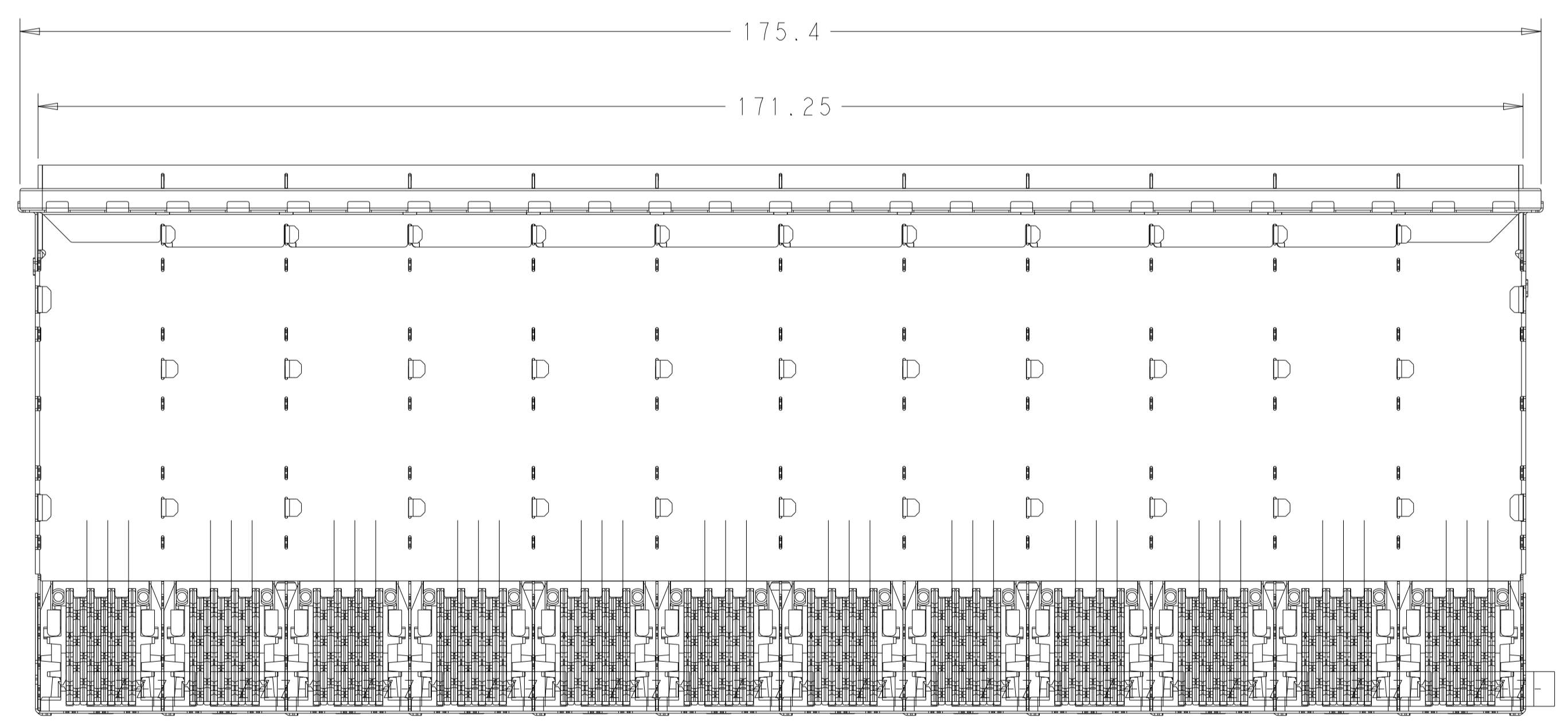
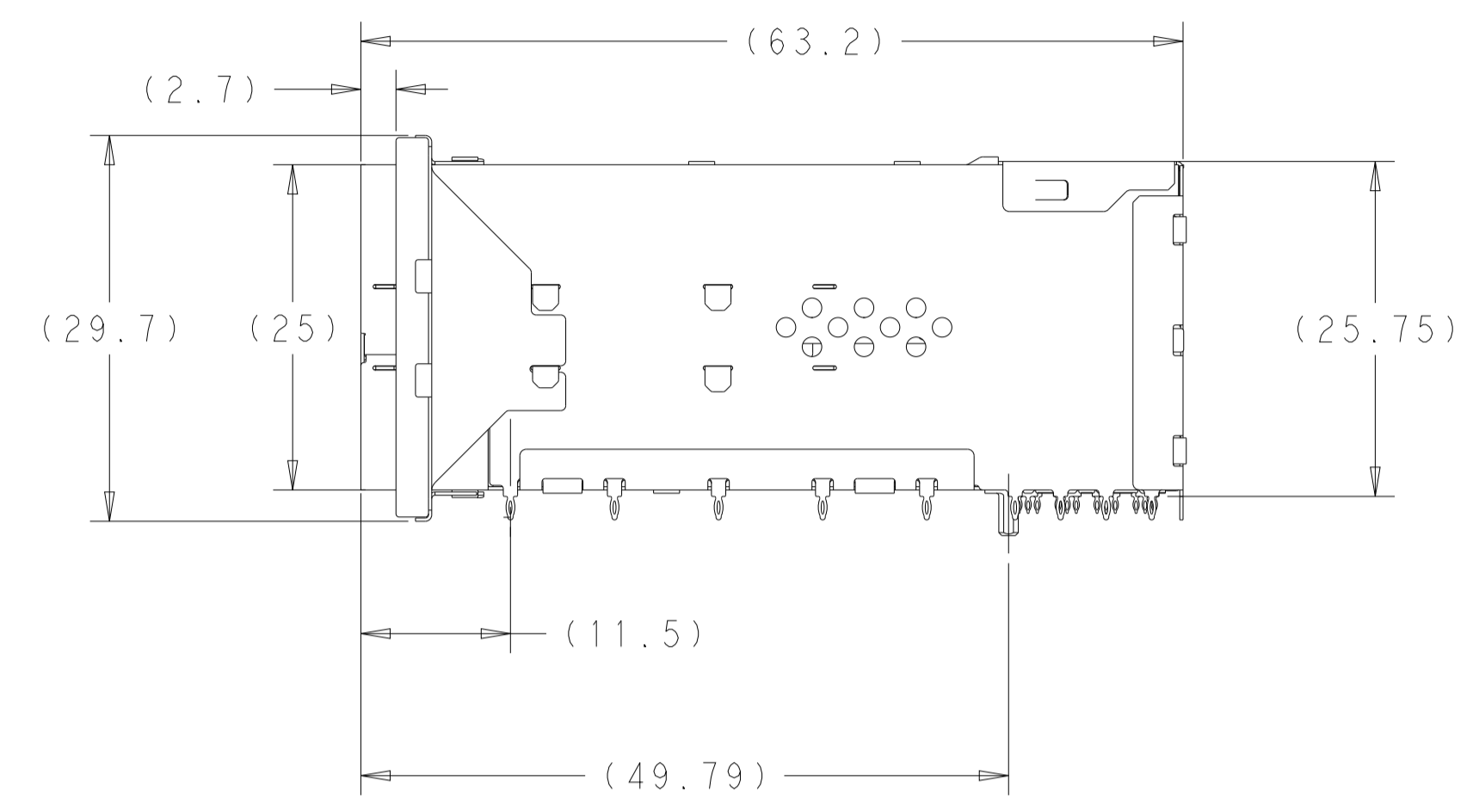
DETAIL A
 SCALE 6:1

THIS DRAWING IS A CONTROLLED DOCUMENT.		OWN: J. WANG 27FEB2019	TE Connectivity
DIMENSIONS: mm		CHK: S. HAN 27FEB2019	
TOLERANCES UNLESS OTHERWISE SPECIFIED:		APVD: S. HAN 27FEB2019	NAME: RECEPTACLE ASSEMBLY, 2X12, STACKED, SFP56
0 PLC	±0.25	PRODUCT SPEC	108-2431
1 PLC	±0.25	APPLICATION SPEC	114-13319
2 PLC	±0.25	SIZE	A100779C=2349201
3 PLC	±0.25	CAGE CODE	114-13319
4 PLC	±0.25	DRAWING NO	114-13319
ANGLES	±5°	RESTRICTED TO	-
FINISH	-	SCALE	2:1
SEE NOTES	SEE NOTES	SHEET	4 OF 7
CUSTOMER DRAWING		REV	B2

LOC		DIST		REVISIONS				
P	LTN	DATE	DMN	APVD	DESCRIPTION	DATE	DMN	APVD
-	-	-	-	-	SEE SHEET 1	-	-	-



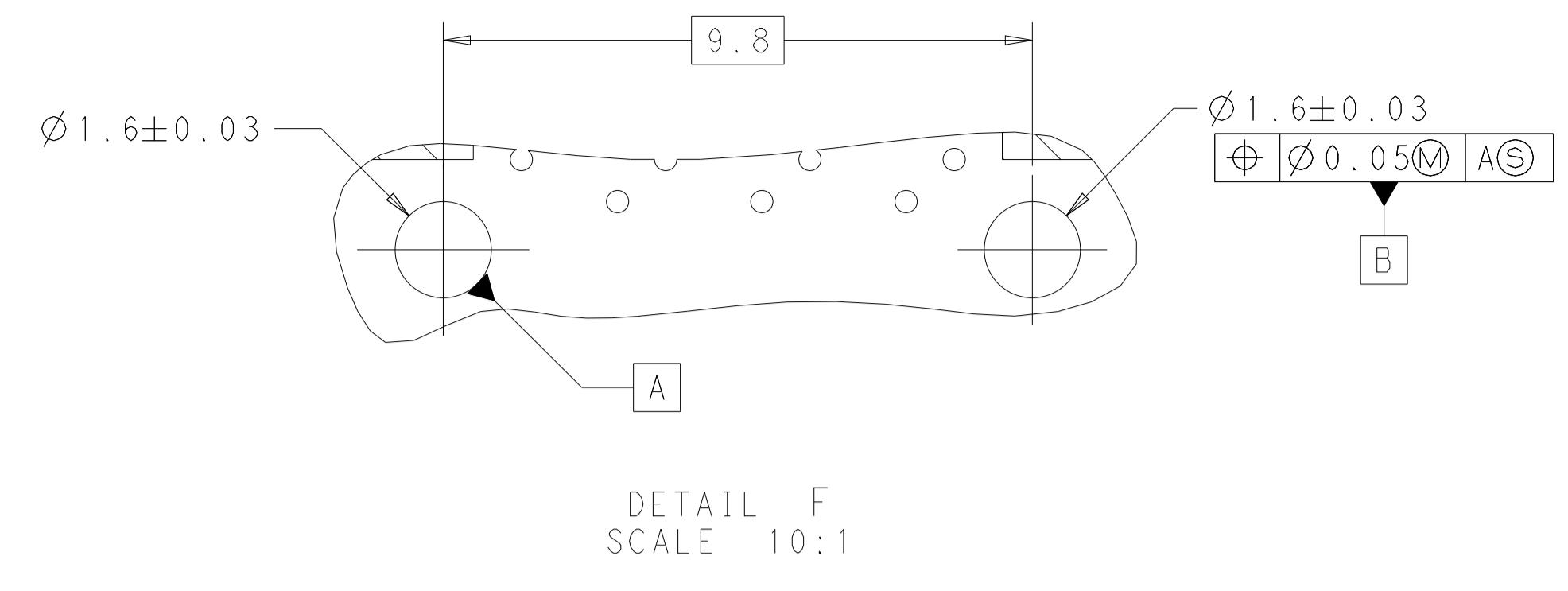
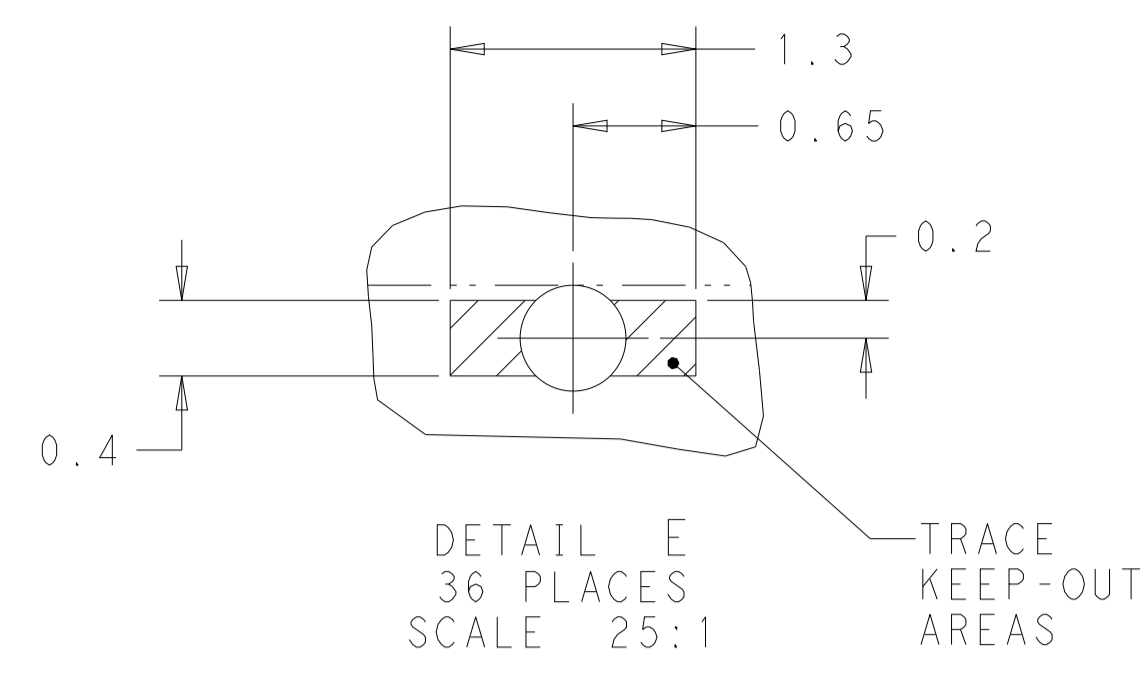
EMI GASKET VERSION



DETAIL G
 12X INDIVIDUALLY
 SCALE 10:1

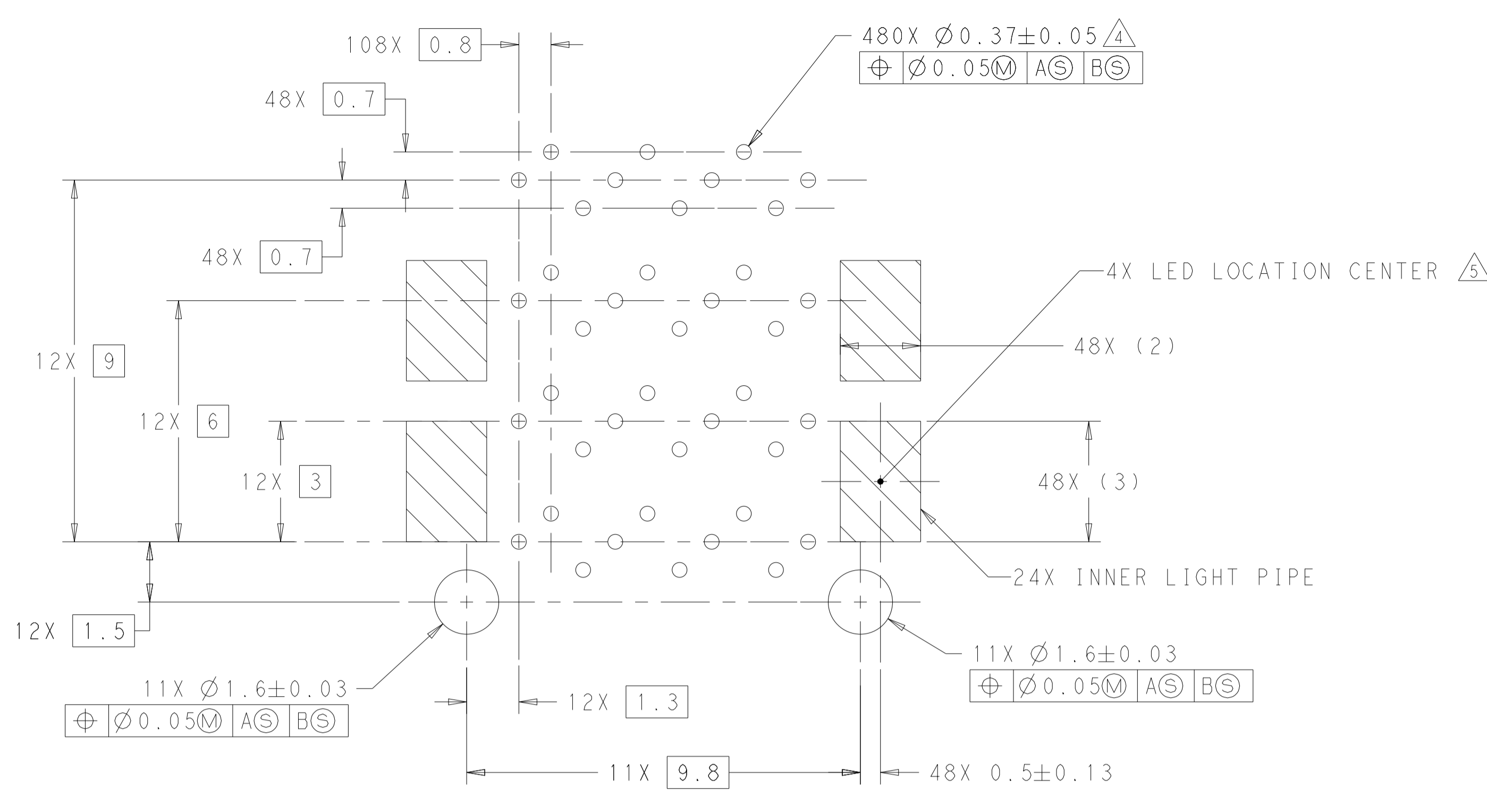
THIS DRAWING IS A CONTROLLED DOCUMENT. DIMENSIONING AND TOLERANCING PER ASME Y14.5M-2009.		DMN: J. WANG 27FEB2019	TE Connectivity NAME: RECEPTACLE ASSEMBLY, 2X12, STACKED, SFP56
DIMENSIONS: mm		CHK: S. HAN 27FEB2019	
TOLERANCES UNLESS OTHERWISE SPECIFIED:		APVD: S. HAN 27FEB2019	SIZE: A100779
0 PLC	±0.25	PRODUCT SPEC	CAGE CODE: 2349201
1 PLC	±0.25	APPLICATION SPEC	DRAWING NO: 2349201
2 PLC	±0.25	114-13319	RESTRICTED TO: -
3 PLC	±0.25	WEIGHT: -	SCALE: 2:1
4 PLC	±0.25	CUSTOMER DRAWING	SHEET 5 OF 7
ANGLES	±5°		REV: B2
FINISH			

LOC	DIST	REVISIONS			
GP	00	REV	DATE	BY	APPD
		1	SEE SHEET 1		

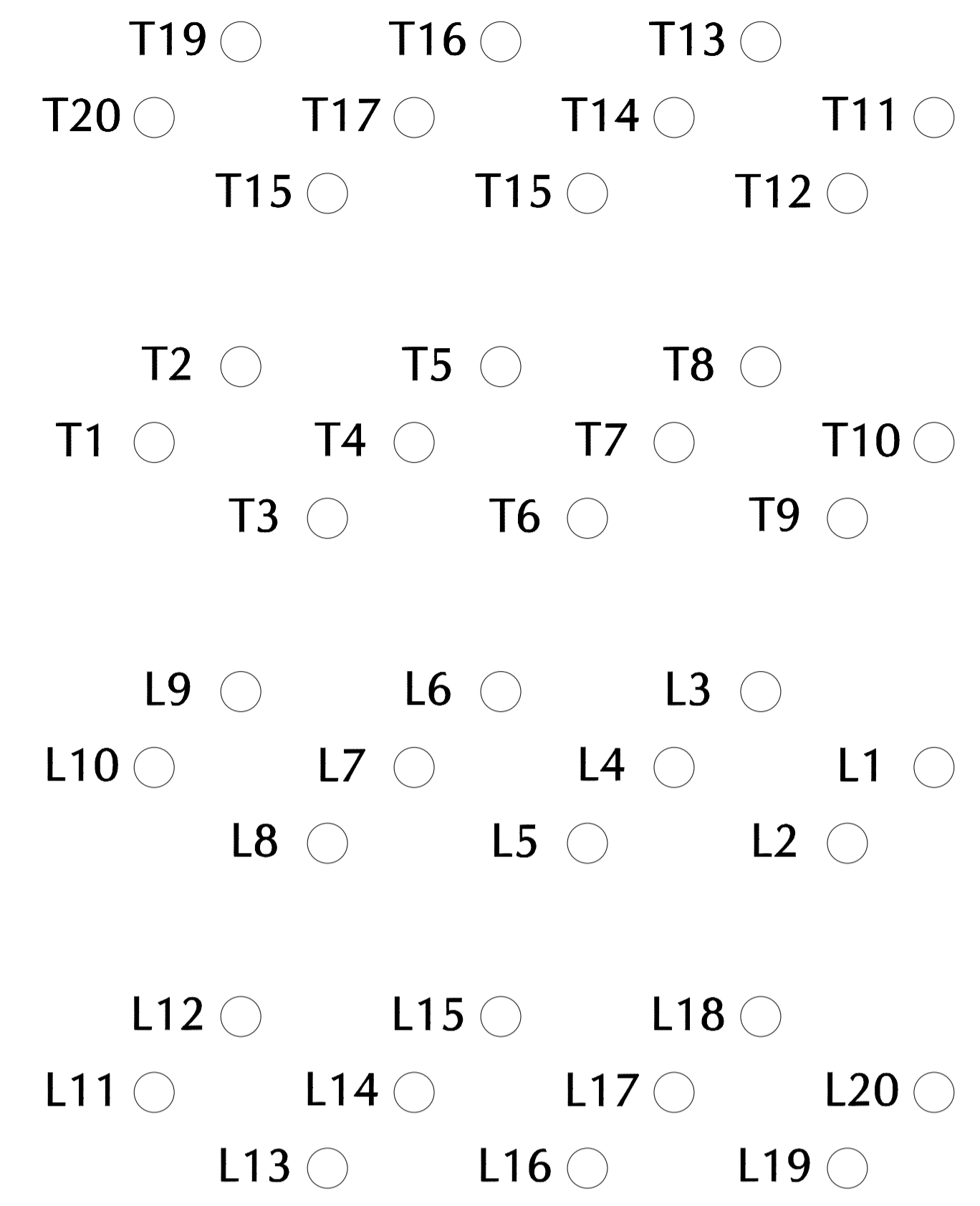


THIS DRAWING IS A CONTROLLED DOCUMENT. DIMENSIONING AND TOLERANCING PER ASME Y14.5M-2009.		OWN J. WANG 27FEB2019	TE Connectivity
DIMENSIONS: mm		CHK S. HAN 27FEB2019	
TOLERANCES UNLESS OTHERWISE SPECIFIED:		APVD S. HAN 27FEB2019	NAME RECEPTACLE ASSEMBLY, 2X12, STACKED, SFP56
0 PLC ±0.25	1 PLC ±0.25	PRODUCT SPEC 108-2431	SIZE CAGE CODE DRAWING NO. RESTRICTED TO
2 PLC ±0.25	3 PLC ±0.25	APPLICATION SPEC 114-13319	A1 00779 C=2349201
4 PLC ±0.25	ANGLES ±°	FINISH ±5°	SCALE 2:1 SHEET 6 OF 7 REV B2
MATERIAL SEE NOTES	WEIGHT	CUSTOMER DRAWING	

LOC	DIST	REVISIONS					
GP	00	P	LTN	DESCRIPTION	DATE	DMN	APVD
		-		SEE SHEET 1			

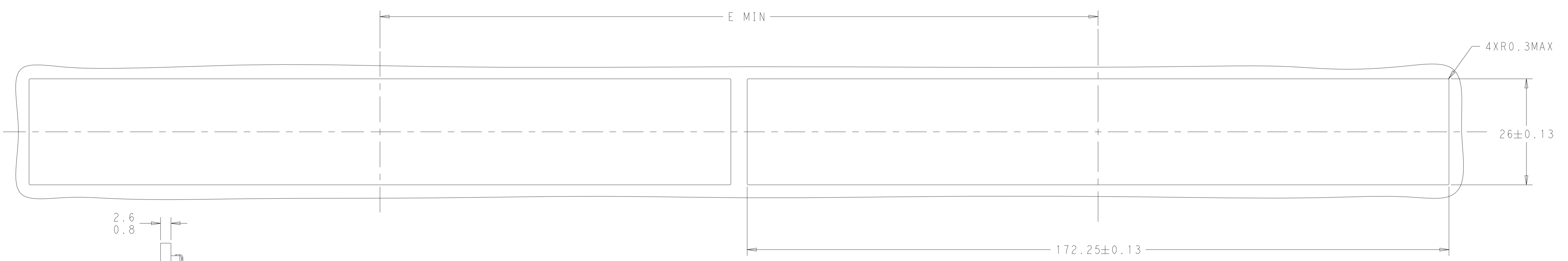


DETAIL C
 RECOMMENDED PIN AND LIGHT PIPE LAYOUT
 SCALE 10:1

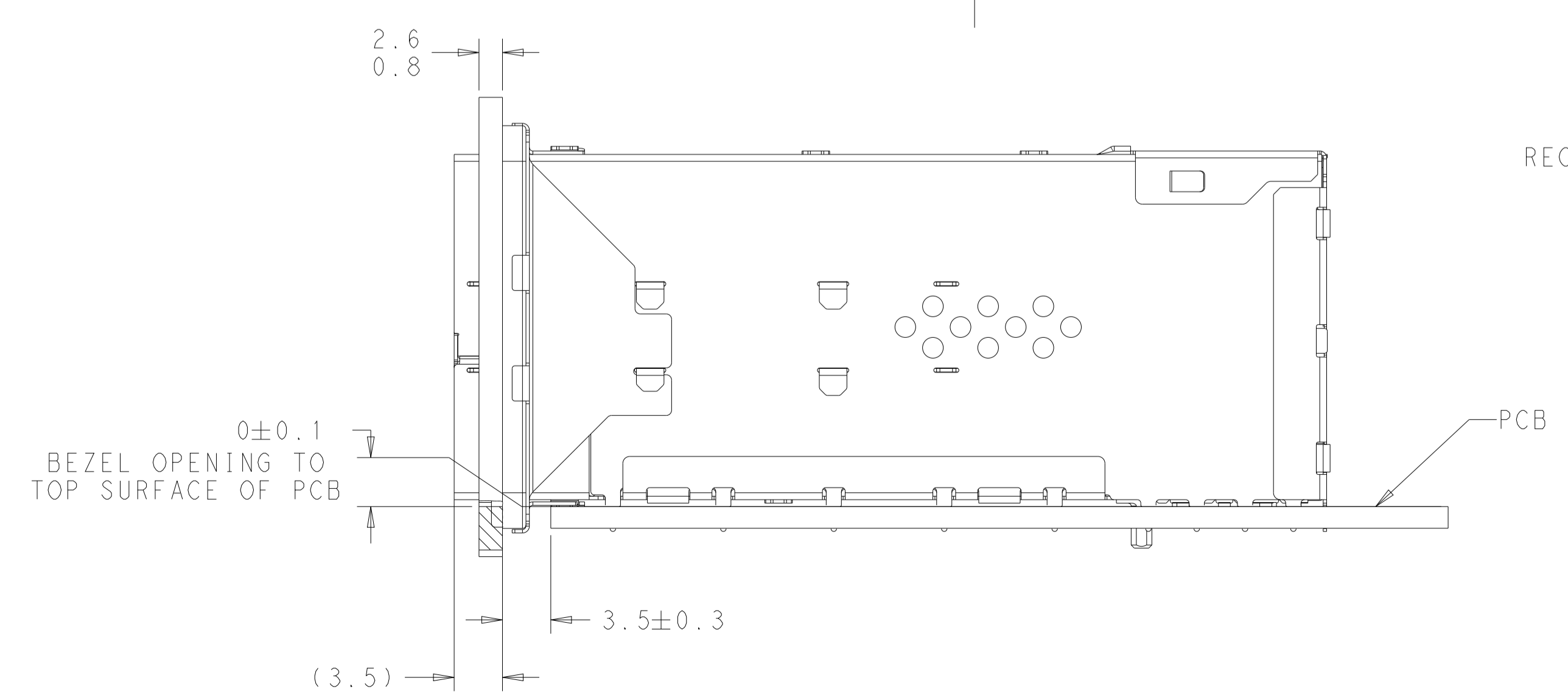


DETAIL D
 PIN MAP
 12 PLACES
 SCALE 20:1

PIN MAP LEGEND	
PIN NUMBER	FUNCTION
L1/T1	VEET
L2/T2	TX-FAULT
L3/T3	TX-DISABLE
L4/T4	SDA
L5/T5	SCL
L6/T6	MOD_ABS
L7/T7	RS0
L8/T8	RX_LOS
L9/T9	RS1
L10/T10	VEER
L11/T11	VEER
L12/T12	RD-
L13/T13	RD+
L14/T14	VEER
L15/T15	VCCR
L16/T16	VCCT
L17/T17	VEET
L18/T18	TD+
L19/T19	TD-
L20/T20	VEET



RECOMMENDED BEZEL CUT OUT DETAIL



RECOMMENDED BEZEL LOCATION WITH EMI GASKET
 SCALE 3:1

THIS DRAWING IS A CONTROLLED DOCUMENT. DIMENSIONING AND TOLERANCING PER ASME Y14.5M-2009.

DIMENSIONS:	TOLERANCES UNLESS OTHERWISE SPECIFIED:	DMN: J. WANG 27FEB2019	TE Connectivity
mm	0 PLC ±0.25	CHK: S. HAN 27FEB2019	
	1 PLC ±0.25	APVD: S. HAN 27FEB2019	
	2 PLC ±0.25	NAME: RECEPTACLE ASSEMBLY, 2X12, STACKED, SFP56	
	3 PLC ±0.25	PRODUCT SPEC: 108-2431	
	4 PLC ±0.25	APPLICATION SPEC: 114-13319	
	ANGLES: ±°	SIZE: A1	
	FINISH: ±5°	CAGE CODE: 00779	
MATERIAL: SEE NOTES	WEIGHT: -	DRAWING NO: C=2349201	RESTRICTED TO: -
		CUSTOMER DRAWING	SCALE: 2:1 SHEET 7 OF 7 REV: B2