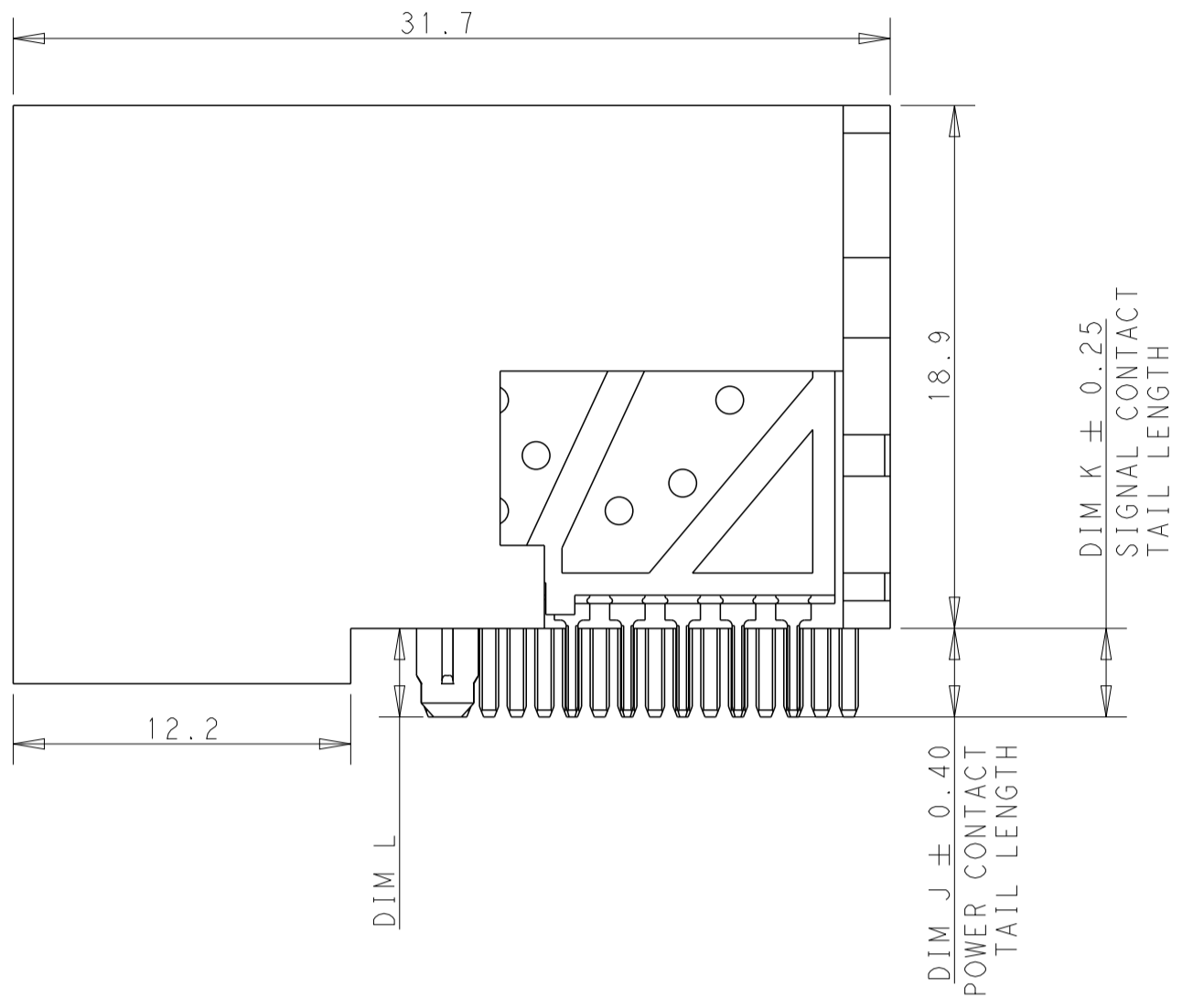
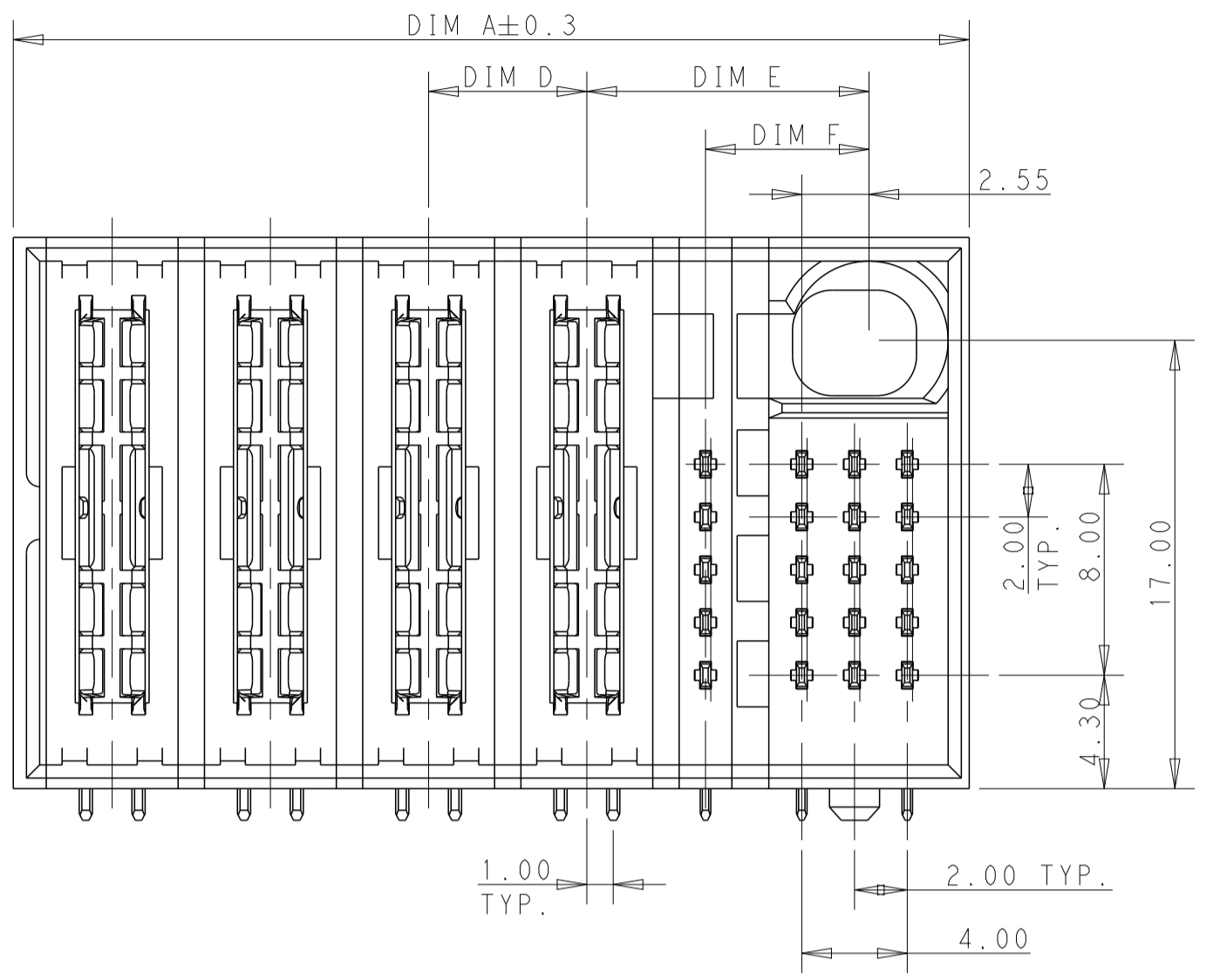
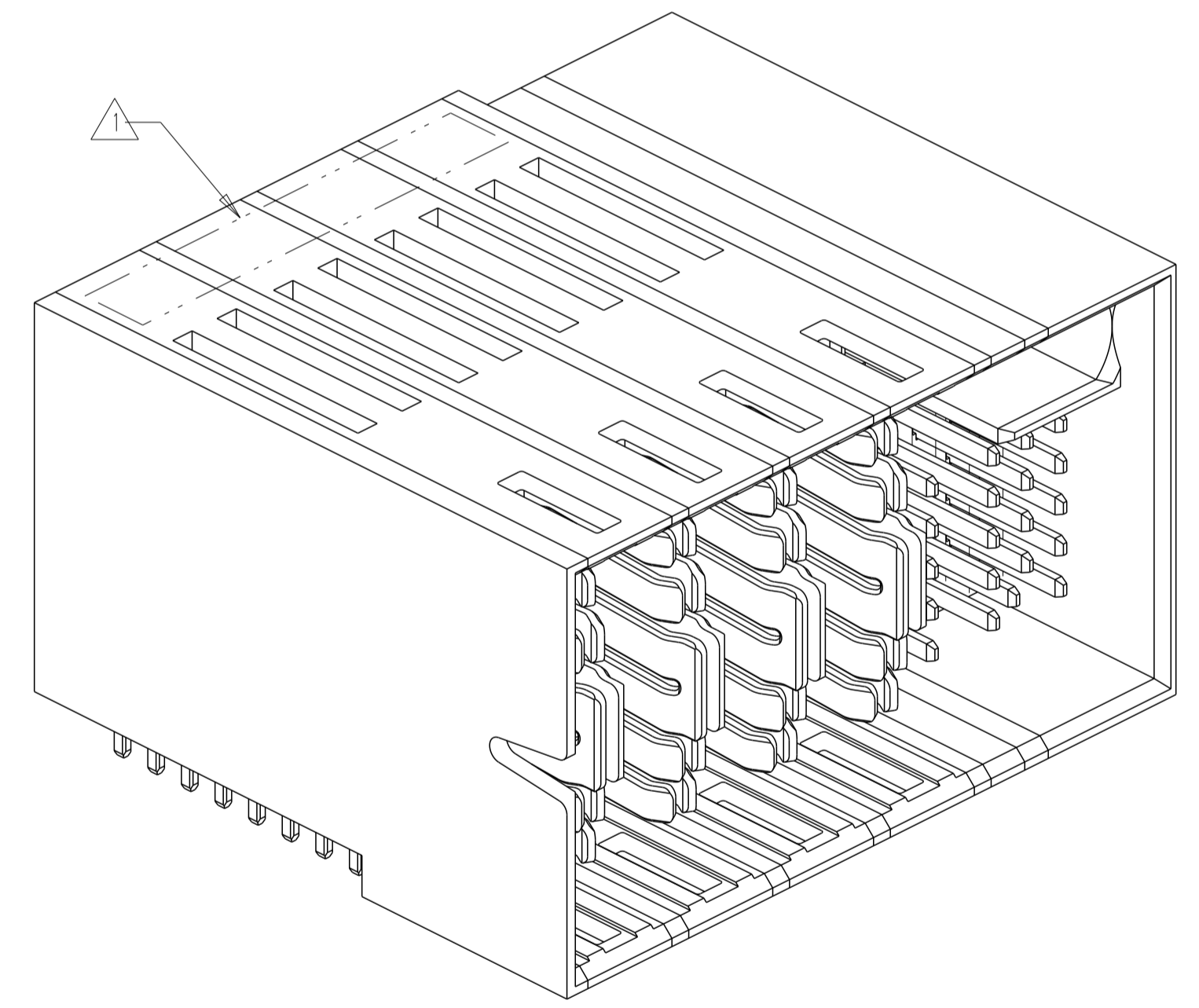
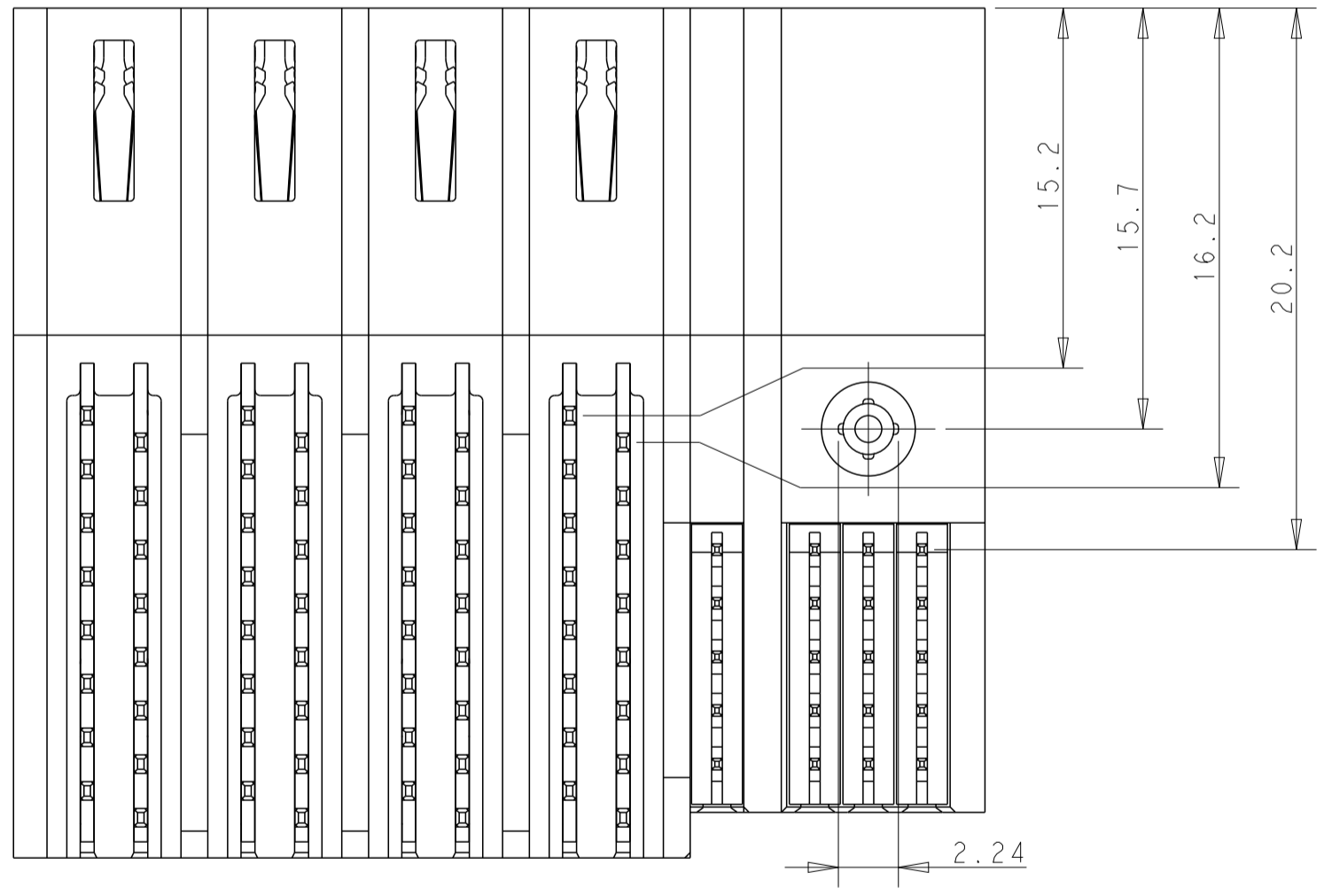


REVISIONS				
P	LTN	DESCRIPTION	DATE	APPV
A7	ECR-19-018617		29NOV2019	TZ SZ
A8	ECR-21-119940		22OCT2021	TZ SH
A9	ADD THE 1-**-2 PCB LAYOUT		11NOV2021	TZ SH
A10	MODIFY THE FOOTPRINT 1-**-2		24NOV2021	TZ SH



- NOTES, UNLESS OTHERWISE SPECIFIED:
- 1. "TE", PART NUMBER AND DATE CODE TO BE MARKED IN AREA SHOWN.
  - 2. MATERIAL: HOUSING - GLASS FILLED HIGH TEMP THERMO PLASTIC, COLOR: BLACK, UL94 V- 0. SIGNAL CONTACT - HIGH CONDUCTIVITY COPPER ALLOY. POWER CONTACT - HIGH CONDUCTIVITY COPPER ALLOY.
  - 3. CONTACT PLATING: MATING AREA - NOBLE METAL OVERALL NICKEL. TAIL SIDE AREA - MATTE TIN OVERALL NICKEL.
  - 4. MECHANICAL CONNECTOR KEEP OUT ZONE.
  - 5. DATUM AND BASIC DIMENSIONS ESTABLISHED BY CUSTOMER.
  - 6. PCB - ALL HOLE DIAMETERS ARE FINISHED HOLE SIZES.
  - 7. PCB HOLE: POWER - 1.15±0.025 MM DRILLED HOLES SIZE PLATING WITH 0.0076 MM MIN. Sn OVER 0.025-0.076 MM Cu PLATING TO ACHIEVE A 1.02 MM DIA. HOLE. SIGNAL - 0.835±0.025 MM DRILLED HOLES SIZE PLATING WITH 0.0076 MM MIN. Sn OVER 0.025-0.076 MM Cu PLATING TO ACHIEVE A 0.72 MM DIA. HOLE.
  - 8. THE UN-MATING DISTANCE IS 2.0MM FOR THE P/N: 1-2204456-0



PRELIMINARY	3.20	2.70	3.20	-	5.00	20.70	25.70	6.20	10.70	5.00	38.25	2P+2LP+2P+20S	1-2204456-5
PRELIMINARY	3.20	3.20	3.20	13.00	5.00	59.15	59.70	26.00	39.00	52.00	67.25	10S+1P+2P+2P+2P	1-2204456-4
PRELIMINARY	3.20	3.20	3.20	-	5.00	-	12.70	-	-	-	20.25	2P+15S	1-2204456-3
PRELIMINARY	3.20	3.20	3.20	-	5.00	-	12.70	-	-	-	20.25	2MP+15S	1-2204456-2
PRELIMINARY	3.20	3.20	3.20	-	5.00	20.70	25.70	6.20	10.70	5.00	38.25	2P+2LP+2P+20S	1-2204456-0
PRELIMINARY	3.20	3.20	3.20	-	5.00	-	32.70	-	6.20	2.00	40.50	5P+25S	2204456-9
PRELIMINARY	3.20	3.20	3.20	-	-	-	-	-	7.70	5.00	40.50	15S+6P	2204456-8
PRELIMINARY	3.20	3.20	3.20	-	5.00	/	46.70	6.20	10.70	6.00	63.75	3VMP+6VP+20S	2204456-7
PRELIMINARY	3.20	2.40	3.20	-	5.00	20.70	25.70	6.20	10.70	5.00	38.25	2P+2LP+2P+20S	2204456-6
PRELIMINARY	3.20	3.20	3.20	-	5.00	20.70	25.70	6.20	10.70	5.00	38.25	2P+2LP+2P+20S	2204456-3
PRELIMINARY	3.20	3.20	3.20	-	-	-	-	6.20	10.70	6.00	36.25	4VP+20S	2204456-1
DIM L	DIM K	DIM J	DIM H	DIM G	DIM C	DIM B	DIM F	DIM E	DIM D	DIM A	DESCRIPTION	PART NUMBER	

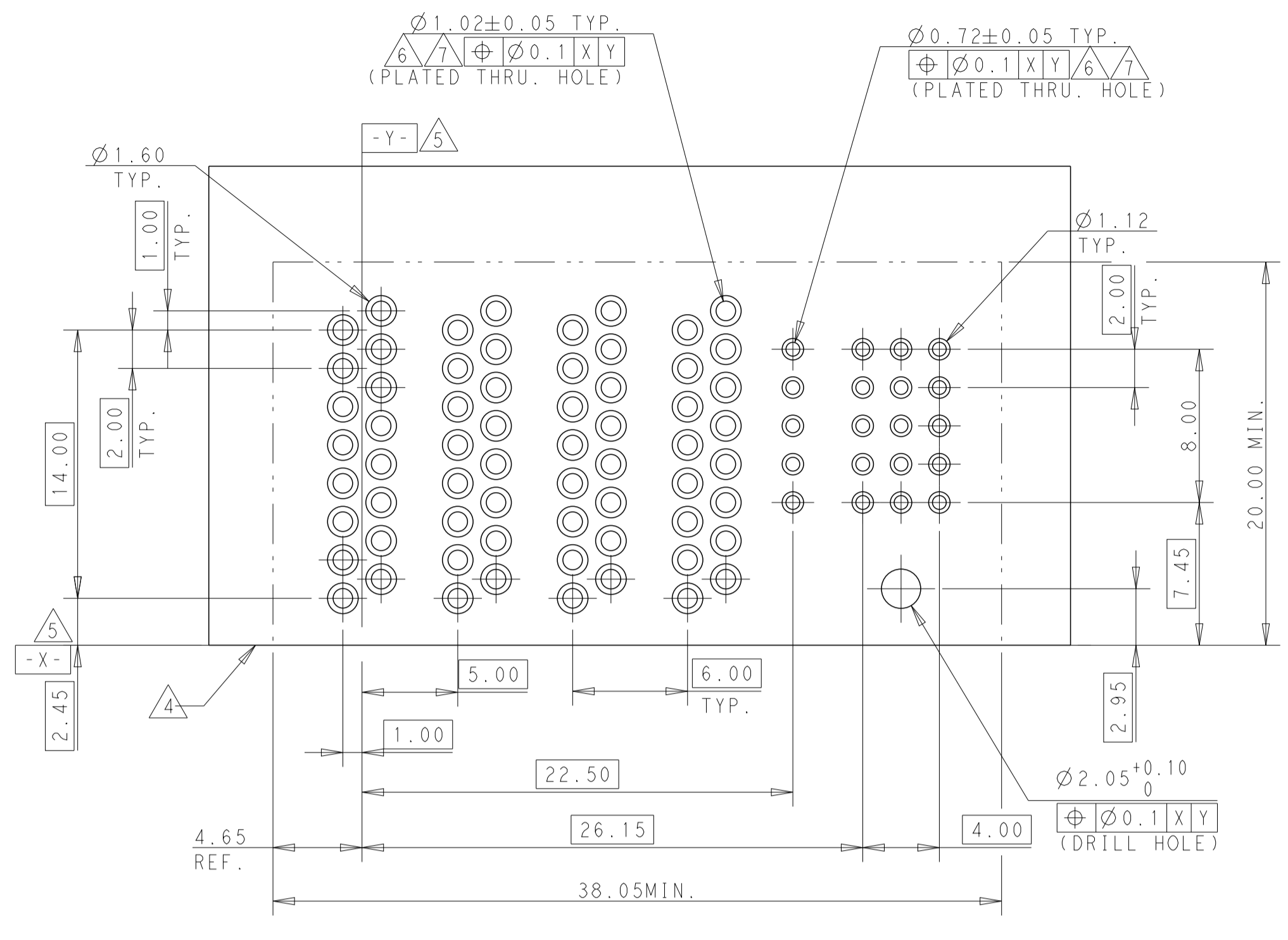
THIS DRAWING IS A CONTROLLED DOCUMENT. DIMENSIONS: mm. TOLERANCES UNLESS OTHERWISE SPECIFIED: 0 PLC ±0.4, 1 PLC ±0.4, 2 PLC ±0.75, 3 PLC ±1.15, 4 PLC ±0.0001, ANGLES ±.

MATERIAL: 2. FINISH: 3.

DATE: 27JULY2016. CHK: THOMAS ZHAO. APVD: SUNY ZHAO. NAME: SUNY ZHAO. PRODUCT SPEC: CUSTOMER DRAWING R/A PLUG WITH SINGAL GUIDE MULTI-BEAM HD SOLDER TYPE. APPLICATION SPEC: RESTRICTED TO. SIZE: A1. CAGE CODE: - . DRAWING NO: C=2204456. WEIGHT: - . SHEET 1 OF 5. SCALE: 5:1. REV: A11.

STE TE Connectivity

REVISIONS				
P	LTN	DESCRIPTION	DATE	APVD
-	-	SEE SHEET 1	-	-



PCB LAYOUT PART NUMBER: 2204456-1

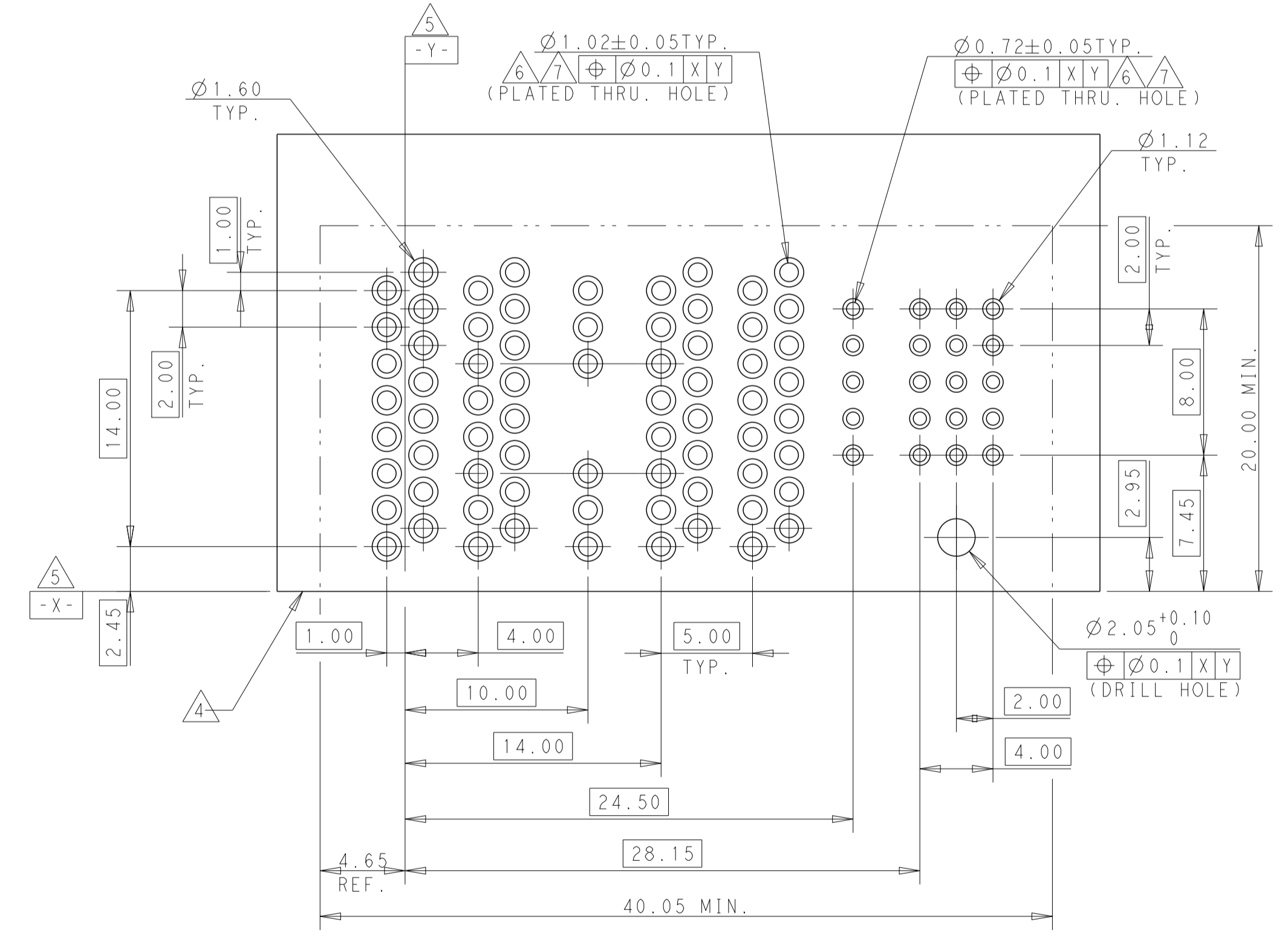
PART NUMBER	POWER				SIGNAL				ROWS
	P1	P2	P3	P4	1	2	3	4	
2204456-1	PK	PK	PK	PK	VK	VK	VK	VK	E D C B A
4VP+20S									

PART NUMBER	POWER				SIGNAL				ROWS	
	P1	P2	LP	P3	P4	1	2	3		4
2204456-3	PK	PK	LK	LK	PK	VK	VK	VK	VK	E D C B A
2P+2LP+2P+20S										

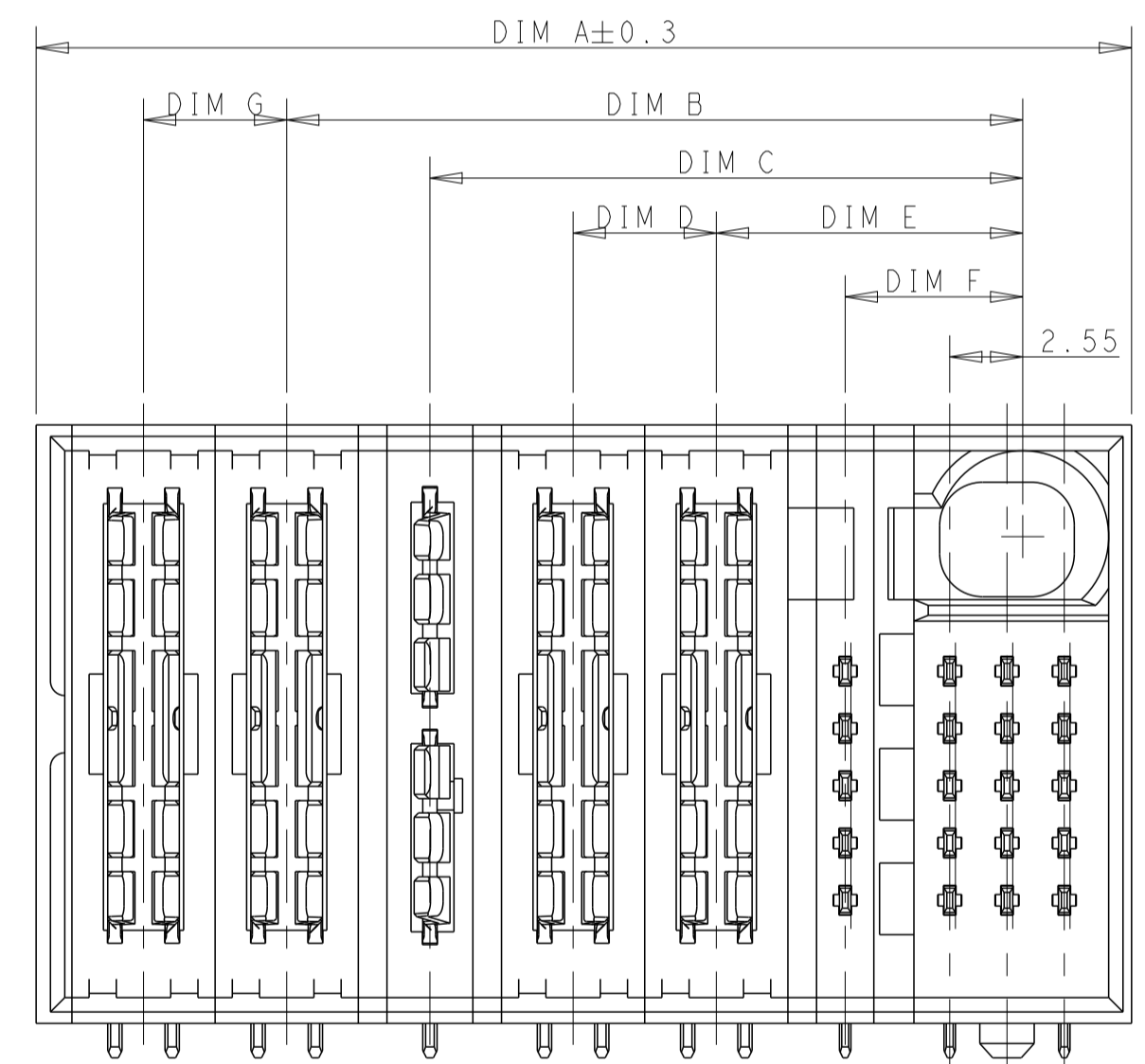
PART NUMBER	POWER				SIGNAL				ROWS	
	P1	P2	LP	P3	P4	1	2	3		4
2204456-6	PK	PK	LK	LK	PK	VJ	VJ	VJ	VJ	E D C B A
2P+2LP+2P+20S										

PART NUMBER	POWER						SIGNAL				ROWS			
	MP1	MP2	MP3	P1	P2	P3	P4	P5	P6	1		2	3	4
2204456-7	MK	MK	MK	PK	PK	PK	PK	PK	PK	VK	VK	VK	VK	E D C B A
3VMP+6VP+20S														

PART NUMBER	POWER				SIGNAL				ROWS	
	P1	P2	LP	P3	P4	1	2	3		4
1-2204456-0	PK	PK	LK	LK	PK	VY	VY	VY	VY	E D C B A
2P+2LP+2P+20S										



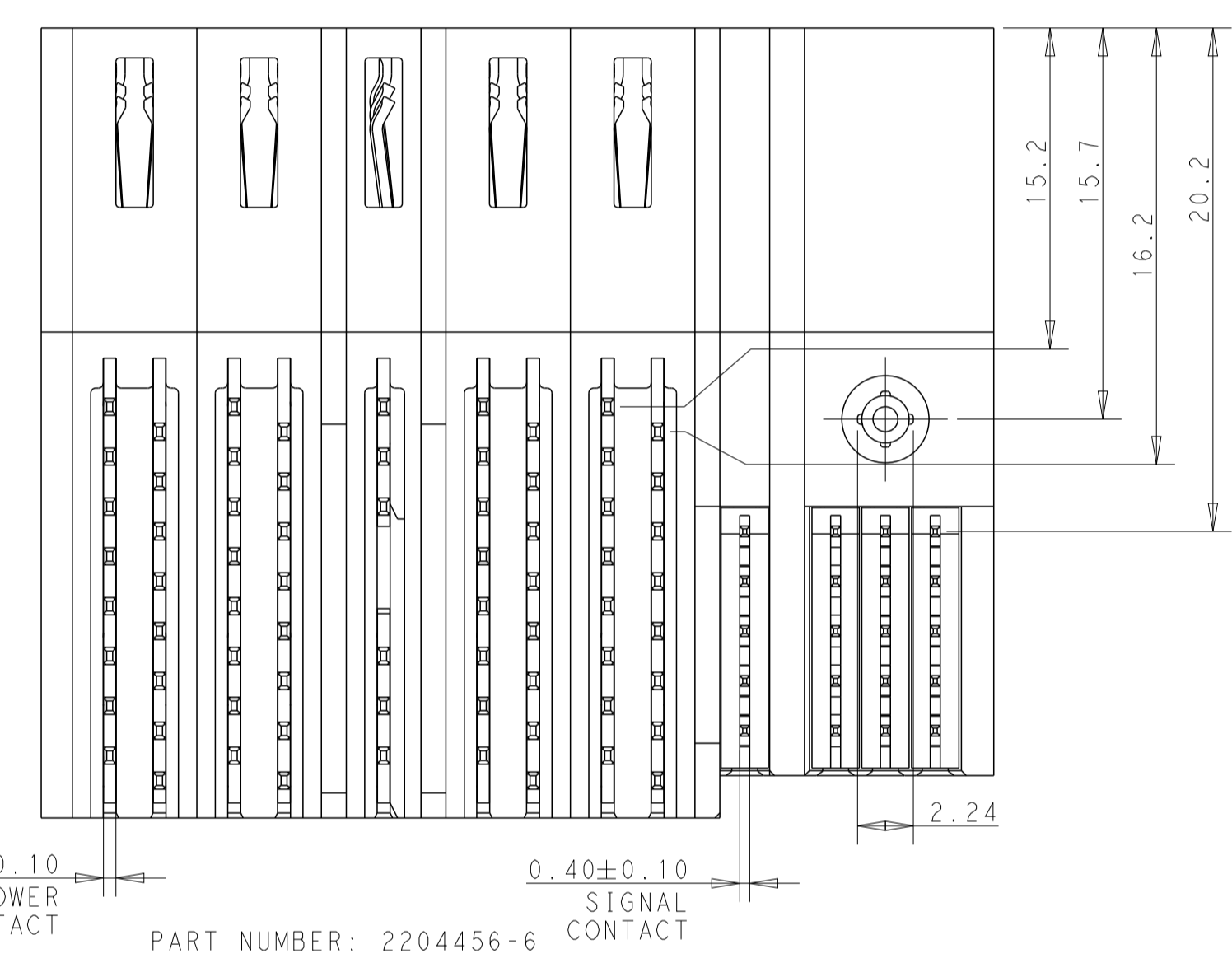
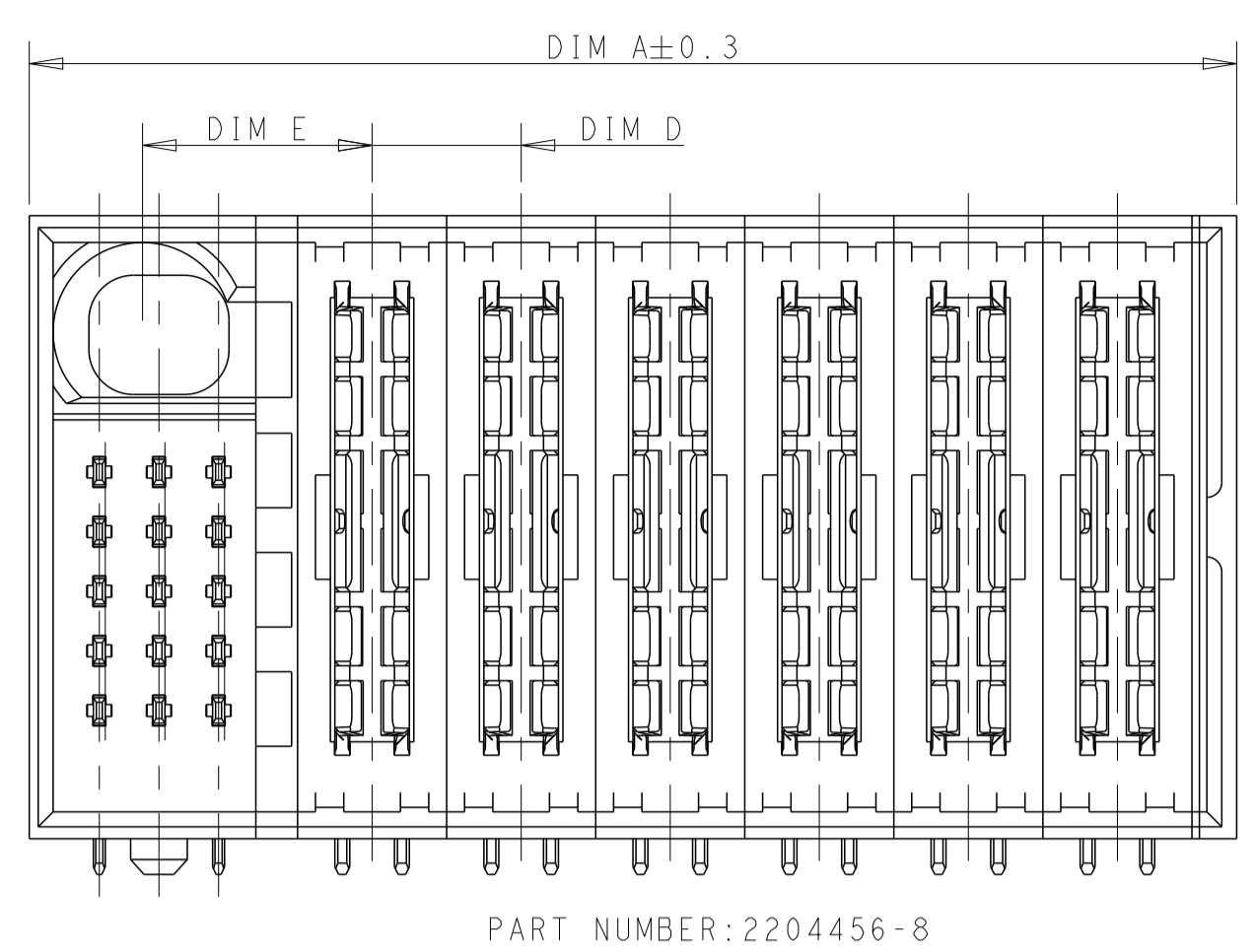
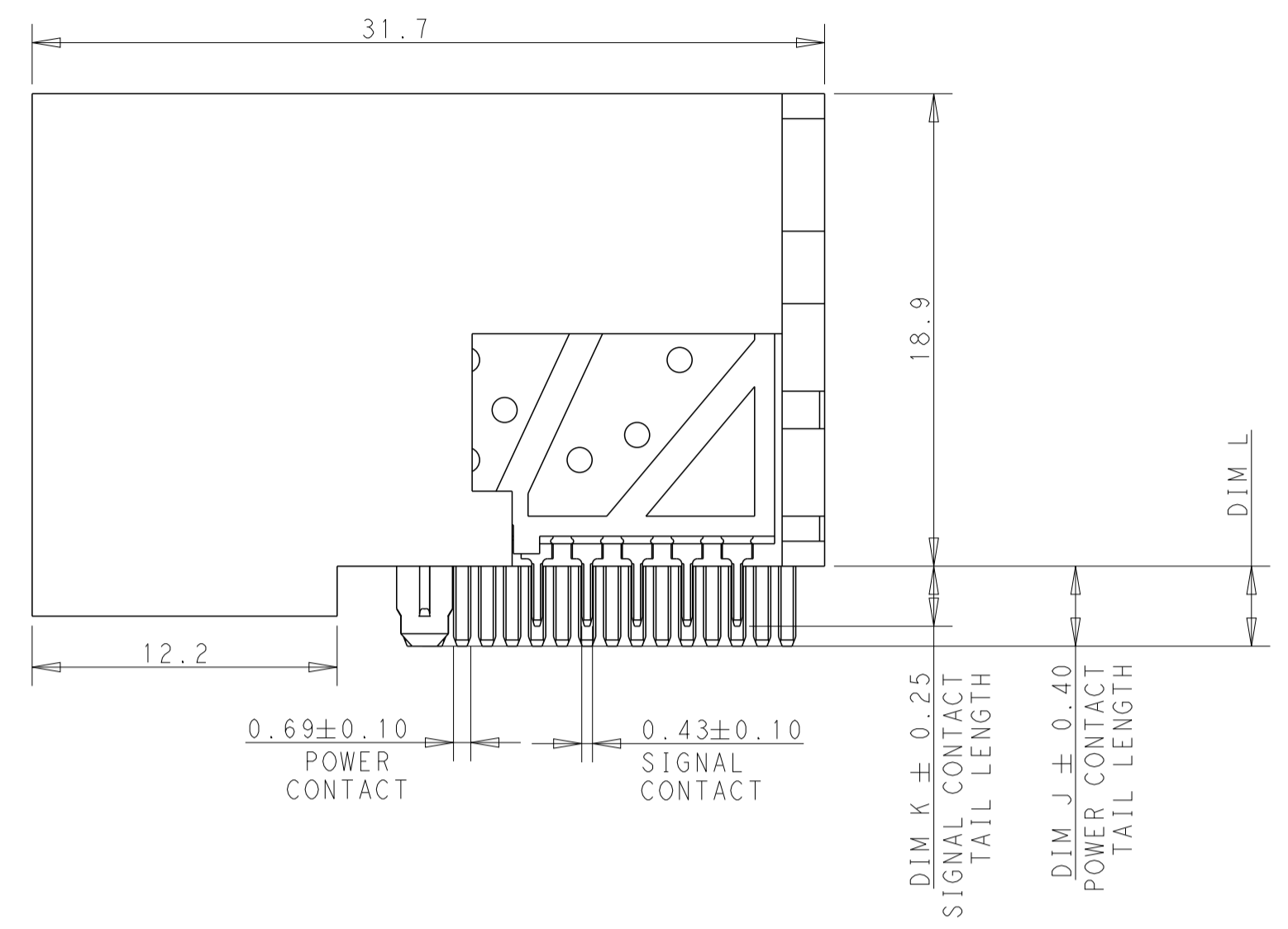
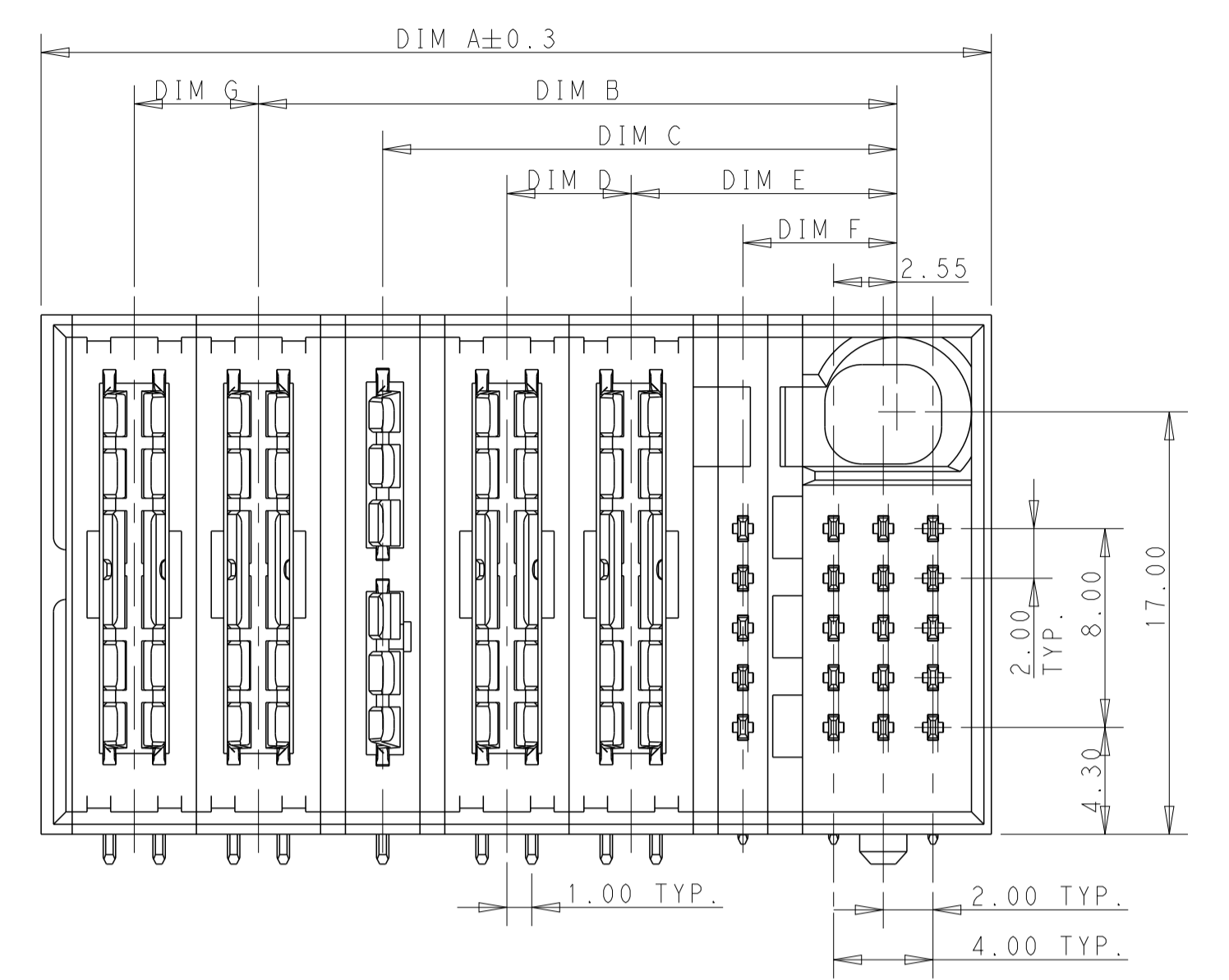
PCB LAYOUT PART NUMBER: 2204456-3/6/10



LEFT MIDDLE POWER CONTACT SOLDER TYPE	MK1
RIGHT MIDDLE POWER CONTACT SOLDER TYPE	MK2
POWER CONTACT SOLDER TYPE	PK
TOP LOW POWER CONTACT	LK1
BOTTOM LOW POWER CONTACT	LK2
1/M SIGNAL CONTACT STANDARD SOLDER EXTEND UM-MATING	VY1
1/M SIGNAL CONTACT MLBF SOLDER EXTEND UM-MATING	VY2
1/M SIGNAL CONTACT STANDARD SOLDER TAIL LENGTH 2.4MM	VJ1
1/M SIGNAL CONTACT MLBF SOLDER TAIL LENGTH 2.4MM	VJ2
1/M SIGNAL CONTACT STANDARD SOLDER TAIL LENGTH 3.2MM	VK1
1/M SIGNAL CONTACT MLBF SOLDER TAIL LENGTH 3.2MM	VK2
HP/SIGNAL WITH SINGAL GUIDE	HOUSING
DESCRIPTION	CODE

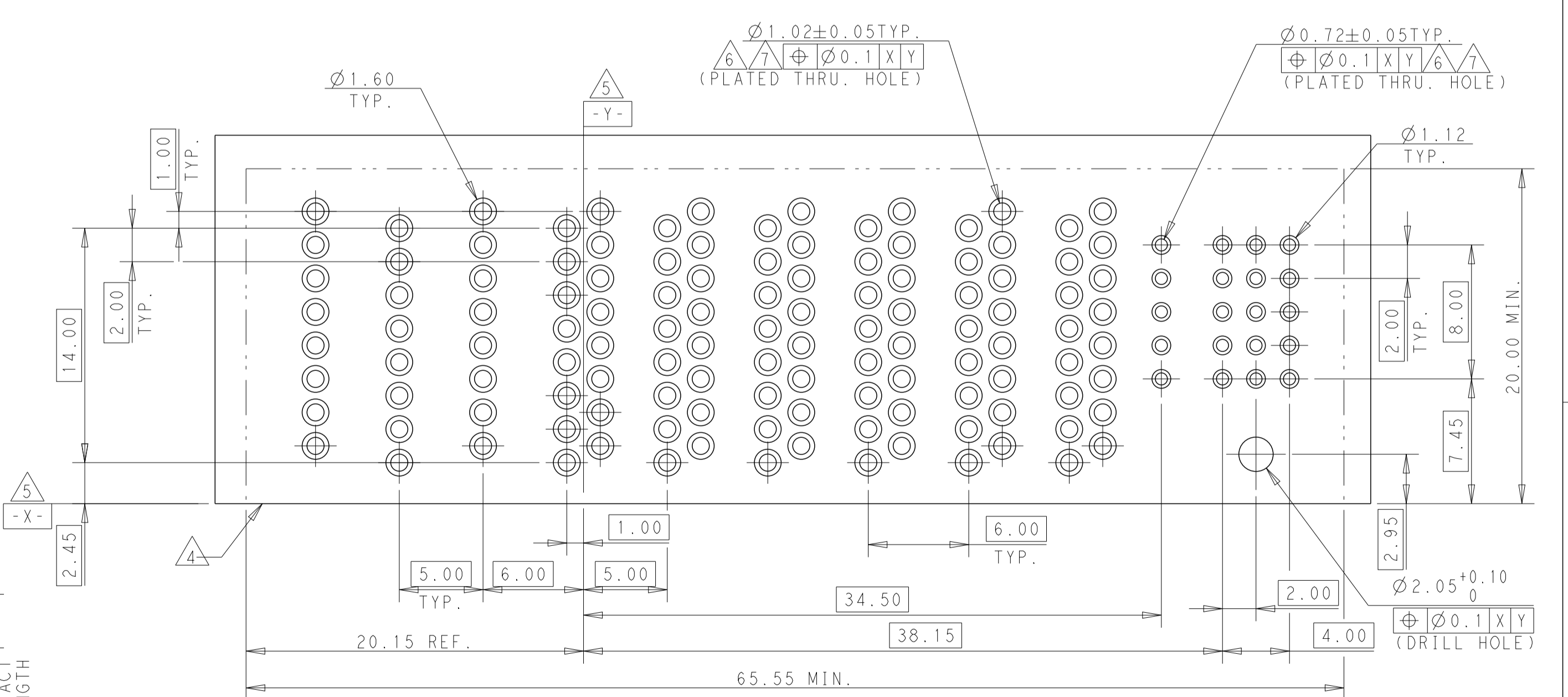
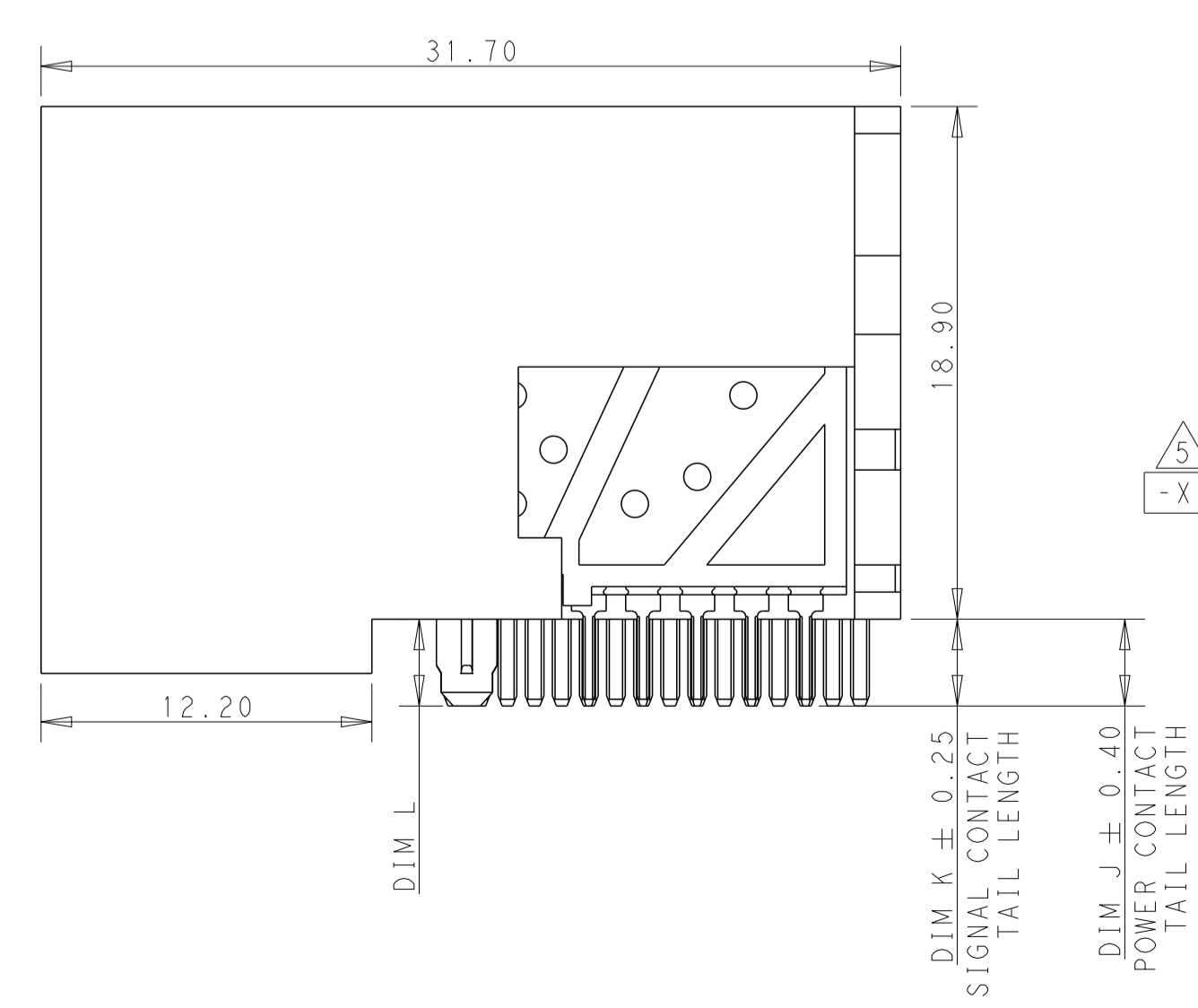
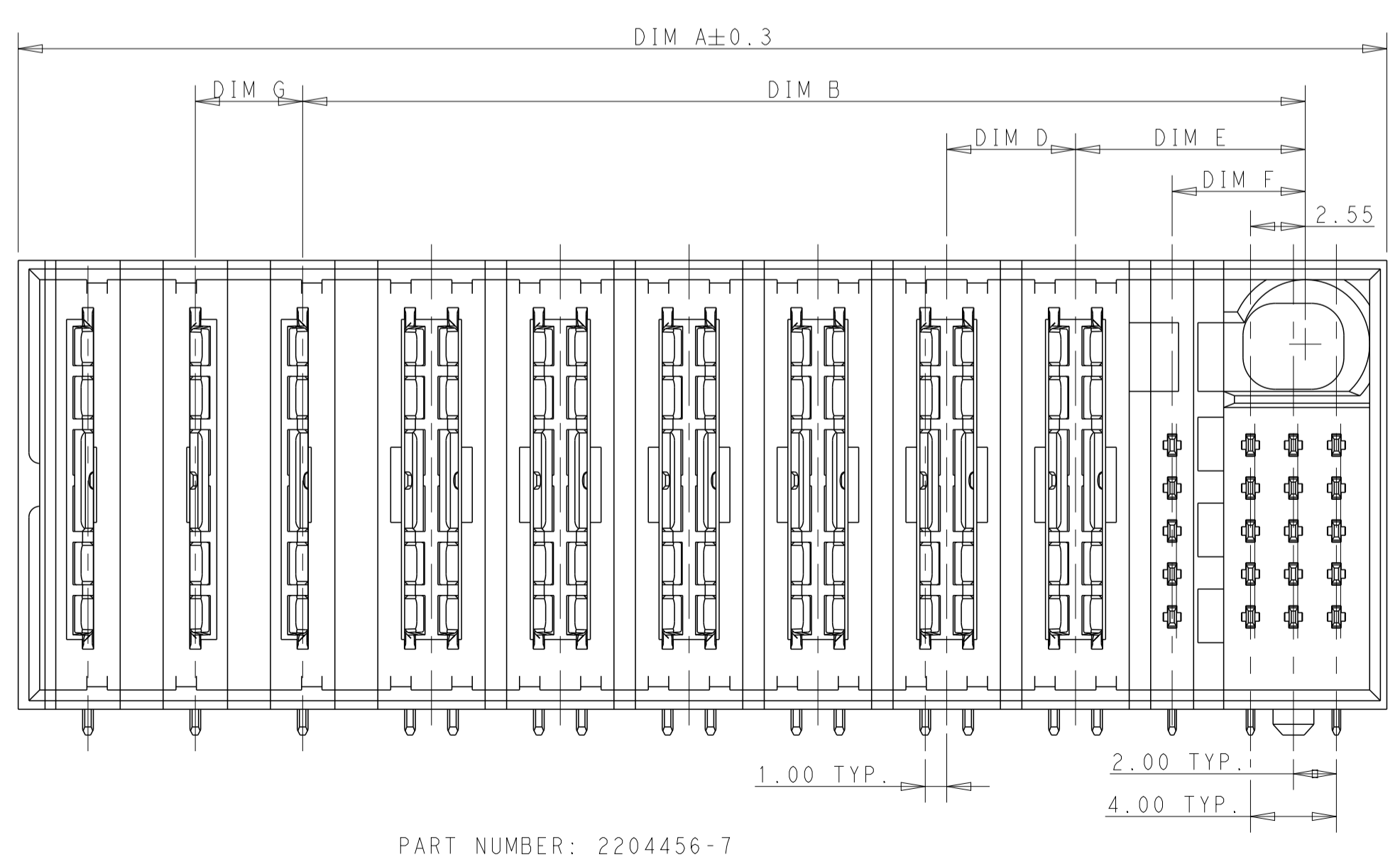
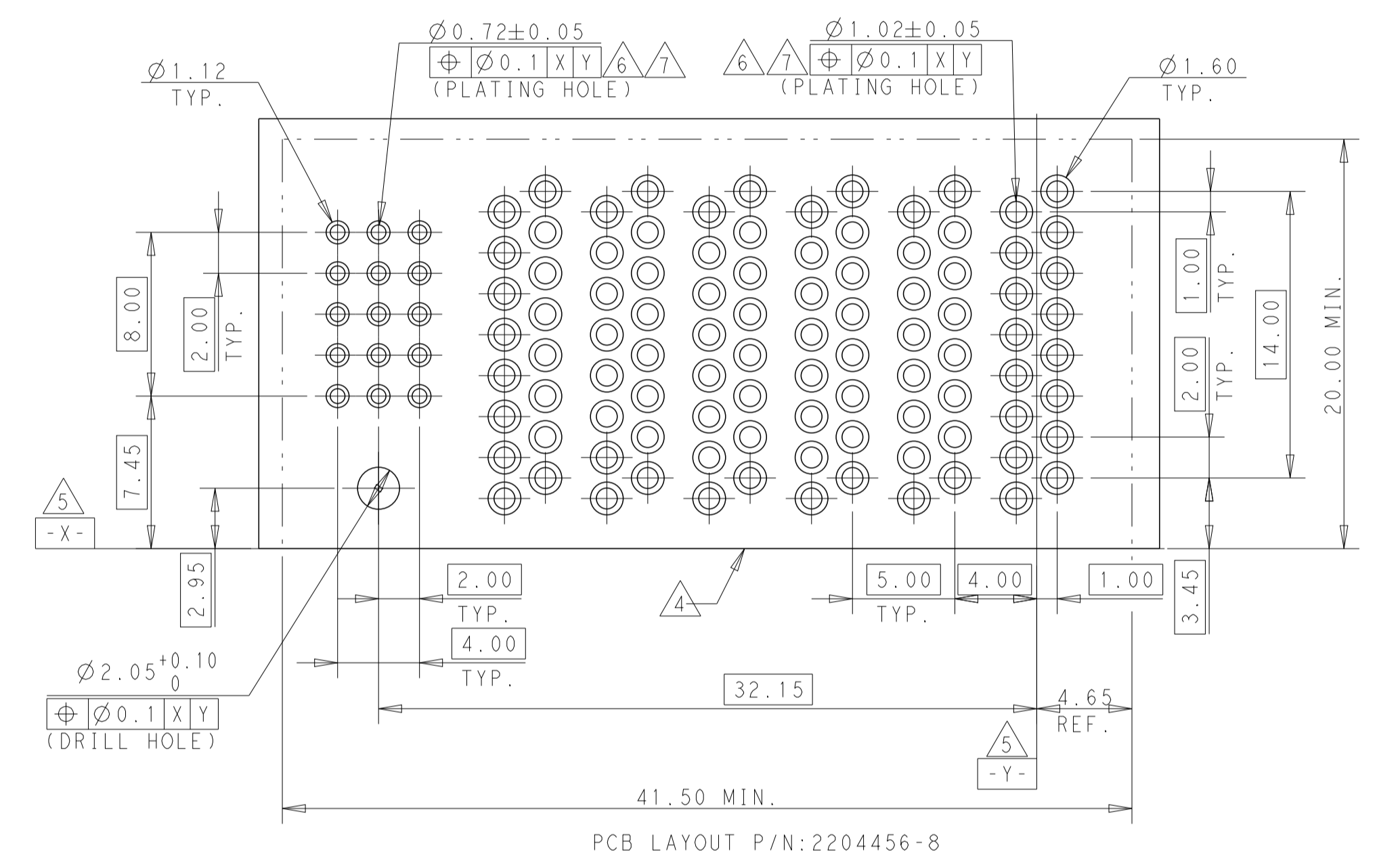
THIS DRAWING IS A CONTROLLED DOCUMENT.		DWN THOMAS ZHAO 27JULY2016 CHK SUNY ZHAO 27JULY2016 APVD SUNY ZHAO 27JULY2016	TE Connectivity
DIMENSIONS:	TOLERANCES UNLESS OTHERWISE SPECIFIED:	NAME	
mm	0 PLC ±0.4 2 PLC ±0.25 3 PLC ±0.15 4 PLC ±0.001 ANGLES ±0.001	CUSTOMER DRAWING	
MATERIAL	FINISH	SIZE	RESTRICTED TO
-	-	A1	-
CUSTOMER DRAWING		SCALE	SHEET
		5:1	2 OF 5
		DWG NO	REV
		C=2204456	A11

REVISIONS				
P	LTN	DESCRIPTION	DATE	APPV
-	-	SEE SHEET 1	-	-



PART NUMBER	ROWS	SIGNAL			POWER					
		1	2	3	P1	P2	P3	P4	P5	P6
2204456-8	E	VK	VK	VK	PK	PK	PK	PK	PK	PK
	D	VK	VK	VK						
	C	VK	VK	VK						
	B	VK	VK	VK						
	A	VK	VK	VK						

15S+6P



THIS DRAWING IS A CONTROLLED DOCUMENT. DWN THOMAS ZHAO 27JULY2016  
 CHK SUNY ZHAO 27JULY2016  
 NAME SUNY ZHAO  
 PRODUCT SPEC  
 APPLICATION SPEC  
 WEIGHT  
 MATERIAL  
 FINISH

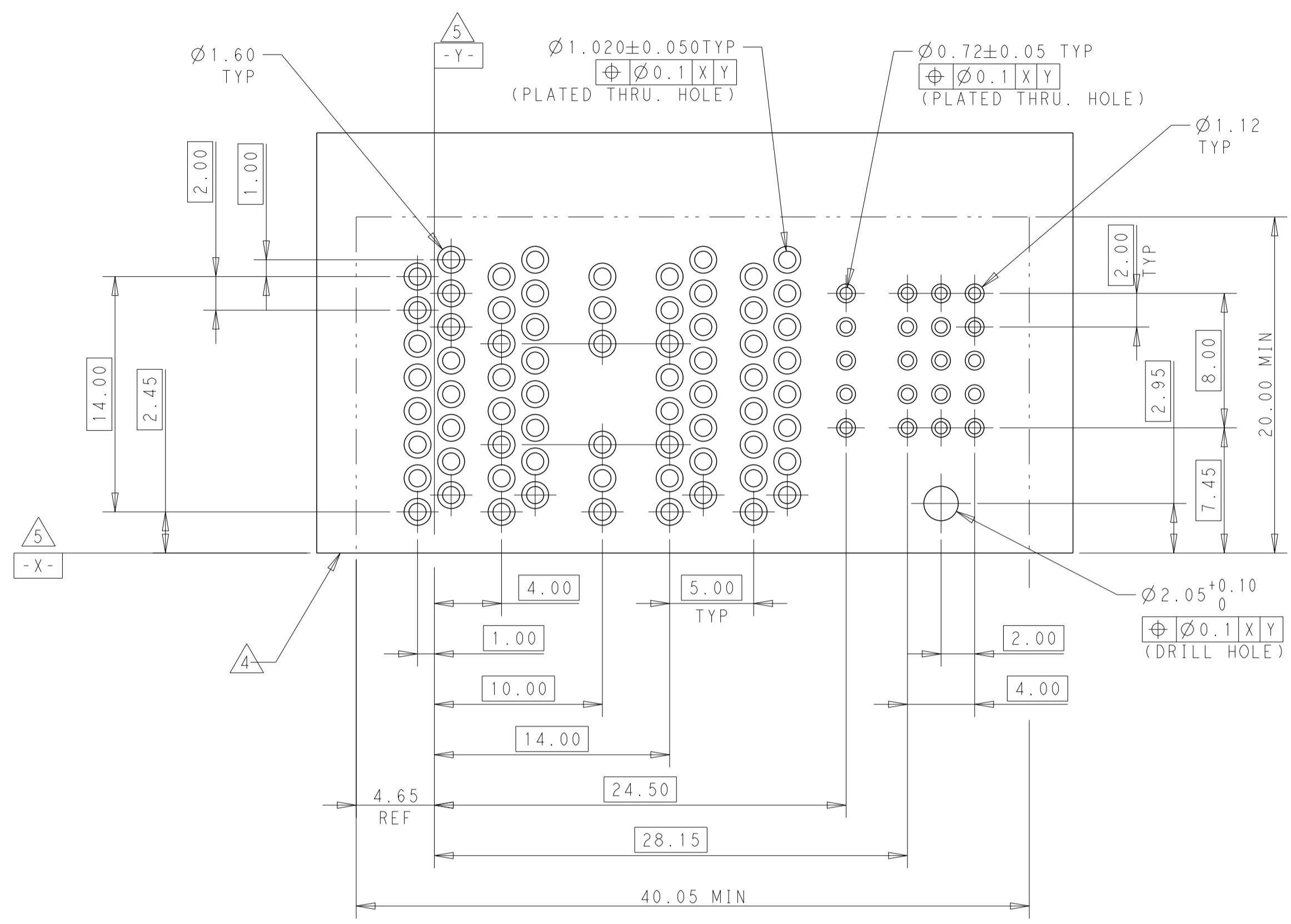
TOLERANCES UNLESS OTHERWISE SPECIFIED:  
 0 PLC ±0.4  
 1 PLC ±0.4  
 2 PLC ±0.25  
 3 PLC ±0.15  
 4 PLC ±0.0001  
 ANGLES ±0.0001

SCALE 5:1 SHEET 3 OF 5 REV A11

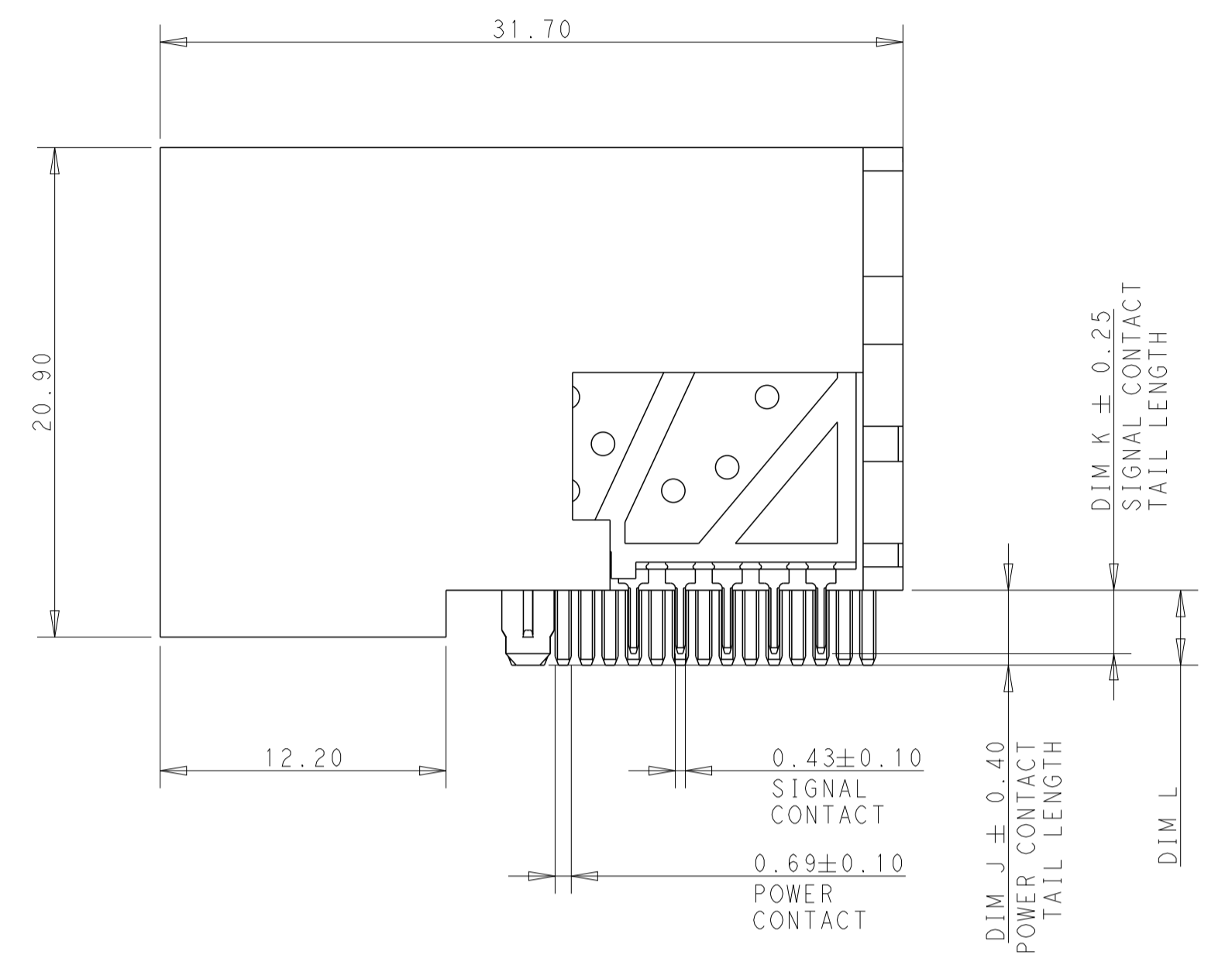
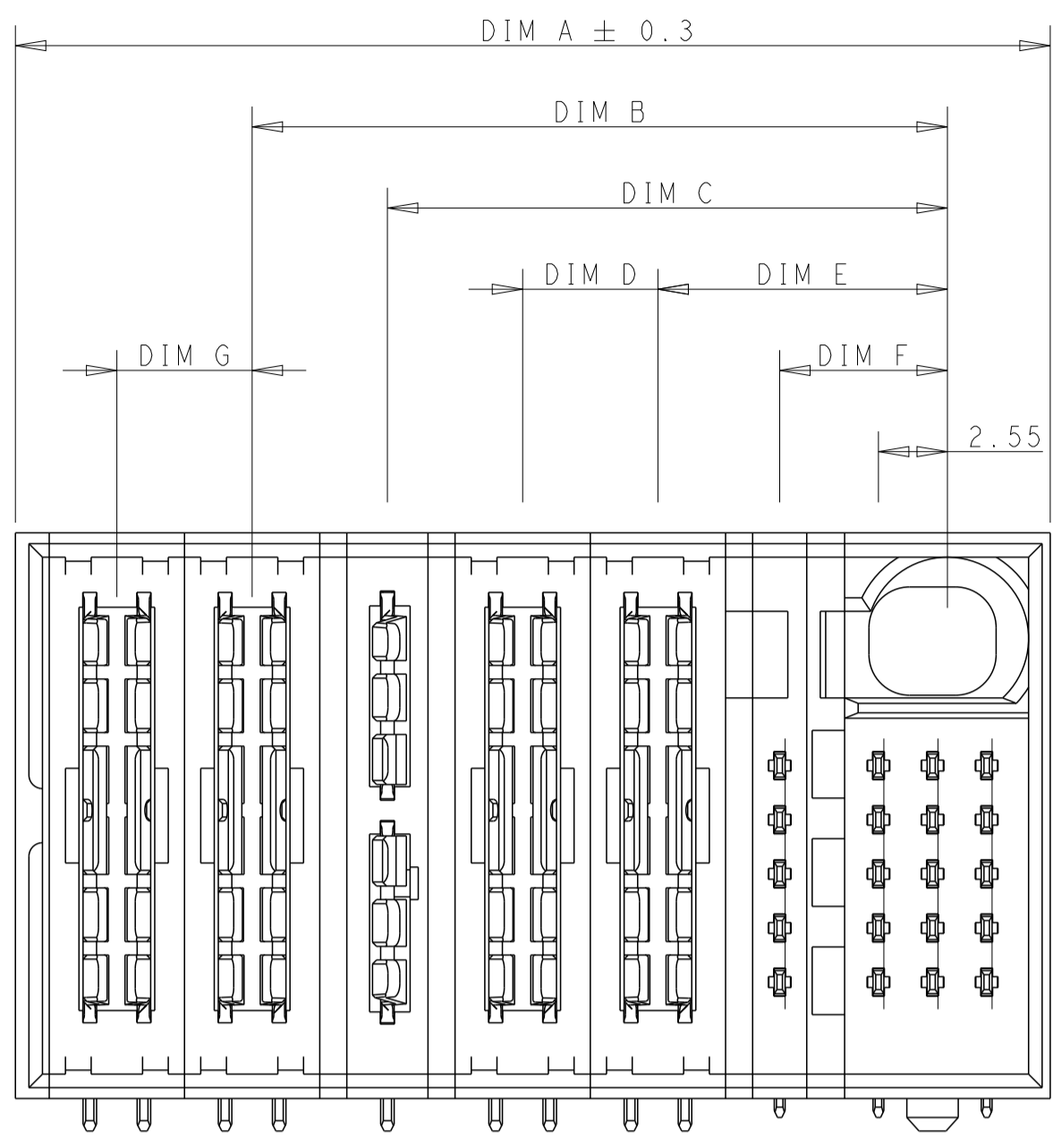
CUSTOMER DRAWING R/A PLUG WITH SINGAL GUIDE MULTI-BEAM HD SOLDER TYPE  
 CUSTOMER DRAWING



REVISIONS				
P	LTM	DESCRIPTION	DATE	APVD
-	-	SEE SHEET 1	-	-



PCB LAYOUT PART NUMBER: 1-2204456-5



PART NUMBER	POWER				SIGNAL				ROWS	
	P1	P2	LP	P3	P4	1	2	3		4
1-2204456-5	PK	PK	L K I L K 2	PK	PK	VK	VK	VK	VK	E D C B A
2P+2LP+2P+20S										

THIS DRAWING IS A CONTROLLED DOCUMENT. DWN THOMAS\_ZHAO 27JULY2016  
 CHK SUNY\_ZHAO 27JULY2016  
 APVD SUNY\_ZHAO 27JULY2016

**STE** TE Connectivity

NAME CUSTOMER DRAWING  
 R/A PLUG WITH SINGAL GUIDE  
 MULTI-BEAM HD SOLDER TYPE

PRODUCT SPEC  
 APPLICATION SPEC

SIZE A1 CAGE CODE DRAWING NO C=2204456 RESTRICTED TO

MATERIAL - FINISH - WEIGHT -

CUSTOMER DRAWING SCALE 5:1 SHEET 5 OF 5 REV A11