

THIS DRAWING IS UNPUBLISHED

RELEASED FOR PUBLICATION

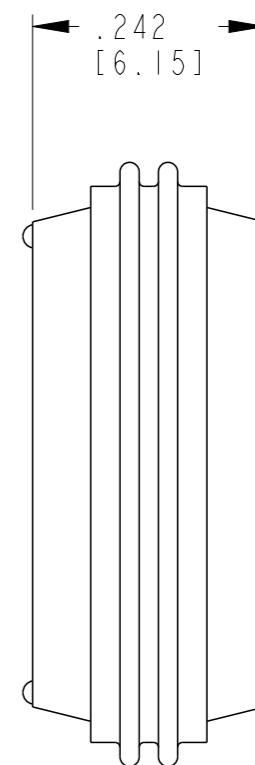
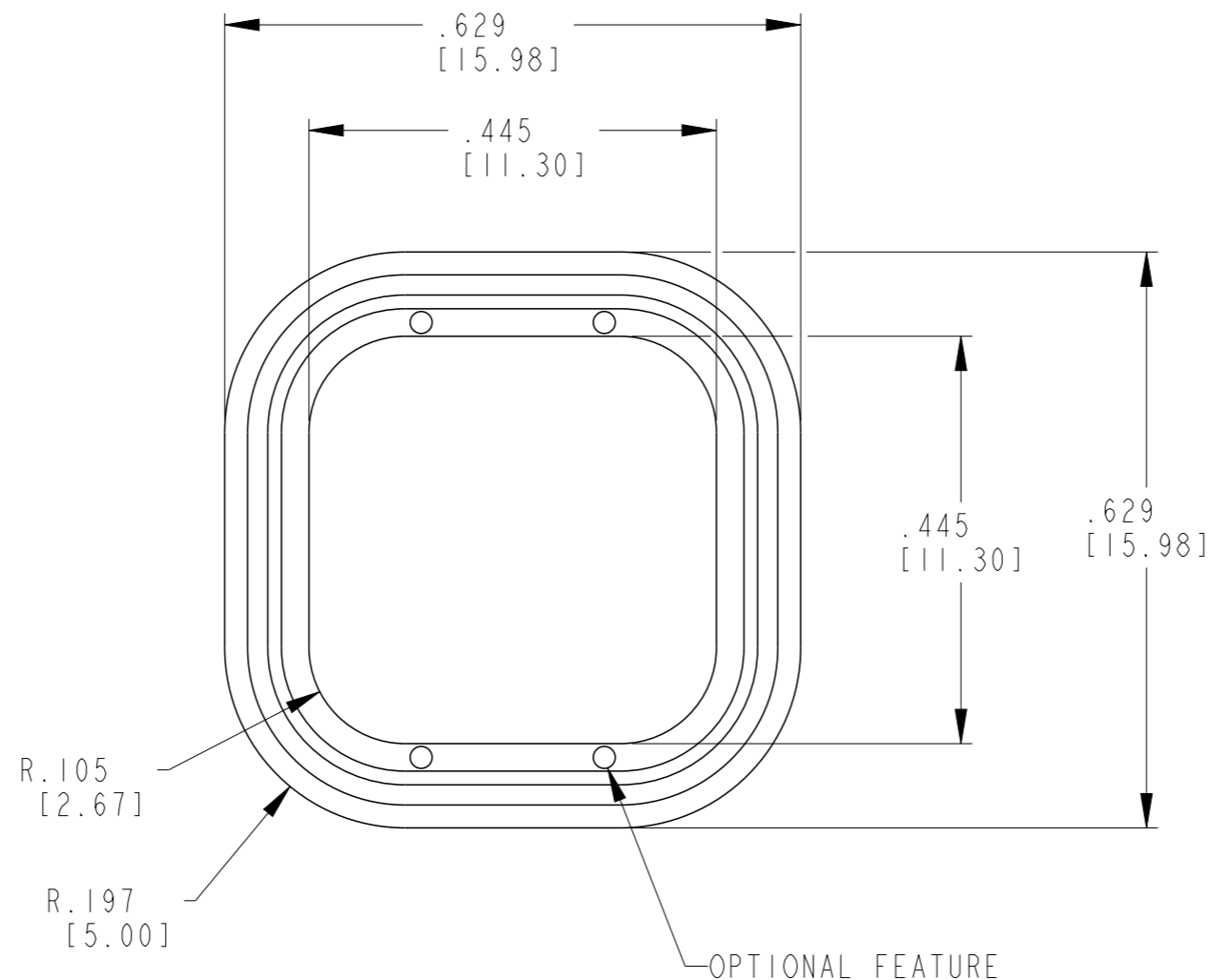
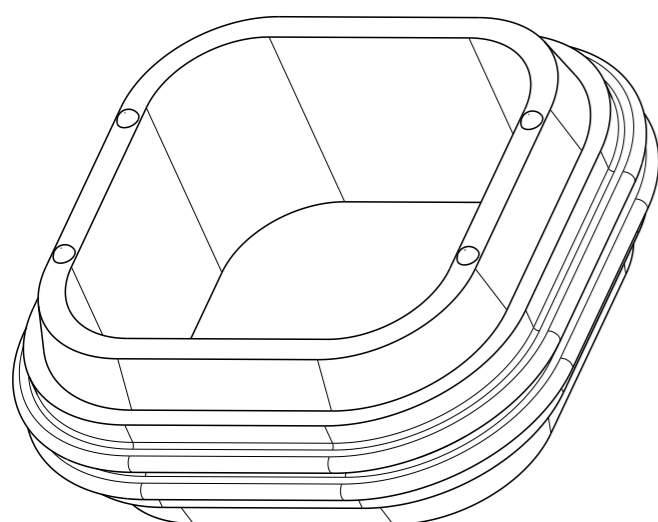
20

© COPYRIGHT 2016 BY - TE CONNECTIVITY

ALL RIGHTS RESERVED.

REVISIONS

P	LTR	DESCRIPTION	DATE	DWN	APVD
	B	REVISED PER ECO-16-015336	21MAR2016	MGM	DM



TE INTERNAL PN	DEUTSCH PN
1010-070-0606	1010-070-0606

THIS DRAWING IS A CONTROLLED DOCUMENT.		DWN D. SPENCER 23MARI999	TE Connectivity													
DIMENSIONS: INCHES [mm]		CHK S. BEARD 26MARI999														
TOLERANCES UNLESS OTHERWISE SPECIFIED:		APVD R. REED 26MARI999	NAME SEAL, FRONT, RETENTION TYPE 6 CONTACT PLUG DT SERIES													
<table border="0"> <tr> <td>0 PLC</td> <td>±</td> </tr> <tr> <td>1 PLC</td> <td>±</td> </tr> <tr> <td>2 PLC</td> <td>±</td> </tr> <tr> <td>3 PLC</td> <td>±.025 [0.64]</td> </tr> <tr> <td>4 PLC</td> <td>±</td> </tr> <tr> <td>ANGLES</td> <td>±0° 30' 0"</td> </tr> </table>		0 PLC	±	1 PLC	±	2 PLC	±	3 PLC	±.025 [0.64]	4 PLC	±	ANGLES	±0° 30' 0"	PRODUCT SPEC N/A	SIZE A3	
0 PLC	±															
1 PLC	±															
2 PLC	±															
3 PLC	±.025 [0.64]															
4 PLC	±															
ANGLES	±0° 30' 0"															
MATERIAL		APPLICATION SPEC N/A	CAGE CODE 4AFU8	DRAWING NO 1010-070-0606												
FINISH -		WEIGHT 0.62 g	RESTRICTED TO -													
		CUSTOMER DRAWING	SCALE 5:1	SHEET 1 OF 1												
			REV B													

⚠ MATERIAL: SILICONE (RED-ORANGE)

NOTES.