

FORCE GUIDED RELAY SRS2

GENERAL PURPOSE RELAYS

INTRODUCTION

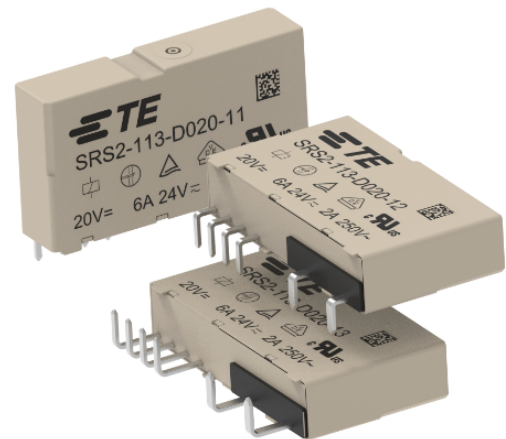
TE Connectivity (TE)'s SRS2 is a force guided relay (IEC/EN61810-3 type A) for safety applications with limited space. The just 210 mW coil power consumption helps allow a dense arrangement in hot environments. The NO contact can switch 2 A/ 250 VAC or 6 A/ 24 VAC/DC and is linked to a monitoring NC contact with a diagnostic coverage of 99% (IEC 61508-2). The relay can be mounted upright or horizontal.

FEATURES

- Slim 2 pole relay with force guided relay according to type A of IEC/EN 61810-3 (EN50205)
- 1 form A (NO) + 1 form B (NC) contacts
- Small size (28 x 6 x 15.5) mm
- Polarized magnet system with small coil power consumption (210 mW)
- Reinforced insulation between NO and NC-circuit and between NO and relay coil

APPLICATIONS

- Safety relay modules
- Safety controllers
- Programmable logic controllers (PLC's)
- Machines
- Presses
- Robots
- Emergency shut-off
- Light barriers
- Elevator and escalator safety control
- Railway level crossings
- Signaling



APPROVALS

- VDE CERT. NO. 40040661
- TUV 968/FSP 2503.00/23
- UL E214025 Vol. 8 Sec. 5



Note: Technical data of approved types on request

FORCE GUIDED RELAY SRS2

GENERAL PURPOSE RELAYS

CONTACT DATA

	NO contact	NC contact
Contact material	AgSnO ₂	AgCuNi + Au
Rated voltage	250V AC 24 VAC/DC	24 VAC/DC
Rated current	2 A* 6 A	100 mA
Minimum switching power	60 mW	3.3 mW
Minimum switching voltage	12 V	3.3 V
Minimum switching current	3 mA	1 mA
Maximum contact voltage drop	200 mV	200 mV
Short circuit protection acc. to EN 60947-5-1 1000A SCPD	6 A gL/gG	
Contact configuration	1 form A (NO) + 1 form B (NC) contacts	

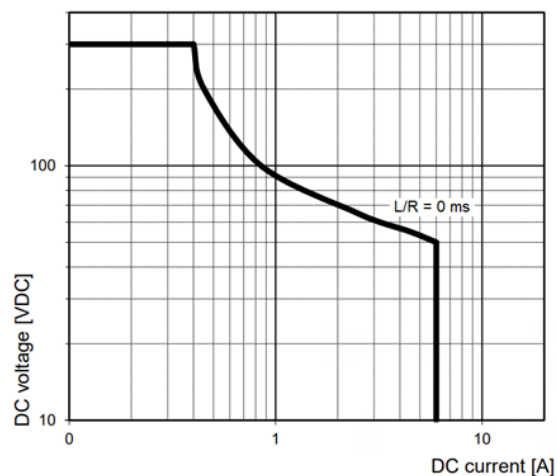
* Version for 6A/250VAC is under development.

CONTACT RATINGS (NORMALLY OPEN, RTIII)

UL Approval acc. to UL 61810-1 (former UL 508)	
B300	6,000 Cycles
R300	6,000 Cycles
TUV & VDE Approval acc. to IEC 61810-1	
AC 250 V, 6 A *) , resistive, NO contact	5,000 cycles
Mechanical endurance	10,000,000 cycles
Electrical lifetime acc. to IEC 60947-4-1	
AC 250V, 2A @ 80°C, resistive	350,000 cycles
DC 24V, 6A @ 80°C, resistive	1,000,000 cycles

*) consider limitation to AC 250V, 2A

MAX. DC LOAD BREAKING CAPACITY (for resistive load)



COIL DATA

Nominal coil voltage	3.3 VDC - 24 VDC
Operating range acc. EN 61810-1	2

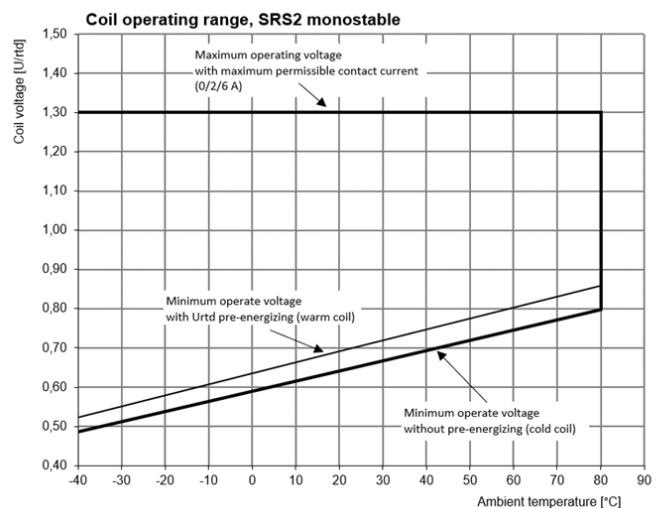
Coil code	Rated voltage VDC	Maximum Voltage** VDC	Operate Voltage* VDC	Release Voltage* VDC	Coil resistance* Ω±10%	Rated coil power* mW
024	24	31.2	15.6	3	2800	206
020	20	26	13	2.5	1929	207
018	18	23.4	11.7	2.3	1540	210
012	12	15.6	7.8	1.5	685	210
011	11	14.3	7.2	1.4	585	207
009	9	11.7	5.9	1.1	410	198
005	5	6.5	3.25	0.63	125	200
004	4.5	5.9	2.93	0.56	97	209
003	3.3	4.3	2.15	0.41	50	218

* at 23 °C,
** at 80 °C

All figures are given for coil without pre-energization, at ambient temperature +23 °C.

OPERATING VOLTAGE RANGE

(E = Pre-Energization of relay coil, I = continuous current on NO-contact)



FORCE GUIDED RELAY SRS2

GENERAL PURPOSE RELAYS

INSULATION

According to DIN EN 61810-1 / DIN EN 61010-1 / IEC EN 62477 (former EN 50178)

Pollution degree	2
Overvoltage category	III

Initial dielectric strength

Between NO contact and NC contact	3000 Vrms
Between NO contact and coil	3000 Vrms
Between NC contact and coil	800 Vrms
Between open contacts	500 Vrms

Type of insulation / rated insulation voltage acc. to DIN EN 61010-1 / IEC EN 62477 (former EN 50178)

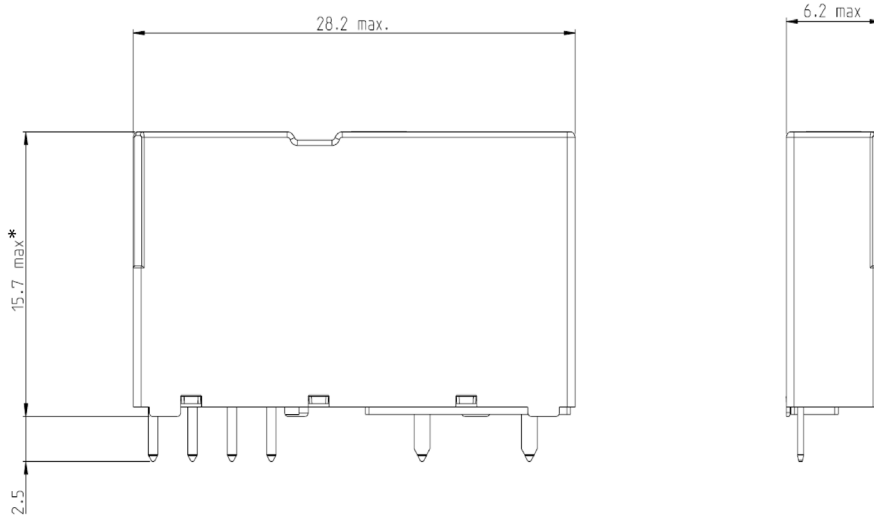
Between NO contact and NC contact	Reinforced	250 V
Between NO contact and coil	Reinforced	250 V
Between NC contact and coil	Basic	32 V

OTHER DATA

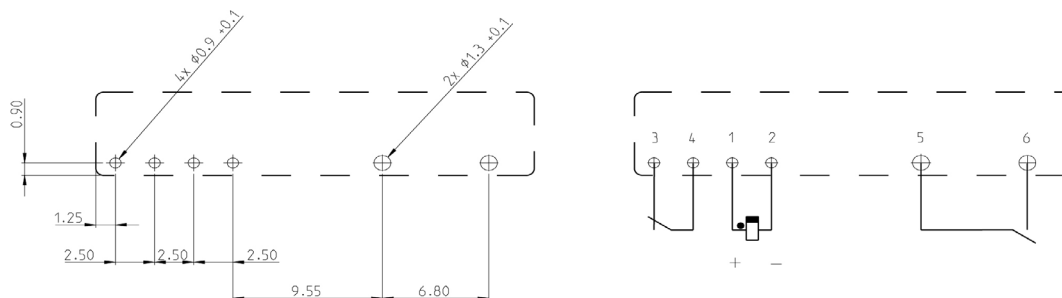
Material compliance	ROHS conform
Ambient temperature	-40 °C to +80 °C
Vibration resistance (10-200Hz) NO/NC Contact interruption < 10µs	10 g / 5 g
Shock resistance (11ms half sine) NO/NC Contact interruption < 10µs	15 g / 10 g
Resistance to soldering heat	260 °C/ 5 s
Leadfree soldering condition	Wave soldering
Unit weight	8 g

DIMENSIONS (Unit: mm)

SRS2-113-Dxxx-y1



Bottom view on solder pins

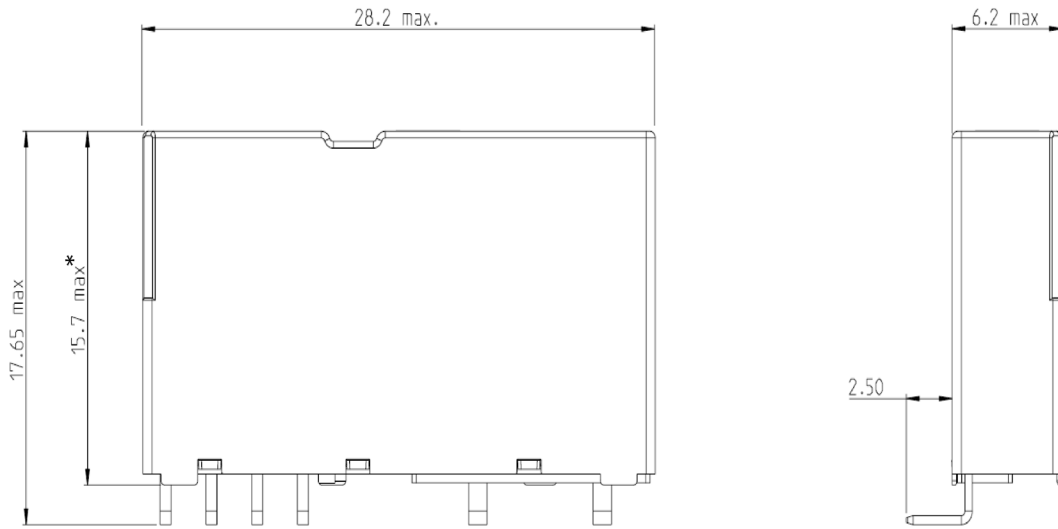


* Version for 6 A/250 VAC is under development. Height of 15.7 mm will be increased for the 6 A version.

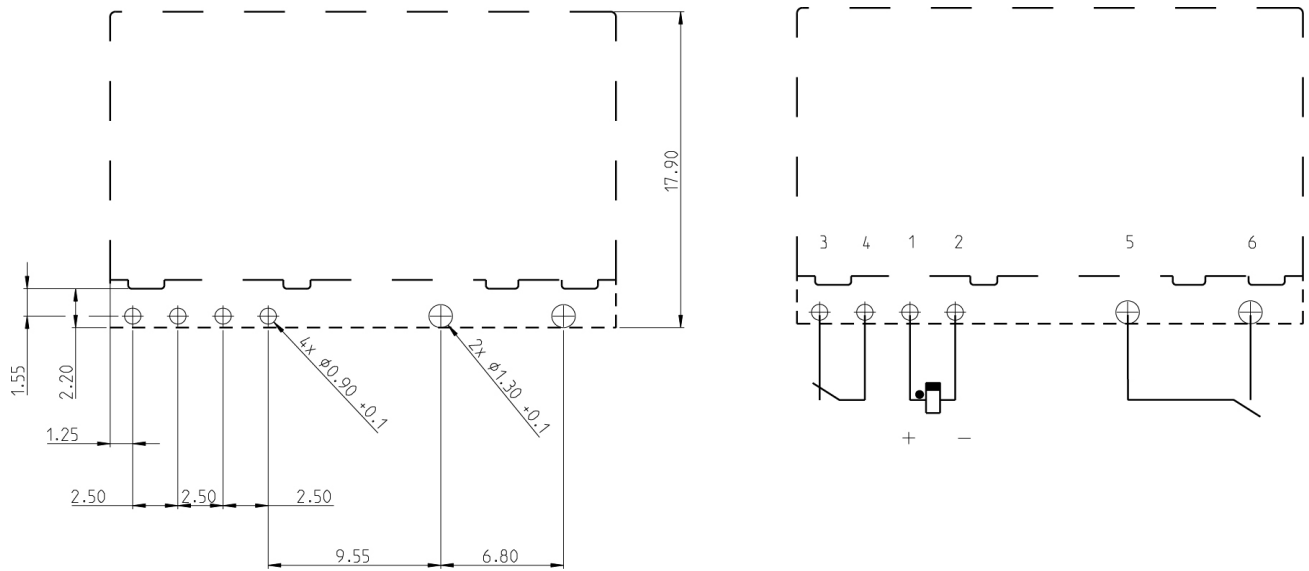
FORCE GUIDED RELAY SRS2

GENERAL PURPOSE RELAYS

SRS2-113-Dxxx-y2



Bottom view on solder pins

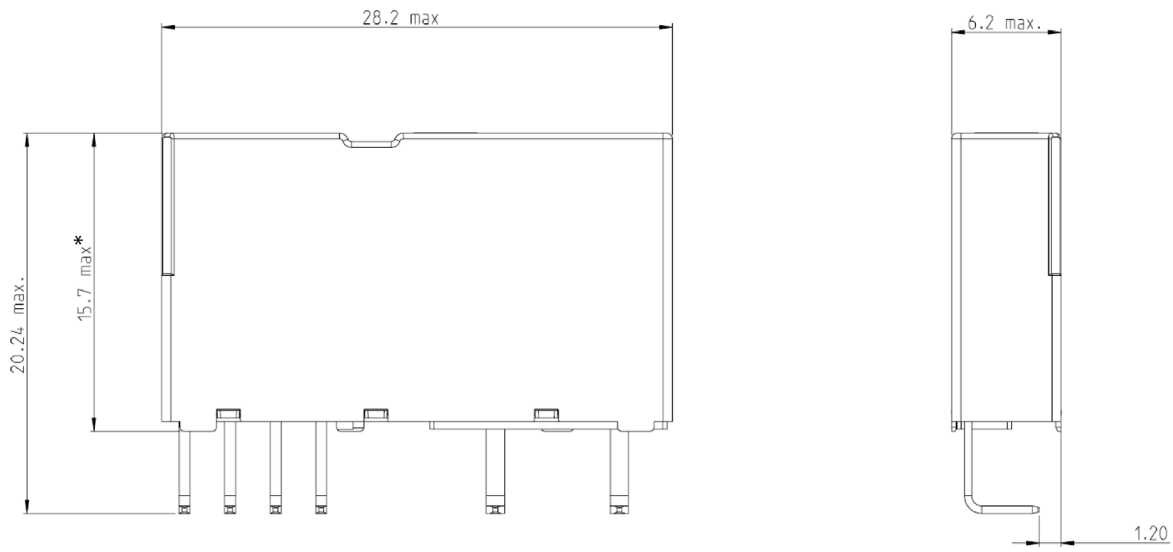


* Version for 6 A/250 VAC is under development. Height of 15.7 mm will be increased for the 6 A version.

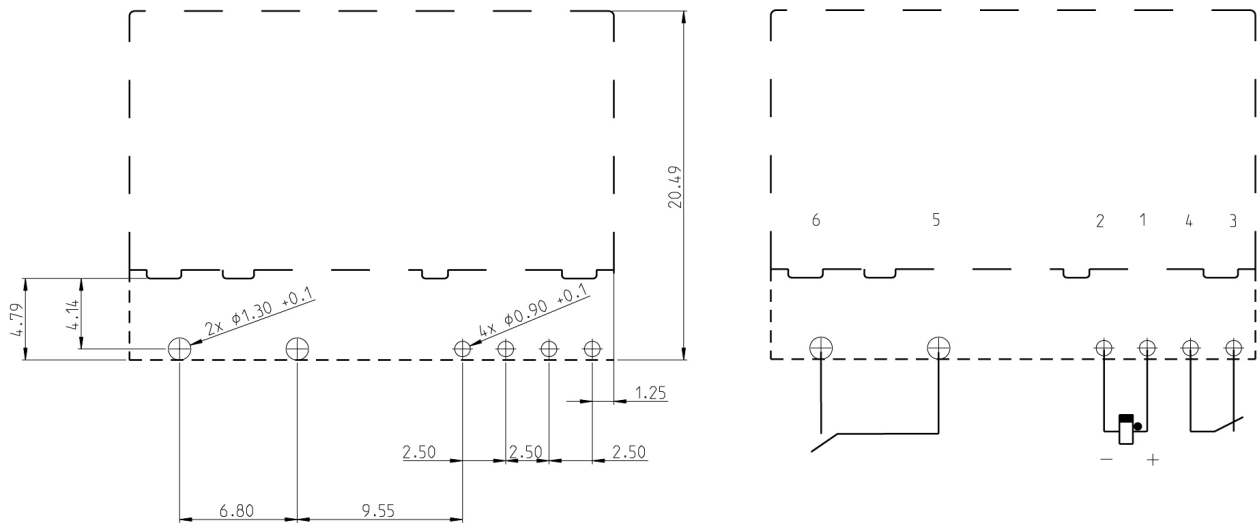
FORCE GUIDED RELAY SRS2

GENERAL PURPOSE RELAYS

SRS2-113-Dxxx-y3



Bottom view on solder pins

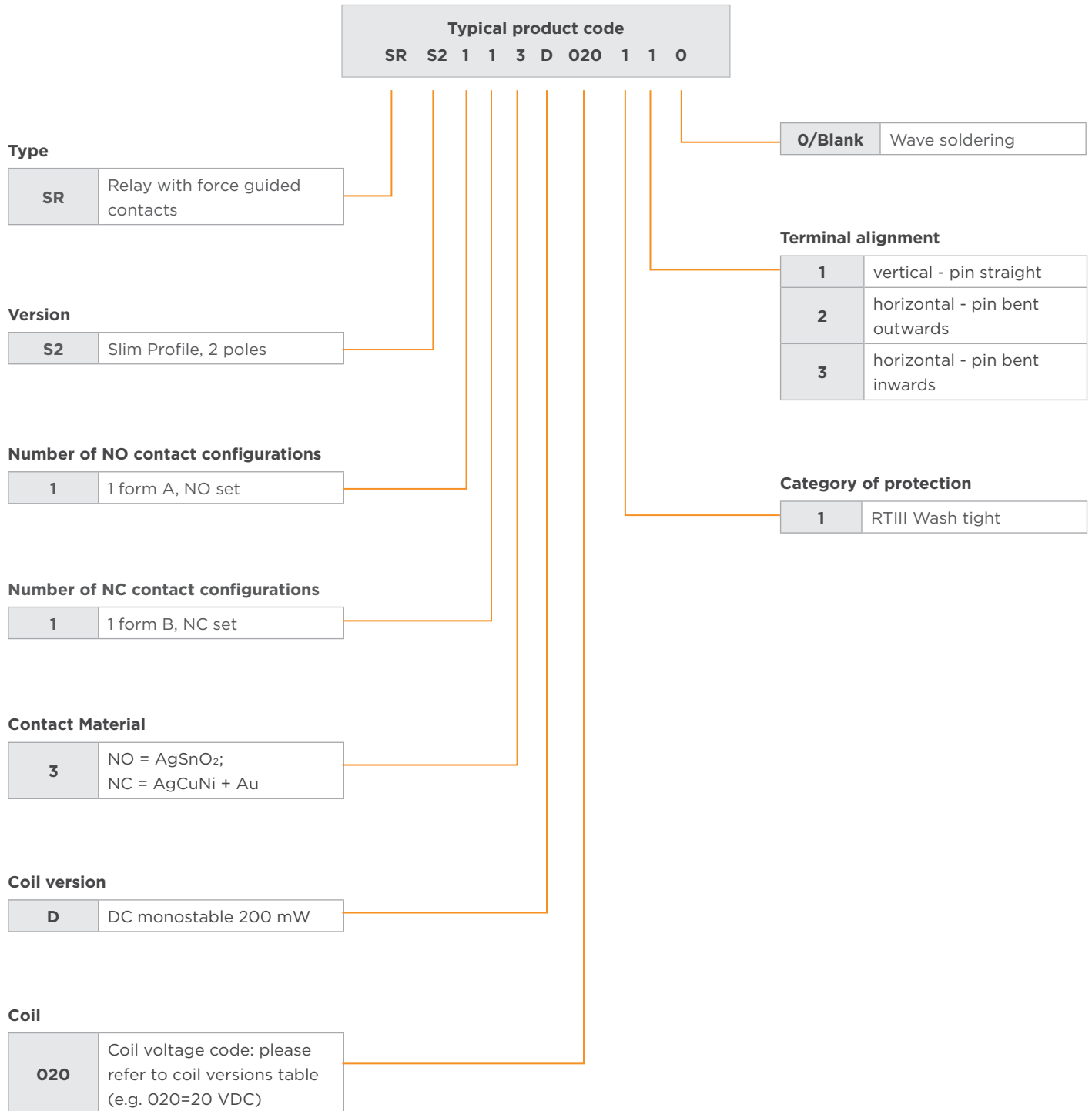


* Version for 6 A/250 VAC is under development. Height of 15.7 mm will be increased for the 6 A version.

FORCE GUIDED RELAY SRS2

GENERAL PURPOSE RELAYS

PRODUCT CODE STRUCTURE



PRODUCT INFORMATION

Product code	Contact Material	Coil	Available approvals			Terminal alignment	Part Number
			UL	TUV	VDE		
SRS2-113-D003-11	NO = AgSnO ₂ ; NC = AgCuNi+Au	3.3	X	X		Vertical - straight pins	1-8588003-1
SRS2-113-D004-11		4.5	X	X			1-8588004-1
SRS2-113-D011-11		11	X	X			1-8588011-1
SRS2-113-D018-11		18	X	X			1-8588018-1
SRS2-113-D020-11		20	X	X	X		1-8588020-1
SRS2-113-D024-11		24	X	X			1-8588024-1
SRS2-113-D003-12		3.3	X	X		Horizontal - pins bent outwards	1-8588003-2
SRS2-113-D004-12		4.5	X	X			1-8588004-2
SRS2-113-D011-12		11	X	X			1-8588011-2
SRS2-113-D018-12		18	X	X			1-8588018-2
SRS2-113-D020-12		20	X	X	X		1-8588020-2
SRS2-113-D024-12		24	X	X			1-8588024-2
SRS2-113-D003-13		3.3	X	X		Horizontal - pins bent inwards	1-8588003-3
SRS2-113-D004-13		4.5	X	X			1-8588004-3
SRS2-113-D011-13		11	X	X			1-8588011-3
SRS2-113-D018-13		18	X	X			1-8588018-3
SRS2-113-D020-13		20	X	X	X		1-8588020-3
SRS2-113-D024-13		24	X	X			1-8588024-3

Notes:

- Datasheets and product specification according to IEC 61810-1 and to be used only together with the 'Definitions' section
- Datasheets and product data is subject to the terms of the disclaimer and all chapters of the 'Definitions' section, available at <http://relays.te.com/definitions>
- Datasheets, product data, 'Definitions' section, application notes and all specifications are subject to change
- For more detailed product-specific-information (such as product specifications, application notes) please contact our Product Information Center (<https://www.te.com/usa-en/customer-support/customer-service.html>)

te.com

©2026 TE Connectivity plc Family of Companies. All Rights Reserved.

TE Connectivity, TE connectivity (logo) and Every Connection Counts are trademarks owned or licensed by the TE Connectivity plc family of companies. All other logos, products and/or company names referred to herein might be trademarks of their respective owners.

While TE has made every reasonable effort to ensure the accuracy of the information in this document, TE does not guarantee that it is error-free, nor does TE make any other representation, warranty or guarantee that the information is accurate, correct, reliable or current. TE reserves the right to make any changes to the information contained herein without prior notice. TE Connectivity assumes only those obligations set forth in the terms and conditions for this product and shall in no event be liable for any incidental, indirect, or consequential damages arising out of the sale, resale, use, or misapplication of the product. TE expressly disclaims any implied warranties with respect to the information contained herein, including, but not limited to, implied warranties of merchantability or fitness for a particular purpose. Dimensions, specifications and/or information contained herein are for reference purposes only and are subject to change without notice. Consult TE for the latest dimensions, specifications and/or information. Users of TE Connectivity products must make their own assessment as to whether the respective product is suitable for the respective desired application.

04/26 ED