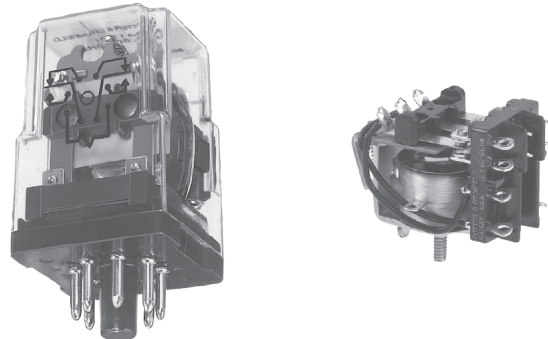


POTTER & BRUMFIELD KRPA SERIES PANEL PLUG-IN RELAY

PANEL/PLUG-IN RELAYS

FEATURES

- 5 to 10A current capability
- Contact arrangements of 1, 2 and 3 form C (CO)
- Octal type termination for quick installation
- Indicator lamp available on certain models



APPLICATIONS

- Baggage handling
- Lighting
- Inspection equipment
- Marine

APPROVALS

- UL E22575
- CSA LR15734



Technical data of approved types on request

KRPA SERIES PANEL PLUG-IN RELAY

POTTER & BRUMFIELD

CONTACT DATA

Contact arrangement	1 form C (CO) 2 form C (CO) 3 form C (CO)	
Rated voltage	240VAC	
Rated current	10A	
Contact material	Ag	AgCdO
Min recommended contact load	100mA, 12VDC	300mA, 12VDC
Frequency of operation	360 ops./hour	360 ops./hour

CONTACT RATINGS

Type	Load	Cycles
UL 508		
KRPA, Ag	5A, 120VAC 3A, 240VAC 1/10HP, 120VAC 1/6HP, 240VAC	100x10 ³ 100x10 ³ 1x10 ⁵ 1x10 ⁵
KRPA, AgCdO	10A, 240VAC 1/3HP, 120VAC 1/2HP, 240VAC	100x10 ³ 1x10 ⁵ 1x10 ⁵
KA, Ag	5A, 120VAC 3A, 240VAC 1/10HP, 120VAC 1/6HP, 240VAC	-
KA, AgCdO	10A, 120VAC 6A, 240VAC 1/6HP, 120VAC 1/3HP, 240VAC	-
Mechanical endurance	10x10 ⁶ ops.	

INSULATION DATA

Initial dielectric strength	
Between open contacts	1000 V _{rms}
Between contact and coil	1000 V _{rms}
Between adjacent contacts	1000 V _{rms}
Initial insulation resistance	
Between insulated elements	KRPA: 1000MΩ KA: 100MΩ

COIL DATA

Coil voltage range	6 to 220VDC, 6 to 240VAC
Coil insulation system according UL	Class B

COIL VERSIONS, DC COIL

Coil code	Rated voltage VDC	Operate voltage VDC	Coil resistance Ω±10%	Rated coil power W
6	6	4.5	32	1.15
12	12	9.0	120	1.2
24	24	18.0	472	1.25
48	48	36.0	1800	1.3
110	110	82.5	10000	1.2
-	220	Use 110V relay with 10KΩ, 5W resistor in series		

COIL VERSIONS, AC COIL

Coil code	Rated voltage VAC	Operate voltage VAC	Coil resistance Ω±15%	Rated coil power VA
6	6	5.1	6	2.01
12	12	10.2	24	2.02
24	24	20.4	85	2.02
120	120	102.0	2250	2.1
240	240	204.0	9110	2.1

All figures are given for coil without preenergization, at ambient temperature +23°C

OTHER DATA

Material compliance	EU RoHS/ELV, China RoHS, REACH, Halogen content refer to the Product Compliance Support Center at: Click here
Ambient temperature	
DC coil	KRPA: -45°C to 70°C KA: -45°C to 85°C
AC coil	KRPA: -45°C to 55°C KA: -45°C to 70°C
Category of environmental protection	
IEC 61810	RTI - dust protected KRPA and RTO - open style KA
Terminal type	KRPA: 8- or 11-pin octal-type plug KA: solder terminals
Weight	85g
Packaging/unit	tray/25 pcs., box/150pcs.

KRPA SERIES PANEL PLUG-IN RELAY

POTTER & BRUMFIELD

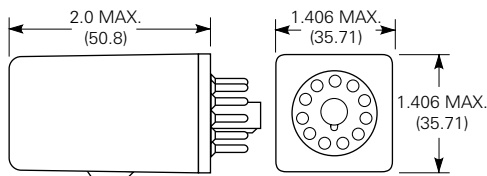
ACCESSORIES

For details see datasheet [Sockets and Accessories, KUP Relays](#)

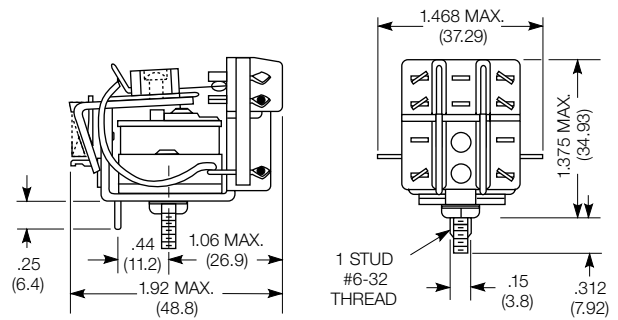
Product Code	Description
27E891	Two pole DIN socket (use 20C318 clip)
27E892	Three pole DIN socket (use 20C318 clip)
27E122	Two pole track mount socket (use 20C318 clip)
27E123	Three pole track mount socket (use 20C318 clip)

DIMENSIONS (Unit mm)

KRPA



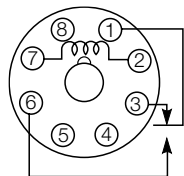
KA



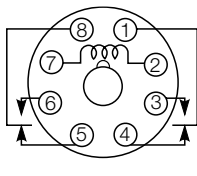
TERMINAL ASSIGNMENT

KRPA

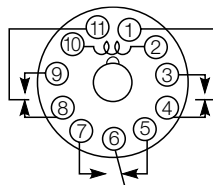
1 form C



2 form C

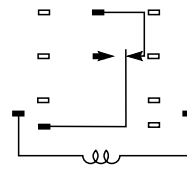


3 form C

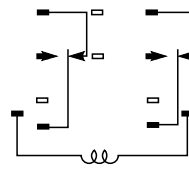


KA

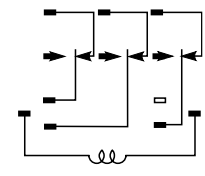
1 form C



2 form C



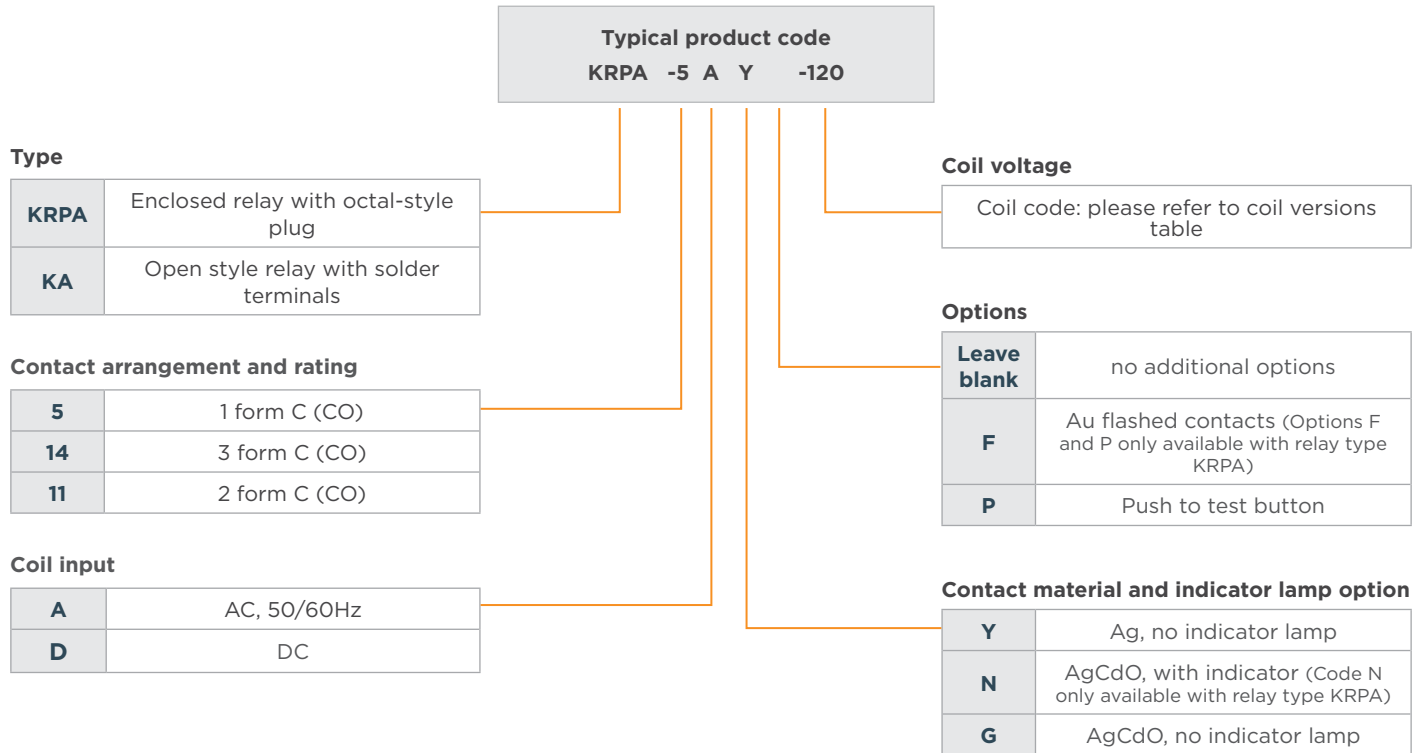
3 form C



KRPA SERIES PANEL PLUG-IN RELAY

POTTER & BRUMFIELD

PRODUCT CODE STRUCTURE



PRODUCT INFORMATION

Product Code	Arrangement	Contact Material	Coil	Option	Part Number	
KRPA-5AG-24	1 form C, 1 CO	AgCdO	24VAC	None	9-1393104-9	
KRPA-5AG-120			120VAC		9-1393104-8	
KRPA-5DG-12			12VDC		1393105-3	
KRPA-5DY-24		Ag	24VDC		1393105-7	
KRPA-11AG-24	2 form C, 2 CO	AgCdO	24VAC		Indicator	1-1393105-2
KRPA-11AG-120			120VAC			2-1393104-5
KRPA-11AG-240			240VAC			2-1393104-7
KRPA-11AN-24			24VAC	3-1393104-3		
KRPA-11AN-120			120VAC	3-1393104-2		
KRPA-11AN-240			240VAC	3-1393104-4		
KRPA-11AY-12		Ag	AgCdO	12VAC	None	3-1393104-5
KRPA-11AY-24				24VAC		3-1393104-7
KRPA-11AY-120				120VAC		3-1393104-6
KRPA-11AY-240				240VAC		3-1393104-8
KRPA-11DG-6	AgCdO			6VDC		4-1393104-7
KRPA-11DG-12				12VDC		4-1393104-3
KRPA-11DG-24		24VDC	4-1393104-5			

Product Code	Arrangement	Contact Material	Coil	Option	Part Number	
KRPA-11DG-48	2 form C, 2 CO	AgCdO	48VDC	None	4-1393104-6	
KRPA-11DG-110			110VDC		4-1393104-2	
KRPA-11DG-125			125VDC		4-1393104-4	
KRPA-11DG-24			24VDC		4-1393104-5	
KRPA-11DG-48			48VDC		4-1393104-6	
KRPA-11DN-12			12VDC	Indicator	5-1393104-0	
KRPA-11DN-24			24VDC		5-1393104-1	
KRPA-11DN-110			110VDC		4-1393104-9	
KRPA-11DY-12			Ag	12VDC	None	5-1393104-6
KRPA-11DY-24				24VDC		5-1393104-7
KRPA-14AG-12	3 form C, 3 CO	AgCdO	12VAC	None	6-1393104-4	
KRPA-14AG-24			24VAC		6-1393104-7	
KRPA-14AG-120			120VAC		6-1393104-5	
KRPA-14AG-240			240VAC	6-1393104-8		
KRPA-14AN-24			24VAC	Indicator	7-1393104-4	
KRPA-14AN-120			120VAC		7-1393104-3	
KRPA-14AN-240		240VAC	7-1393104-5			
KRPA-14AY-24		Ag	24VAC	None	7-1393104-8	
KRPA-14AY-120			120VAC		7-1393104-7	
KRPA-14AY-240			240VAC		7-1393104-9	
KRPA-14DG-12		AgCdO	12VDC	None	8-1393104-2	
KRPA-14DG-24			24VDC		8-1393104-4	
KRPA-14DG-48			48VDC		8-1393104-5	
KRPA-14DG-110			110VDC		8-1393104-1	
KRPA-14DG-125			125VDC	8-1393104-3		
KRPA-14DN-24			24VDC	Indicator	9-1393104-0	
KRPA-14DY-24			Ag	-	None	9-1393104-3

Notes:

- Datasheets and product specification according to IEC 61810-1 and to be used only together with the 'Definitions' section.
- Datasheets and product data is subject to the terms of the disclaimer and all chapters of the 'Definitions' section, available at <http://relays.te.com/definitions>.
- Datasheets, product data, 'Definitions' section, application notes and all specifications are subject to change.

te.com

©2025 TE Connectivity plc. family of companies. All Rights Reserved.

TE Connectivity, TE connectivity (logo) and Every Connection Counts are trademarks owned or licensed by the TE Connectivity plc. family of companies. All other logos, products and/or company names referred to herein might be trademarks of their respective owners.

While TE has made every reasonable effort to ensure the accuracy of the information in this document, TE does not guarantee that it is error-free, nor does TE make any other representation, warranty or guarantee that the information is accurate, correct, reliable or current. TE reserves the right to make any changes to the information contained herein without prior notice. TE Connectivity assumes only those obligations set forth in the terms and conditions for this product and shall in no event be liable for any incidental, indirect, or consequential damages arising out of the sale, resale, use, or misapplication of the product. TE expressly disclaims any implied warranties with respect to the information contained herein, including, but not limited to, implied warranties of merchantability or fitness for a particular purpose. Dimensions, specifications and/or information contained herein are for reference purposes only and are subject to change without notice. Consult TE for the latest dimensions, specifications and/or information. Users of TE Connectivity products must make their own assessment as to whether the respective product is suitable for the respective desired application.

09/25