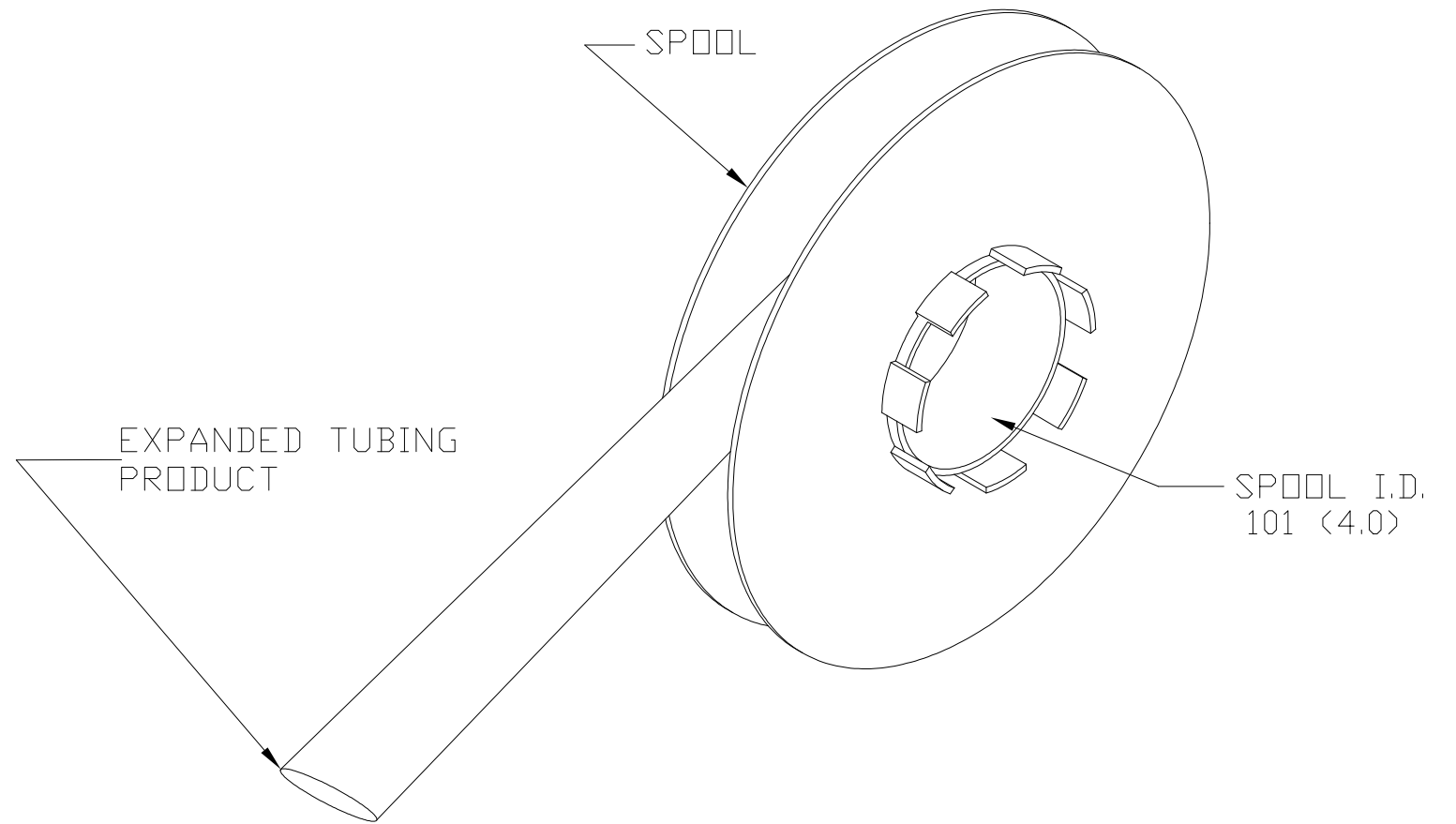
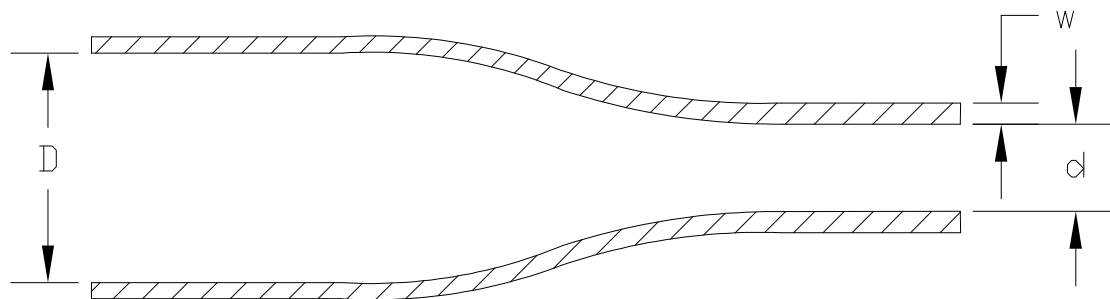
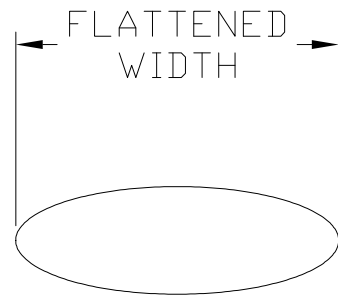


P	LTR	DESCRIPTION	DATE	DWN	APVD
	3	TABLE DIMENSIONS UPDATED	15APR2026	GSK	AK



Product Size	3/32	1/8	3/16	1/4	3/8	1/2	3/4	1	1-1/2
"D" Minimum Supplied I.D.	2.36 (.093)	3.18 (.125)	4.75 (.187)	6.35 (.250)	9.53 (.375)	12.7 (.500)	19.05 (.750)	25.4 (1.00)	38.1 (1.50)
"d" Maximum Recovered I.D.	0.79 (.031)	1.58 (.063)	2.38 (.094)	3.18 (.125)	4.76 (.188)	6.35 (.250)	9.53 (.375)	12.7 (.500)	19.05 (.750)
"w" Recovered Wall Thickness	0.38±0.08 (.015±.003)	0.38±0.08 (.015±.003)	0.38±0.08 (.015±.003)	0.38±0.08 (.015±.003)	0.38±0.08 (.015±.003)	0.38±0.08 (.015±.003)	0.38±0.08 (.015±.003)	0.43±0.10 (.017±.004)	0.43±0.10 (.017±.004)
Minimum Sleeve Flattened Width	4.32 (.170)	5.84 (.230)	8.00 (.315)	10.7 (.421)	15.5 (.610)	20.3 (.800)	30.5 (1.20)	40.4 (1.59)	60.3 (2.37)

NOTES:

1. ALL DIMENSIONS ARE IN MILLIMETERS (inches).
2. ONE SPLICE PER SPOOL PERMITTED. BOX IS MARKED WHERE APPLICABLE

THIS DRAWING IS A CONTROLLED DOCUMENT.		DWN AFK CHK -	19FEB2020	TE Connectivity NAME HT-CT OUTSIDE PRINTER SPOOL	
DIMENSIONS: mm		TOLERANCES UNLESS OTHERWISE SPECIFIED:			
		0 PLC ± -		PRODUCT SPEC	
		1 PLC ± -		RW-2512	
MATERIAL CROSS-LINKED PVdF		2 PLC ± -		APPLICATION SPEC	
		3 PLC ± -		-	
FINISH -		4 PLC ± -		SIZE	A3
		ANGLES ± -		CAGE CODE	-
		FINISH -		DRAWING NO	C-MCD170015
		MATERIAL CROSS-LINKED PVdF		RESTRICTED TO	-
		FINISH -		WEIGHT	VARIOUS
		FINISH -		CUSTOMER DRAWING	
		FINISH -		SCALE	-
		FINISH -		SHEET	1 OF 1
		FINISH -		REV	3