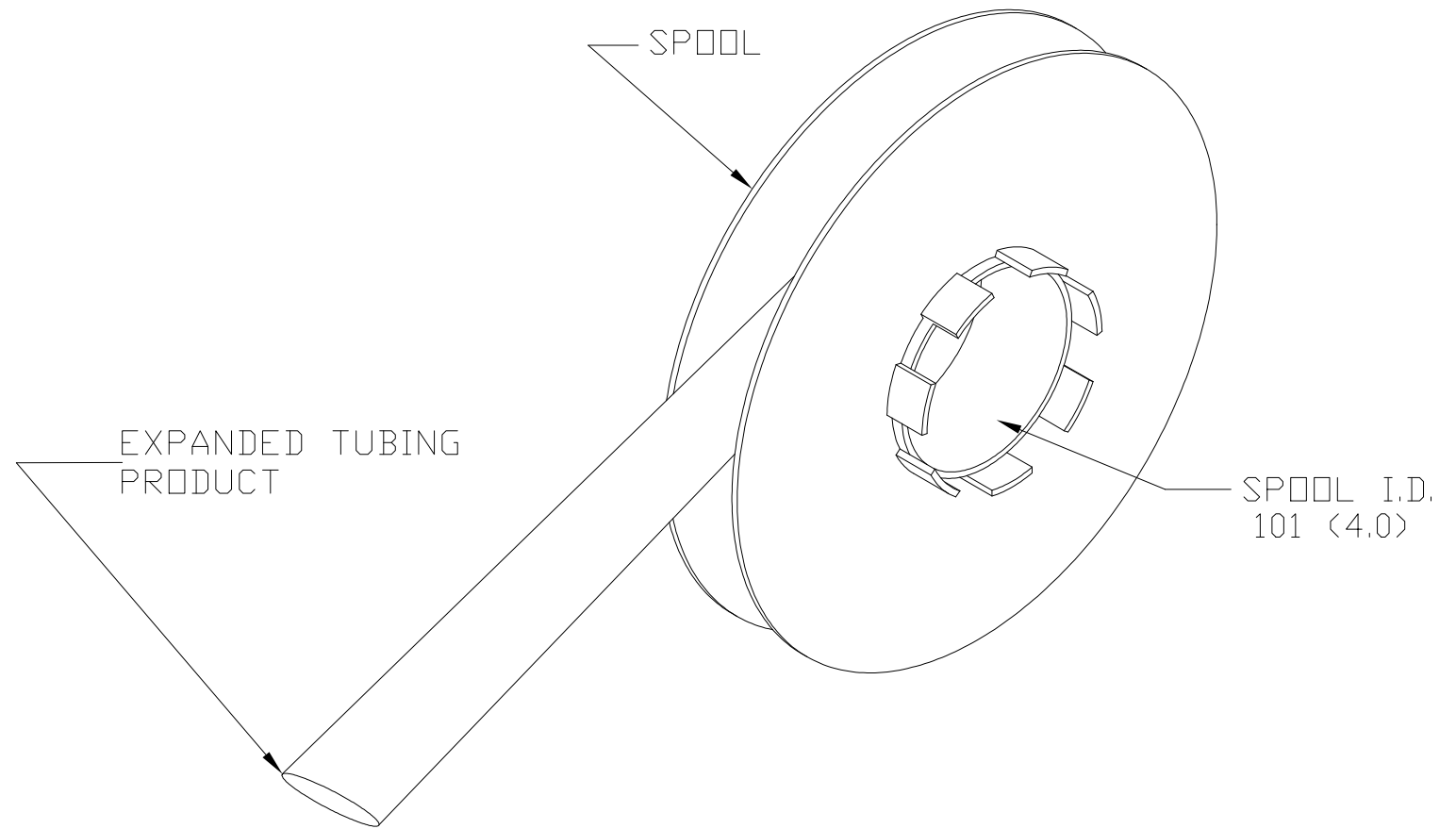
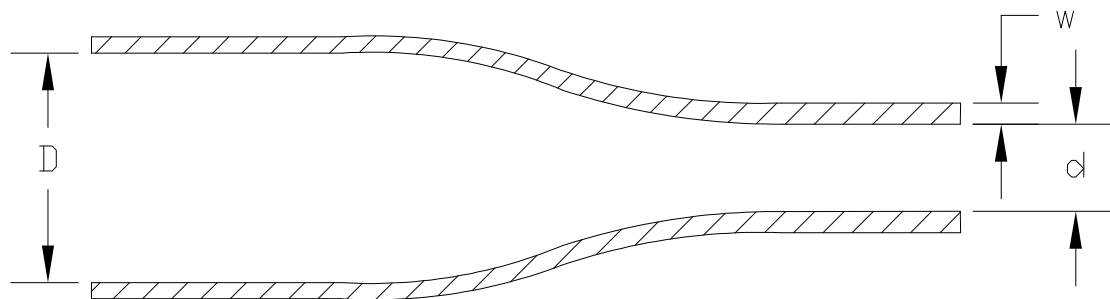
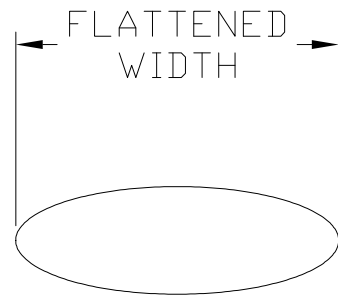


P	LTR	DESCRIPTION	DATE	DWN	APVD
	B1	TABLE DIMENSIONS UPDATED	15APR2026	GSK	AK



Product Size	2.4	3.2	4.8	6.4	9.5	12.7	19.0	25.4	38.1
"D" Minimum Supplied I.D.	2.40 (.094)	3.20 (.126)	4.80 (.189)	6.35 (.250)	9.50 (.374)	12.70 (.500)	19.05 (.750)	25.40 (1.00)	38.10 (1.50)
"d" Maximum Recovered I.D.	1.19 (.047)	1.60 (.063)	2.40 (.094)	3.20 (.126)	4.80 (.189)	6.40 (.250)	9.50 (.374)	12.70 (.500)	19.05 (.750)
"w" Recovered Wall Thickness	0.50±0.10 (.020±.004)	0.50±0.10 (.020±.004)	0.51±0.11 (.020±.004)	0.65±0.15 (.026±.006)	0.65±0.15 (.026±.006)	0.65±0.15 (.026±.006)	0.75±0.15 (.030±.006)	0.90±0.15 (.035±.006)	1.00±0.20 (.039±.008)
Minimum Sleeve Flattened Width	4.90 (.193)	6.50 (.256)	8.90 (.350)	11.0 (.430)	15.7 (.618)	20.7 (.815)	30.7 (1.209)	41.1 (1.620)	61.0 (2.40)

NOTES:

1. ALL DIMENSIONS ARE IN MILLIMETERS (inches).
2. ONE SPLICE PER SPOOL PERMITTED. BOX IS MARKED WHERE APPLICABLE

THIS DRAWING IS A CONTROLLED DOCUMENT.		DWN AFK	30JAN2020	TE Connectivity	
		CHK -	-		
DIMENSIONS: mm		TOLERANCES UNLESS OTHERWISE SPECIFIED:		APVD LS	
		0 PLC ± -		30JAN2020	
		1 PLC ± -		NAME	
		2 PLC ± -		ZHD-CT	
		3 PLC ± -		OUTSIDE PRINTER SPOOL	
		4 PLC ± -		-	
		ANGLES ± -		SIZE	
MATERIAL		FINISH		CAGE CODE	
CROSSLINKED POLYOLEFIN		-		A30198G	
				DRAWING NO	
				C=MCD170008	
				RESTRICTED TO	
				-	
				WEIGHT	
				VARIOUS	
				CUSTOMER DRAWING	
				SCALE	
				-	
				SHEET	
				1 OF 1	
				REV	
				B1	