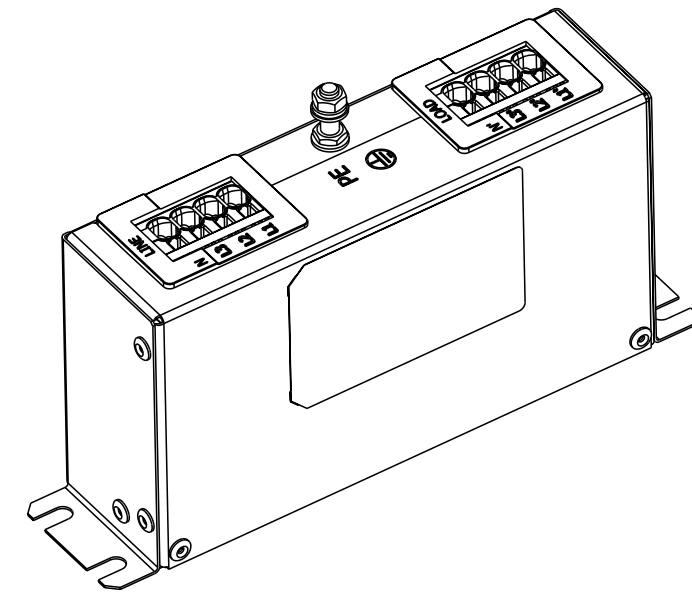
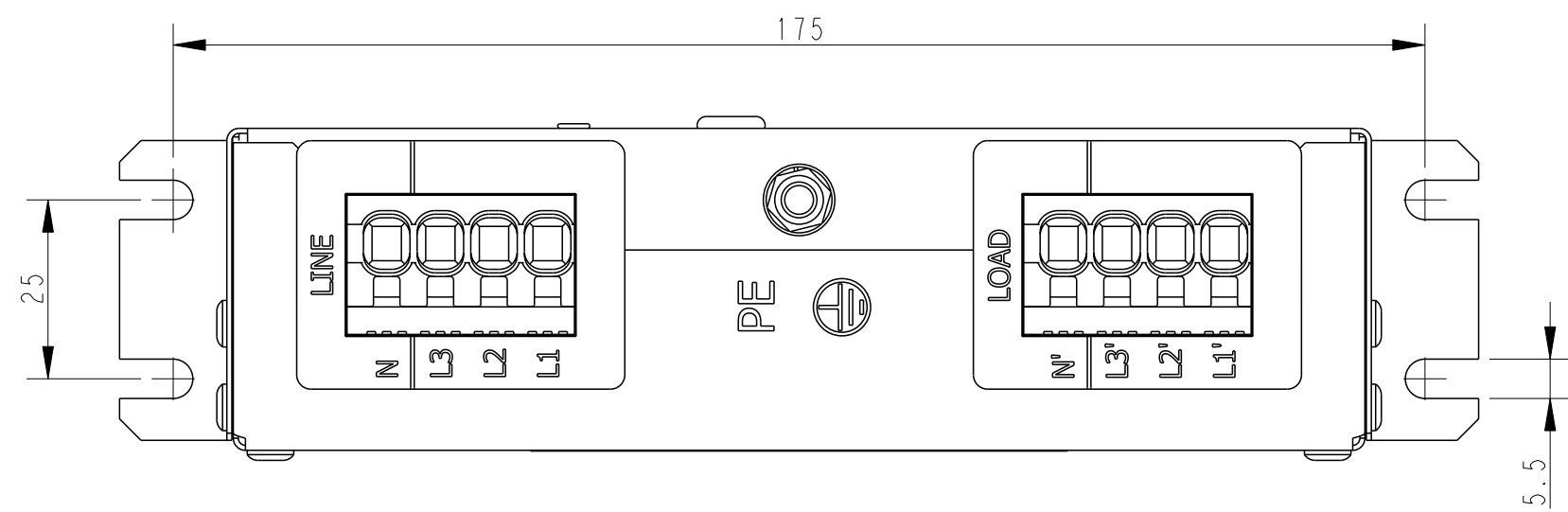
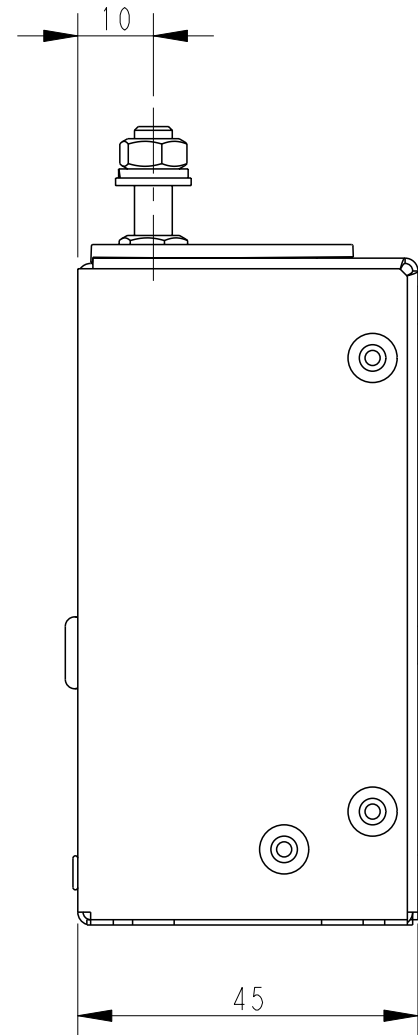
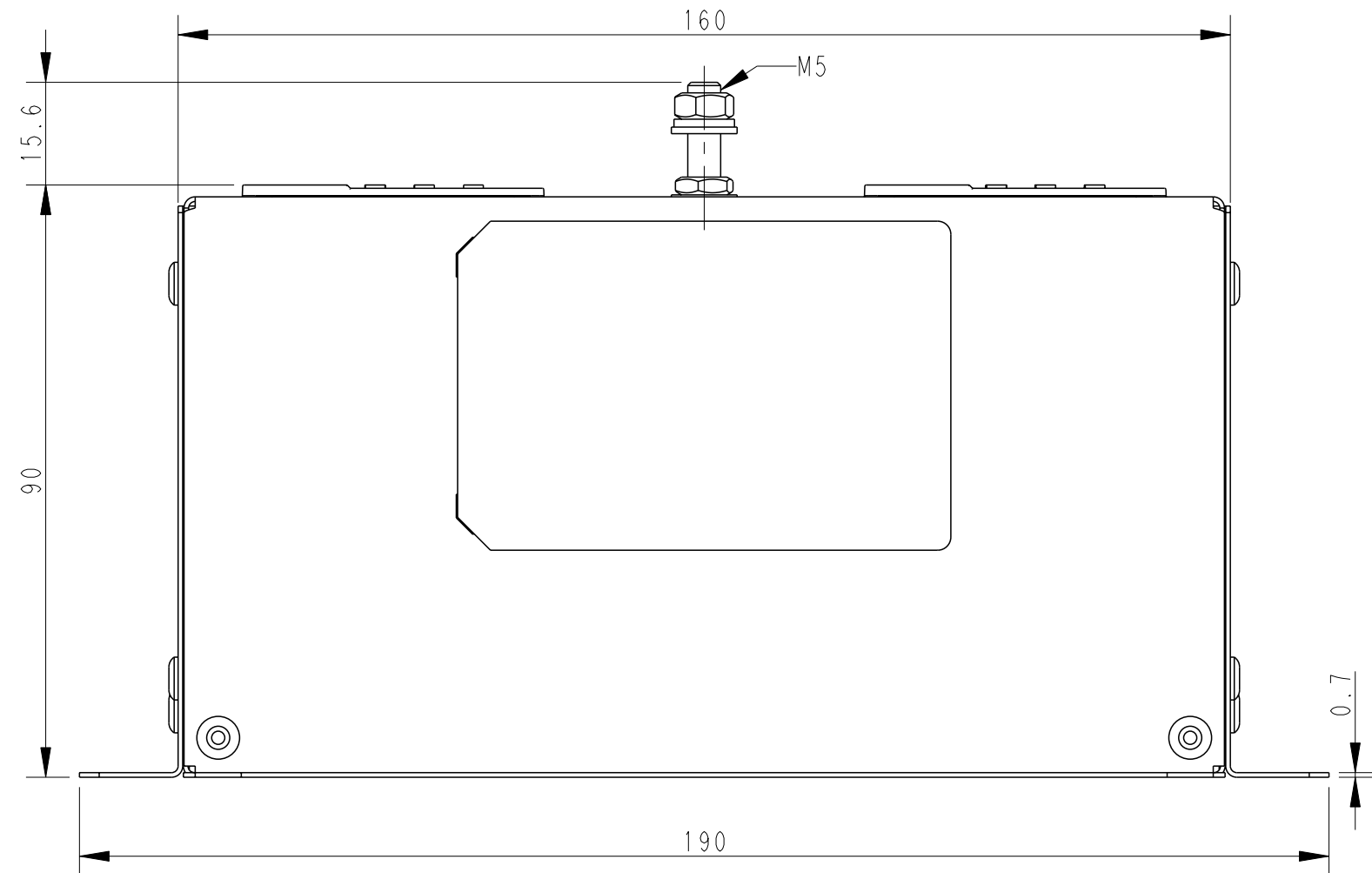


© copyright_date

8A/16A



SCALE 1:2

REVISIONS				
P	LTR	DESCRIPTION	DATE	APVD
	A	NEW DRAWING	12NOV2025	PS AF

DESCRIPTION	TE PART NO/ MATERIAL NUMBER
FN3297-8-103-C24-R66	823747-SF
FN3297-8-103-C19-R66	823748-SF
FN3297-16-103-C24-R66	823749-SF
FN3297-16-103-C19-R66	823750-SF

THIS DRAWING IS A CONTROLLED DOCUMENT.

DWN PUNEEET S 12NOV2025

CHK FAIVRE, ARNAUD 12NOV2025

APVD FAIVRE, ARNAUD 12NOV2025

PRODUCT SPEC

APPLICATION SPEC

WEIGHT

CUSTOMER DRAWING

STE TE Connectivity

NAME FN3297-XX-10X-CXX-R6X

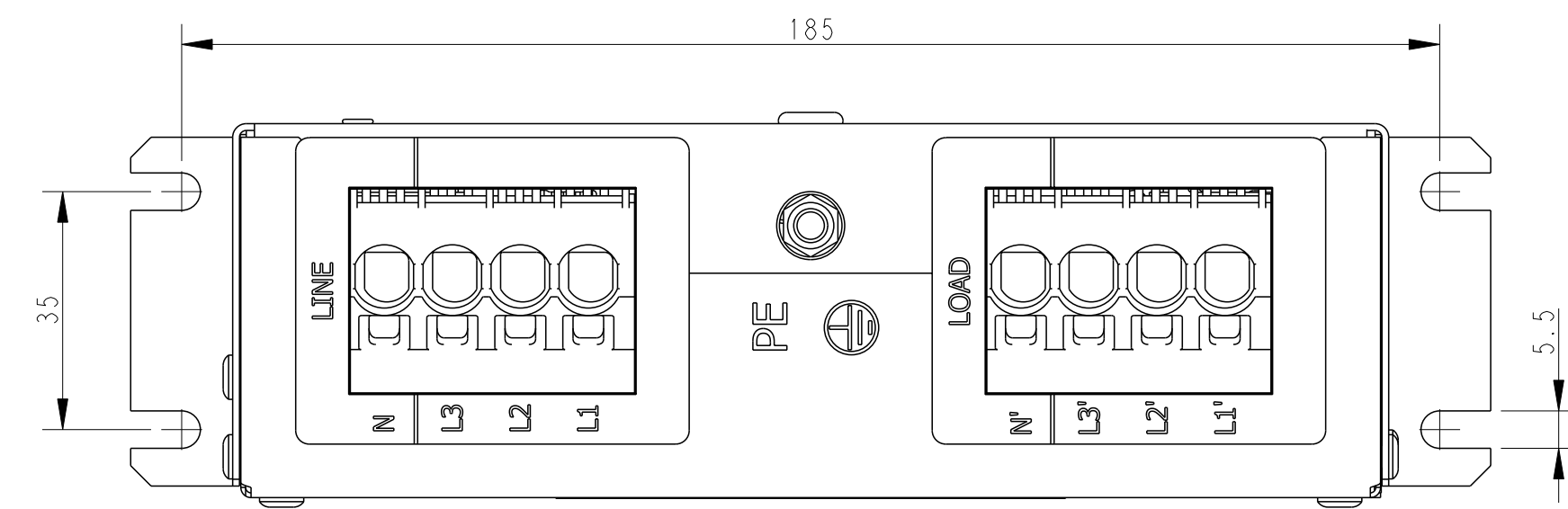
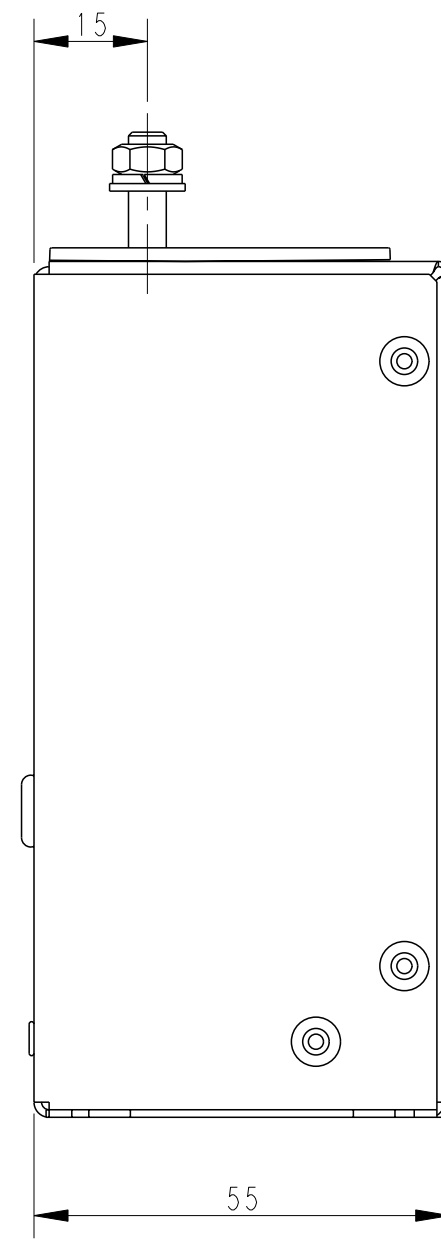
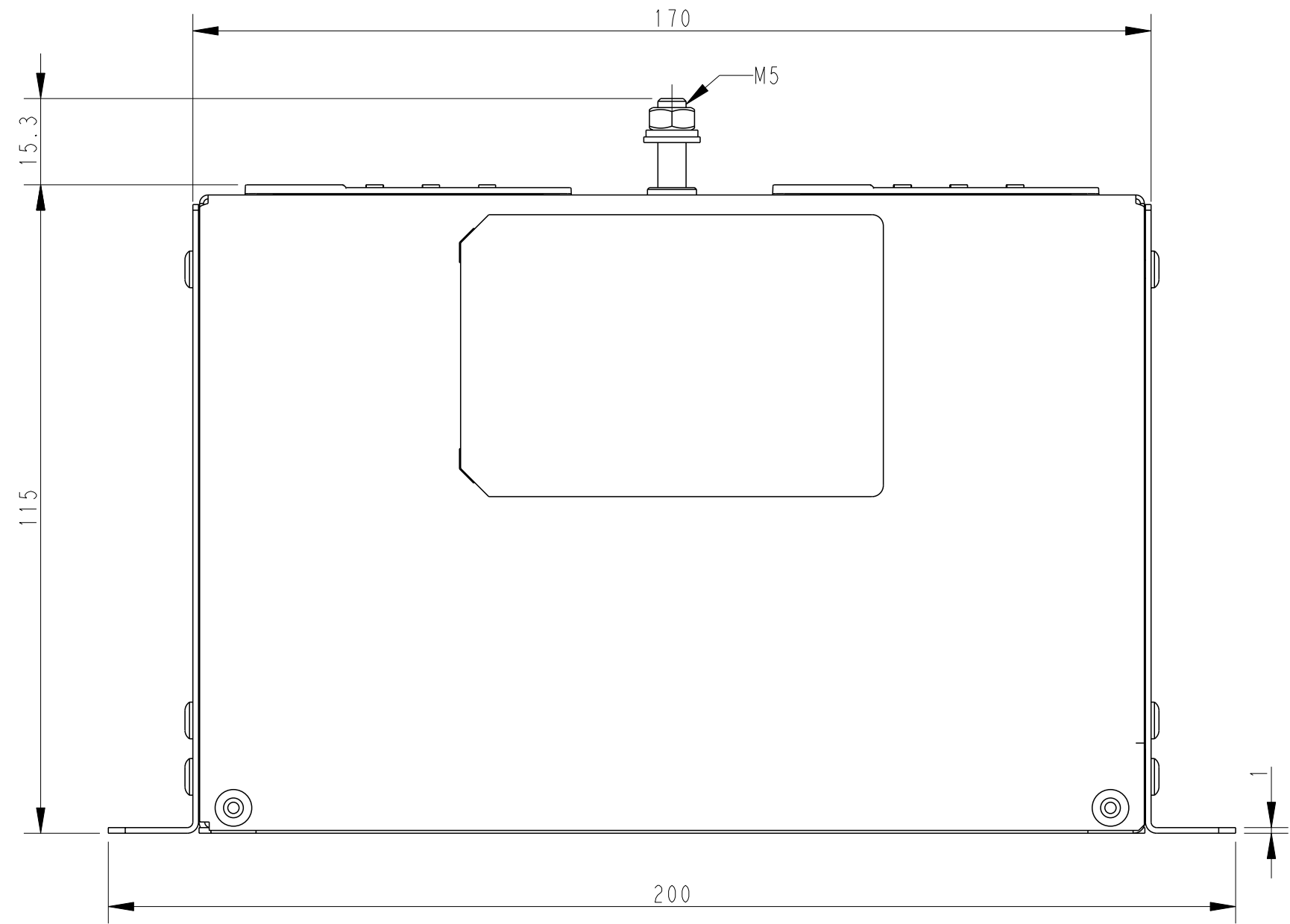
SIZE A2 CAGE CODE 00779 DRAWING NO C-C-FN3297 RESTRICTED TO -

SCALE 5:1 SHEET 1 OF 3 REV A

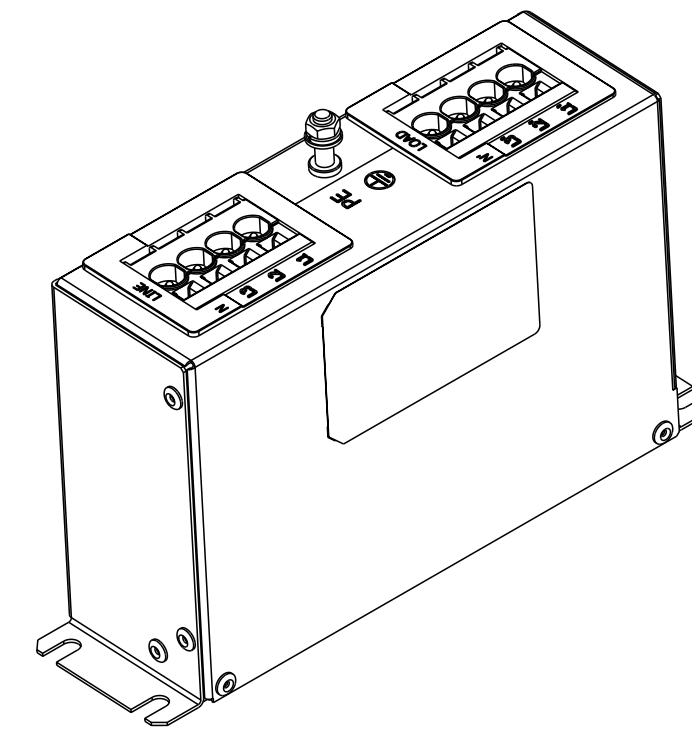
For dimensions [mm] without tolerances: ISO2768-m/EN22768-m applies

REVISIONS				
P	LTR	DESCRIPTION	DATE	APVD
		SEE SHEET 1		

25A



DESCRIPTION	TE PART NO/ MATERIAL NUMBER
FN3297-25-105-C24-R66	823751-SF
FN3297-25-105-C19-R66	823752-SF



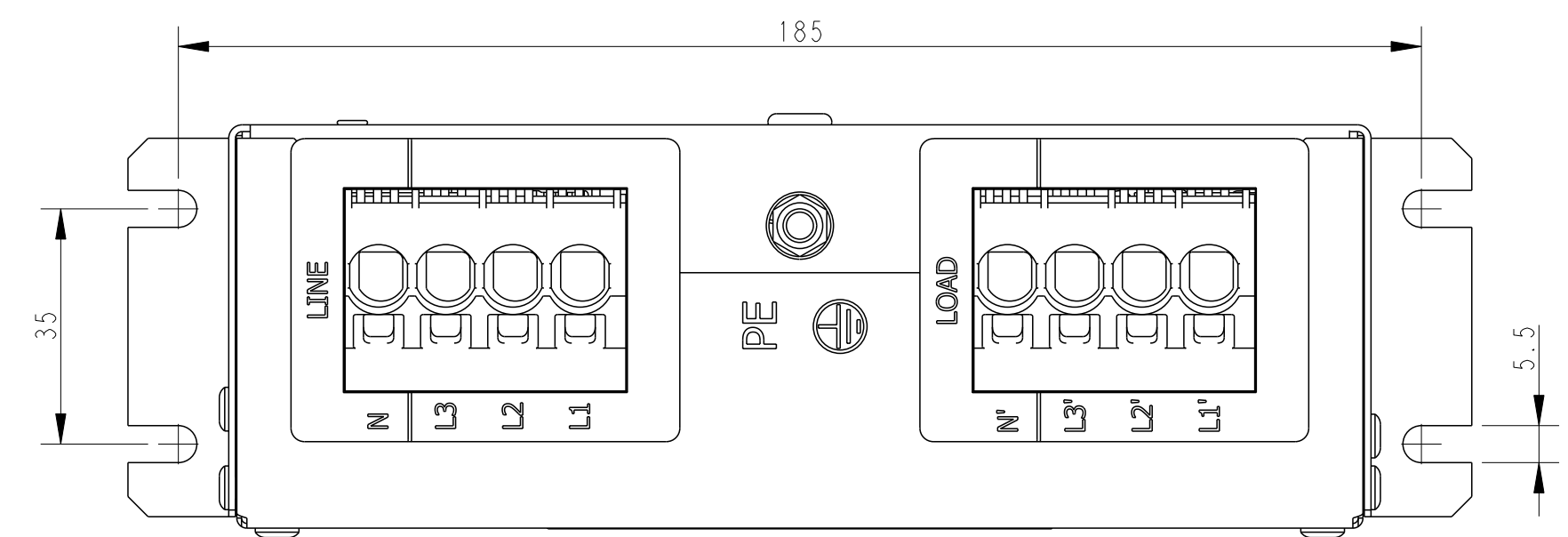
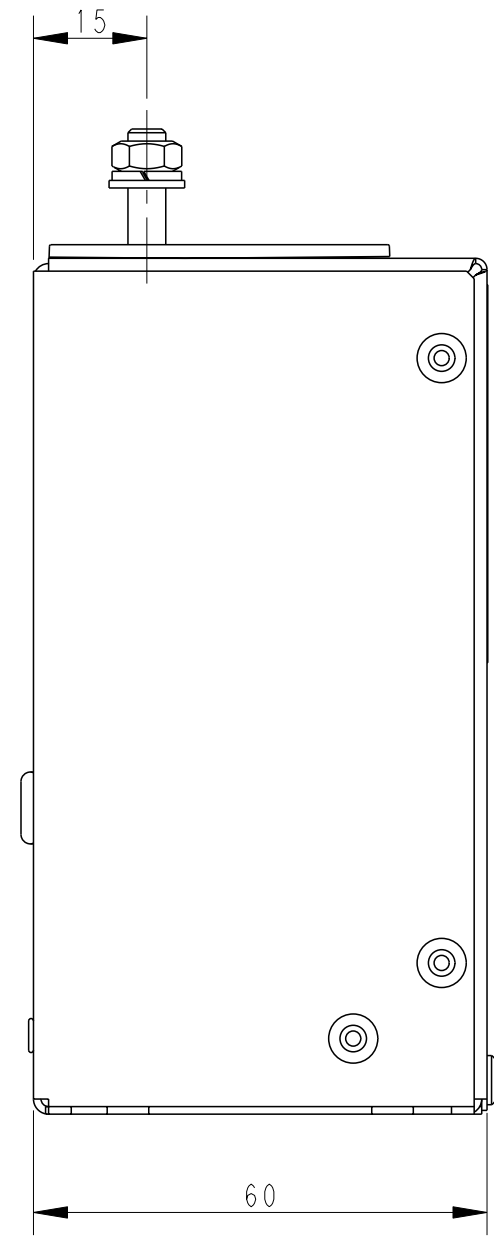
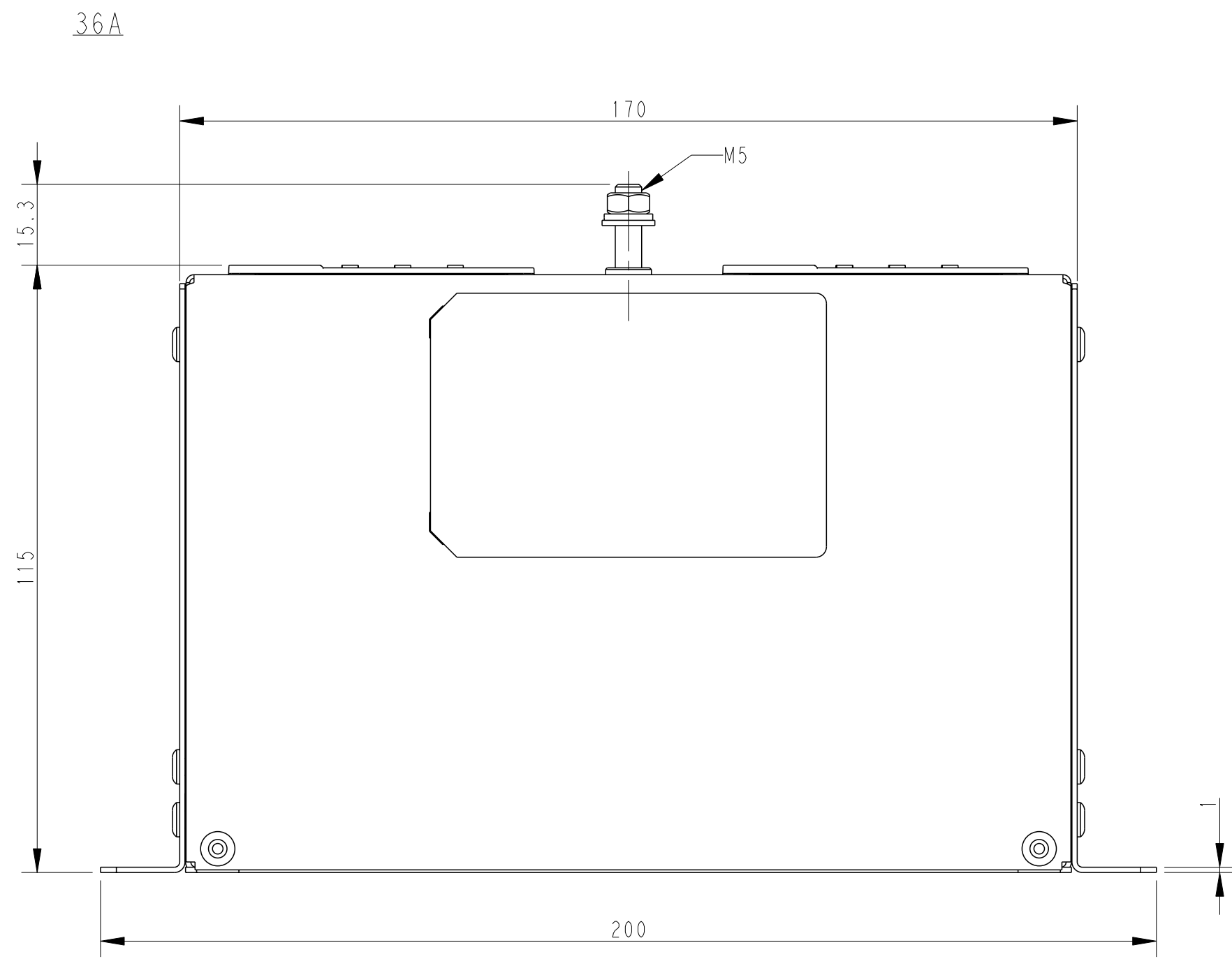
SCALE 1:2

THIS DRAWING IS A CONTROLLED DOCUMENT.		DWN PUNEET S 12NOV2025	STE TE Connectivity	
DIMENSIONS: mm		CHK FAIVRE, ARNAUD 12NOV2025		
TOLERANCES UNLESS OTHERWISE SPECIFIED:		APVD FAIVRE, ARNAUD 12NOV2025	NAME FN3297-XX-10X-CXX-R6X	
0 PLC ±-		PRODUCT SPEC	SIZE	
1 PLC ±-		APPLICATION SPEC	CAGE CODE	DRAWING NO
2 PLC ±-			A2	00779
3 PLC ±-		WEIGHT	C=C-FN3297	
4 PLC ±-		CUSTOMER DRAWING	SCALE	SHEET
ANGLES ±-			5:1	2 OF 3
FINISH				REV
MATERIAL				A

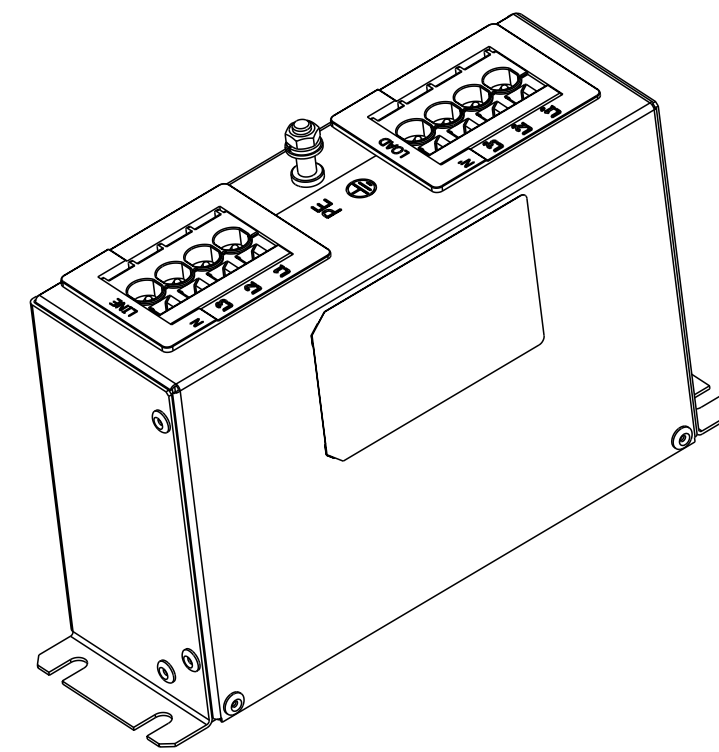
For dimensions [mm] without tolerances: ISO2768-m/EN22768-m applies

© copyright_date

REVISIONS				
P	LTR	DESCRIPTION	DATE	APVD
		SEE SHEET 1		



DESCRIPTION	TE PART NO/ MATERIAL NUMBER
FN3297-36-105-C24-R66	823753-SF
FN3297-36-105-C19-R66	823754-SF



SCALE 1:2

THIS DRAWING IS A CONTROLLED DOCUMENT.		DWN PUNEET S 12NOV2025	TE Connectivity	
DIMENSIONS: mm		CHK FAIVRE, ARNAUD 12NOV2025		
TOLERANCES UNLESS OTHERWISE SPECIFIED:		APVD FAIVRE, ARNAUD 12NOV2025	NAME FN3297-XX-10X-CXX-R6X	
		PRODUCT SPEC	SIZE	
0 PLC ±		APPLICATION SPEC	CAGE CODE	
1 PLC ±		WEIGHT	DRAWING NO	
2 PLC ±		CUSTOMER DRAWING	RESTRICTED TO	
3 PLC ±		SCALE 1:1	SHEET 3 OF 3	
4 PLC ±		SCALE 1:1	REV A	
ANGLES ±				
FINISH				
MATERIAL				

For dimensions [mm] without tolerances: ISO2768-m/EN22768-m applies