

THIS DRAWING IS UNPUBLISHED.

RELEASED FOR PUBLICATION

© COPYRIGHT - TE Connectivity Ltd.

ALL RIGHTS RESERVED.

REVISIONS

P	LTR	DESCRIPTION	DATE	DWN	APVD
	A	INITIAL DRAWN	18OCT2019	RV	MB

OUTSTANDING PERFORMANCE

- Higher capacity rating over standard M83536 relays
- Mechanical Life Expectancy: >50,000 cycles
- Excellent in switching harsh inductive loads (motor/lamp)
- -70°C to + 125°C Temperature range
- 80,000 ft Altitude Rating

RUGGED

- Hermetically Sealed/ non-latching
- All welded construction
- Corrosion protected metal can

VERSATILE

- 28 VDC and 115 VAC coils configurations
- Solder hooks and terminal block configurations

COMPACT/LIGHTWEIGHT

- 1.5 inch cube
- .5 lbs max (227 Grams max)

MARKETS

- Commercial Aircraft
- Military Aircraft
- Missiles
- Defense Systems

FC-335 Series relays from TE Connectivity (TE) are hermetically sealed devices designed for harsh inductive, motor, and lamp load applications in the aerospace, defense, and marine markets.

Configured as a 3PST/NO (DM), the double make contact design of the CII FC-335 Series relays offer higher capacity rating over most standard M83536 relays. It shares the load across two contact sets, helping to minimize less wear. This helps provide stable performance and helps to extend the relay's life. The relay's all welded design creates a reliable alternative to similar solder sealed relays in the market.

ADVANTAGES

- Double make contacts and laser welded enclosure design helps to provide stable performance over life of relay
- 35 Amp / 28 Vdc resistive rating. Similar products on the market are rated at 25 Amps.
- Main contacts are suitable for use in 360-800 Hz variable frequency applications
- Higher current capacity ratings over most standard M83536 relays. Excellent for switching harsh inductive, motor and lamp loads

APPLICATIONS

- Launch Systems
- Power Distribution
- Fuel Pumps
- Guidance and Navigation Systems
- Aircraft Galley/Cabin Equipment
- Weapon Systems
- Ground Support Equipment

Screw Terminals



Solder Hooks



ORDERING INFORMATION

Part Number	Terminal	Mounting	Coil
FC-335-CW3	Solder Hook	Stud	28 Vdc
FC-335-CW4	Solder Hook	Stud	28 Vdc (Suppressed)
FC-335-CW8	Solder Hook	Stud	115 Vac, 400 Hz
FC-335-CW9	Solder Hook	Stud	115 Vac, 50/60 Hz
FC-335-SY3	Screw	Bracket	28 Vdc
FC-335-SY4	Screw	Bracket	28 Vdc (Suppressed)
FC-335-SY8	Screw	Bracket	115 Vac, 400 Hz
FC-335-SY9	Screw	Bracket	115 Vac, 50/60 Hz

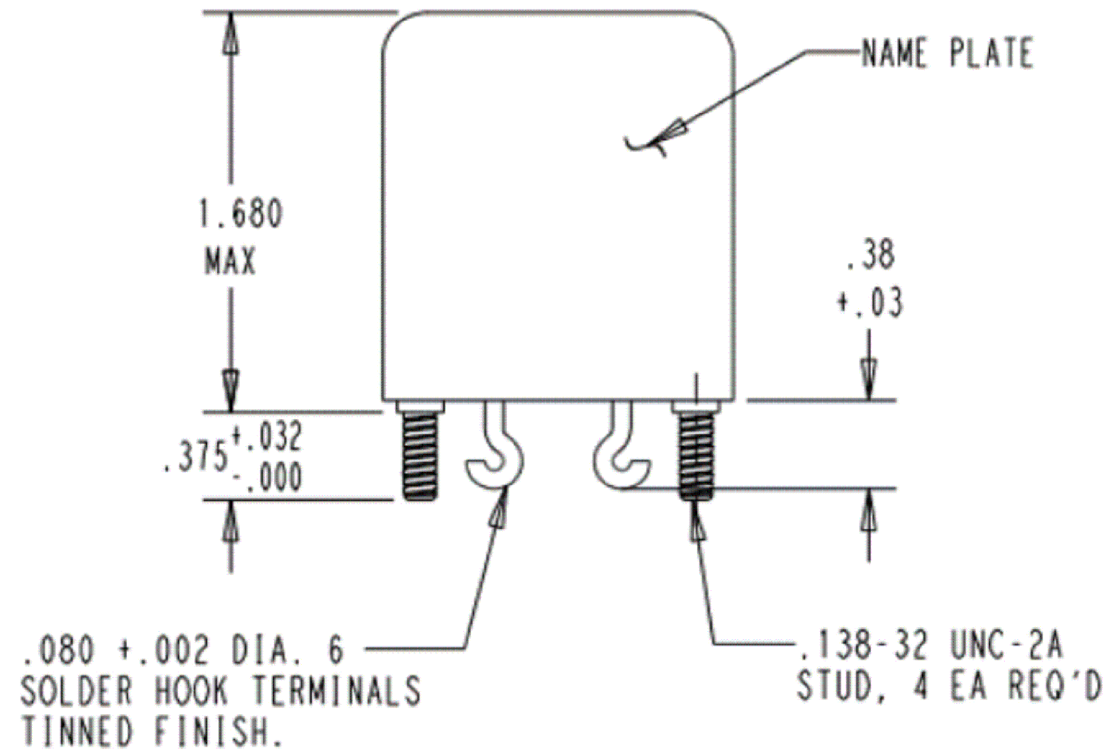
* Custom Orders available upon request. Please contact TE.

THIS DRAWING IS A CONTROLLED DOCUMENT.		DWN RV	18OCT2019				
		CHK RV	18OCT2019				
		APVD MB	18OCT2019				
DIMENSIONS: INCHES		TOLERANCES UNLESS OTHERWISE SPECIFIED:		NAME FC-335-SERIES			
		0 PLC	± -	PRODUCT SPEC			
		1 PLC	± -	-			
		2 PLC	± -	APPLICATION SPEC			
		3 PLC	± -	-			
		4 PLC	± -	-			
		ANGLES	± -	SIZE	CAGE CODE	DRAWING NO	RESTRICTED TO
MATERIAL		FINISH		WEIGHT	A3	-	©FC-335-SERIES
				CUSTOMER DRAWING			SCALE NTS
				SHEET 1 OF 2			REV A

P	LTR	DESCRIPTION	DATE	DWN	APVD
-	-	SEE SHEET 1	-	-	-

CONFIGURATION

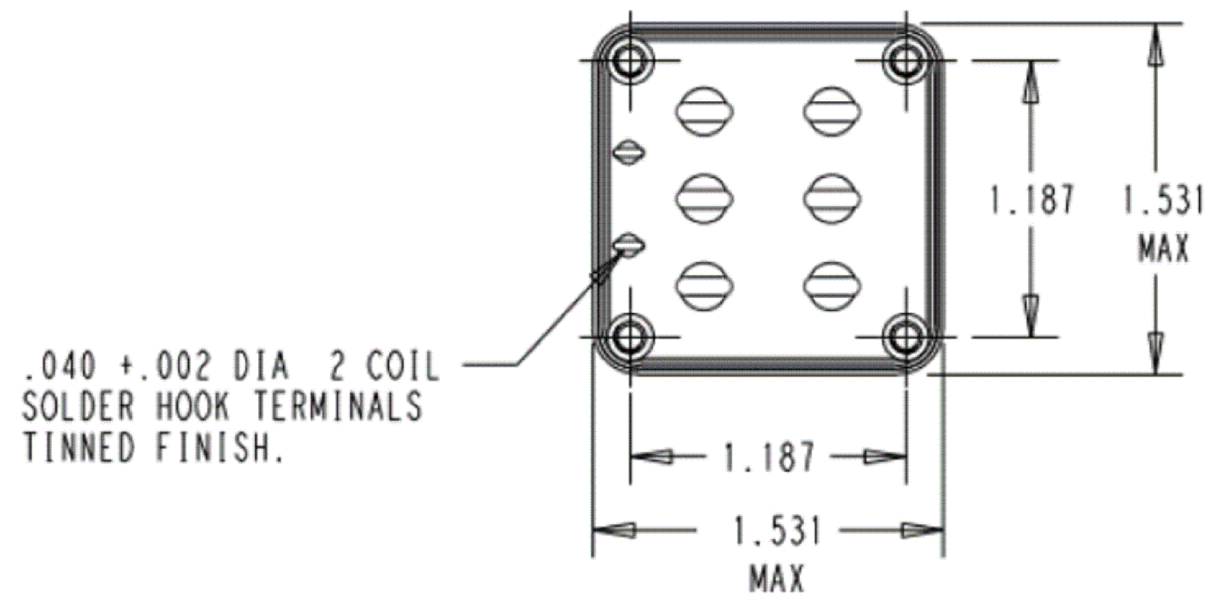
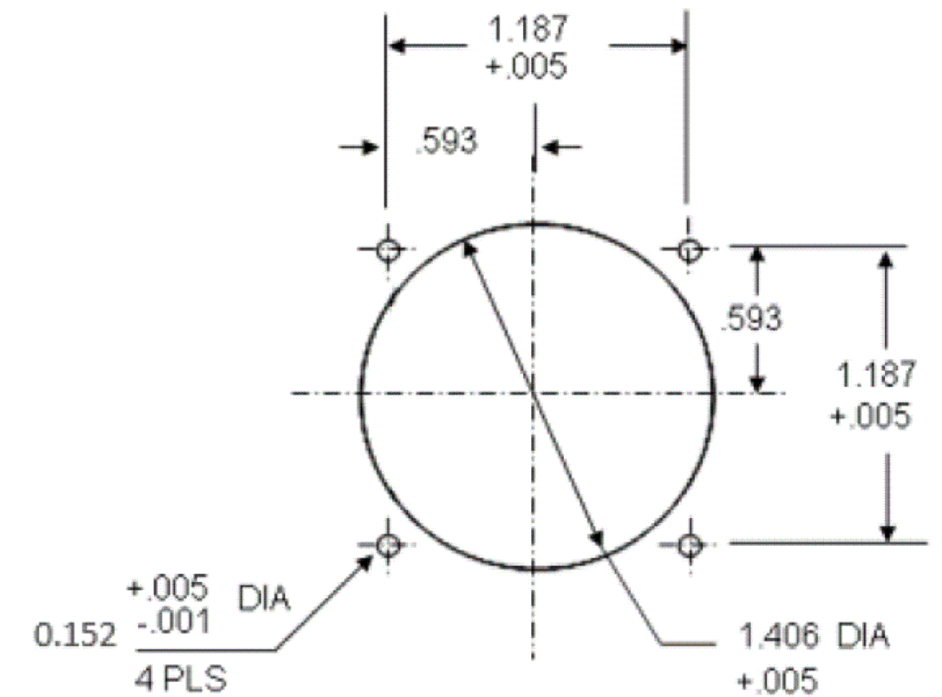
Style 1: Solder Hook Terminals



MOUNTING LAYOUT

Note:

Tolerances ±.010" unless other specified.



THIS DRAWING IS A CONTROLLED DOCUMENT.		DWN RV 18OCT2019	STE TE Connectivity		
		CHK RV 18OCT2019			
DIMENSIONS: INCHES		APVD MB 18OCT2019	NAME FC-335-SERIES		
		TOLERANCES UNLESS OTHERWISE SPECIFIED:		PRODUCT SPEC -	
		0 PLC ± - 1 PLC ± - 2 PLC ± - 3 PLC ± - 4 PLC ± - ANGLES ± -		APPLICATION SPEC -	
MATERIAL -		FINISH -		WEIGHT -	
CUSTOMER DRAWING			SIZE A3	CAGE CODE -	DRAWING NO. FC-335-SERIES
			SCALE NTS	SHEET 2 OF 2	RESTRICTED TO -
					REV A