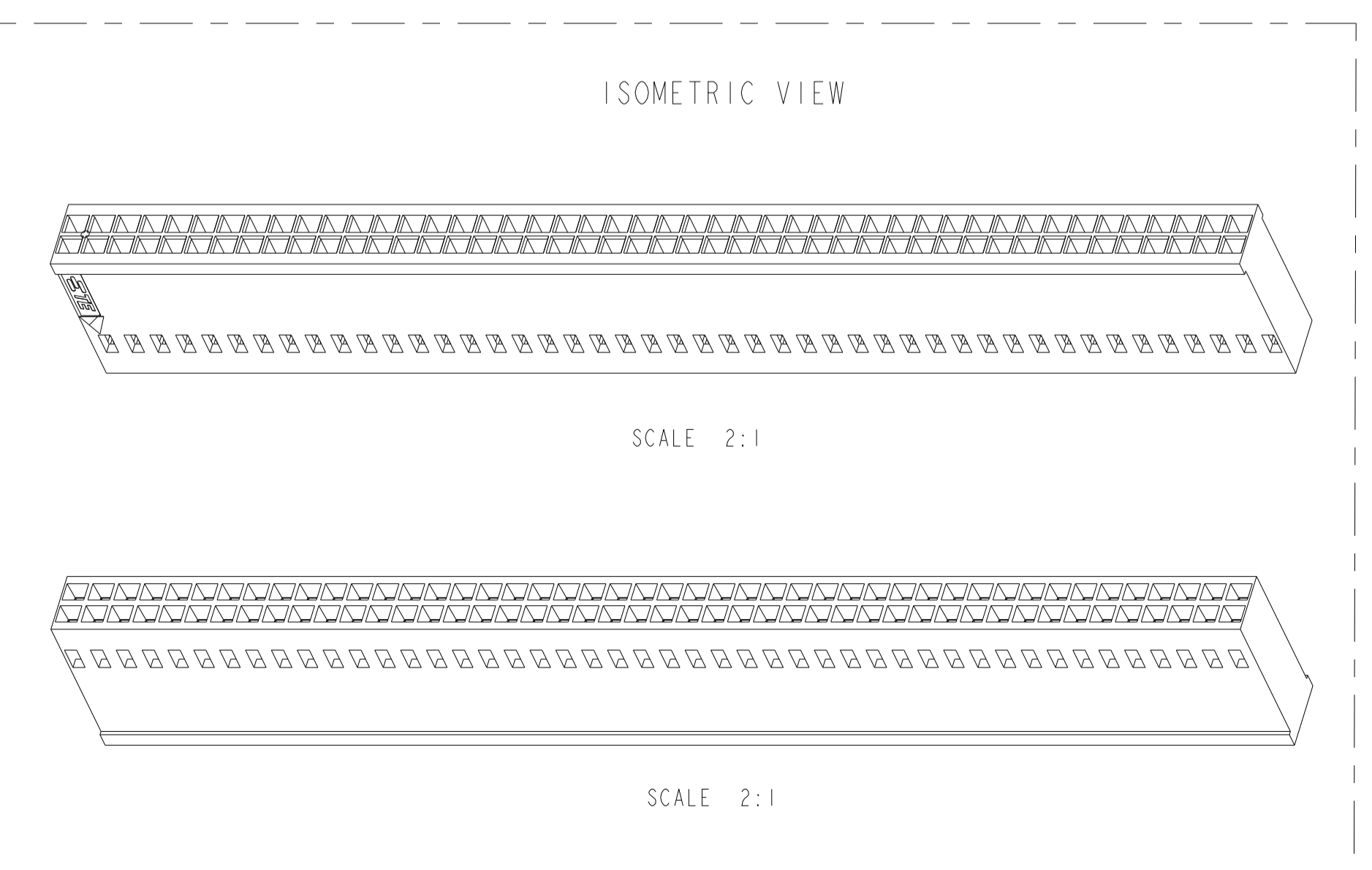
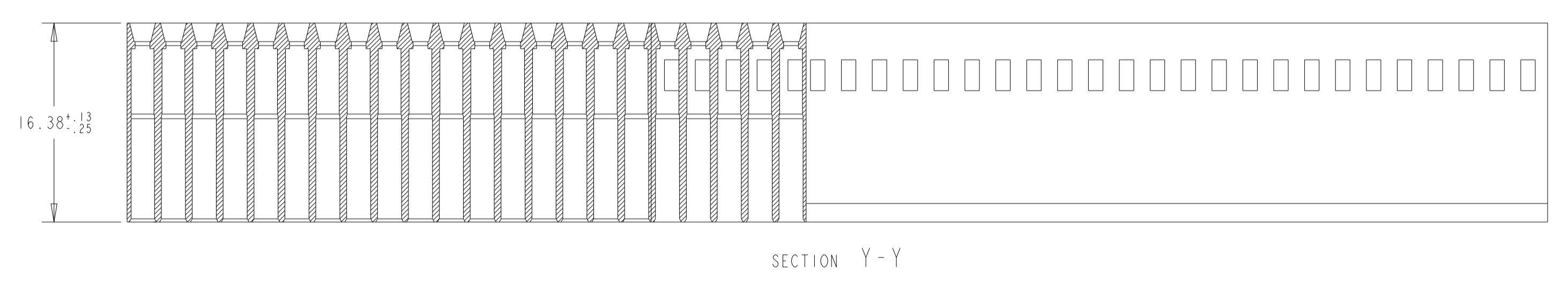
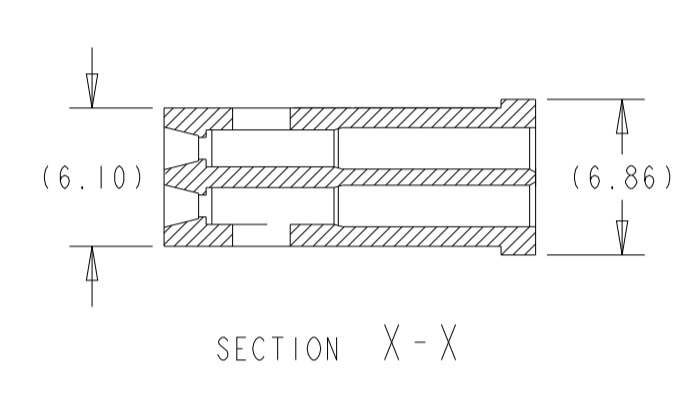
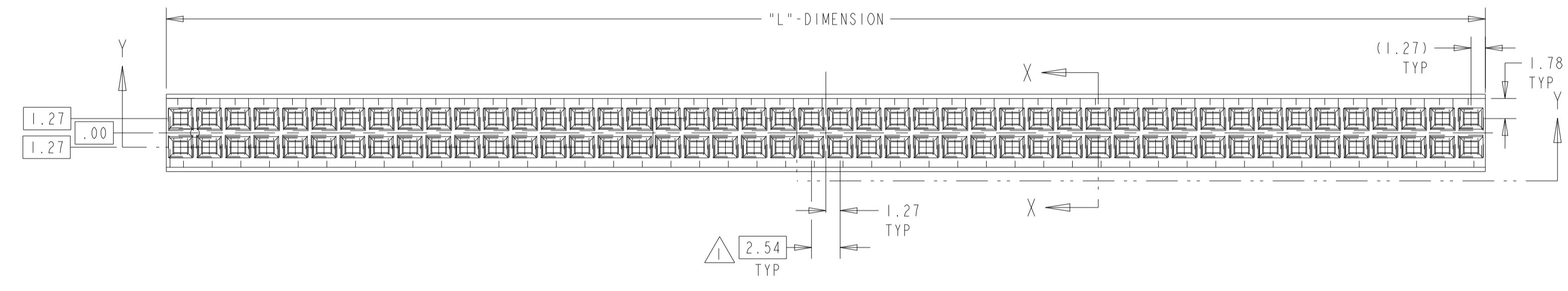
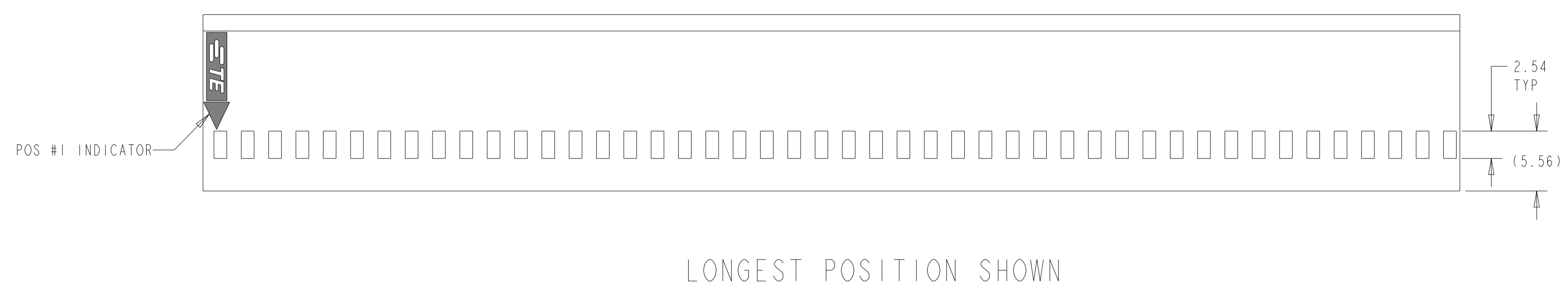


REVISIONS				
P	LTN	DESCRIPTION	DATE	APP'D
R1		REVISED PER ECN-23-211206	24JUN2023	RK MF
R2		NOTE 5 AND 6 REMOVED	22FEB2025	VP PS
R3		NOTE UPDATION, PRODUCT AND APPLICATION SPEC ADDED	14APR2025	RS GVP
R4		ECR-25-263516	03DEC2025	ABS PS

- 1 CAVITY LOCATION DIMENSIONS INCREASE IN INCREMENTS OF 2.54 TOLERANCE NON-CUMULATIVE
- 2 USE EXTRACTION TOOL 843996-3 TO REMOVE RECEPTICAL CONTACTS.
- 3 OBSOLETE PARTS: OBSOLETE CIS STREAMLINING PER D. RENAUD/D. SINISI
- 4 MATERIAL: GLASS FILLED THERMOPLASTIC, UL 94-V0 RATED, COLOR: BLACK
- 5 OBSOLETE



	"L" DIMENSION	NUMBER OF SPACES	NUMBER OF POSITIONS	PART NUMBER
1	5.21	1	4	2-86177-5
2	89.03	34	70	2-86177-4
3	61.09	23	48	2-86177-3
4	116.97	45	92	2-86177-2
5	63.63	24	50	2-86177-1
6	10.29	3	8	2-86177-0
7	66.17	25	52	1-86177-9
8	7.75	2	6	1-86177-8
9	56.01	21	44	1-86177-7
10	22.99	8	18	1-86177-6
11	20.45	7	16	1-86177-5
12	17.91	6	14	1-86177-4
13	15.37	5	12	1-86177-3
14	12.83	4	10	1-86177-2
15	50.93	19	40	1-86177-1
16	48.46	18	38	1-86177-0
17	45.85	17	36	86177-9
18	43.31	16	34	86177-8
19	40.77	15	32	86177-7
20	38.23	14	30	86177-6
21	35.69	13	28	86177-5
22	33.15	12	26	86177-4
23	30.61	11	24	86177-3
24	28.07	10	22	86177-2
25	25.53	9	20	86177-1

THIS DRAWING IS A CONTROLLED DOCUMENT.

OWN: BOB BOLES 07SEP89
 CHG: J. GESEFORD 23OCT89
 APVD: J. GESEFORD 23OCT89

DIMENSIONS: mm
 TOLERANCES UNLESS OTHERWISE SPECIFIED:
 0 PLC ±
 1 PLC ±.5
 2 PLC ±0.5
 3 PLC ±0.13
 4 PLC ±
 ANGLES ±40° 30'
 FINISH

MATERIAL: 4

SIZE: 114-25003, 114-25016
 WEIGHT: -

CUSTOMER DRAWING

TE Connectivity
 NAME: MOD IV CRIMP SNAP-IN CONNECTOR, DOUBLE ROW, 2.54 CENTERS
 PRODUCT SPEC: 108-25020
 APPLICATION SPEC: -

RESTRICTED TO: A
 SCALE: 3:1
 SHEET: 1 OF 1
 REV: R4