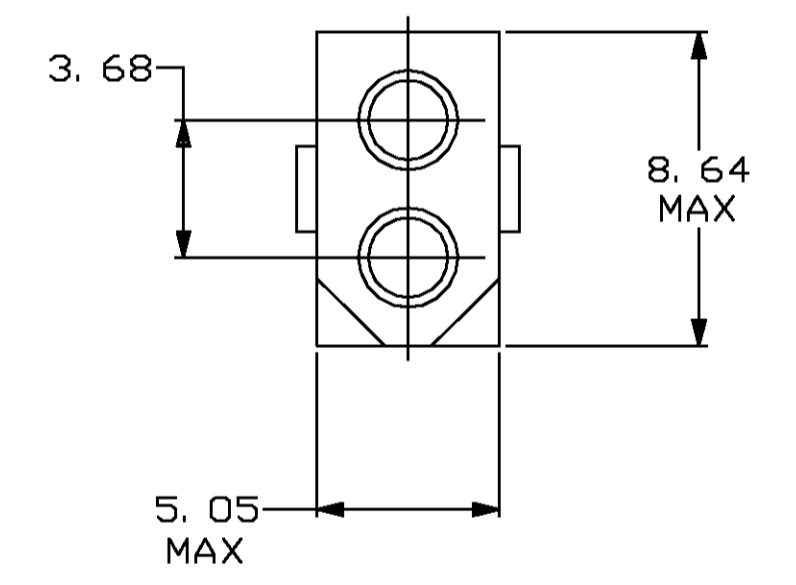
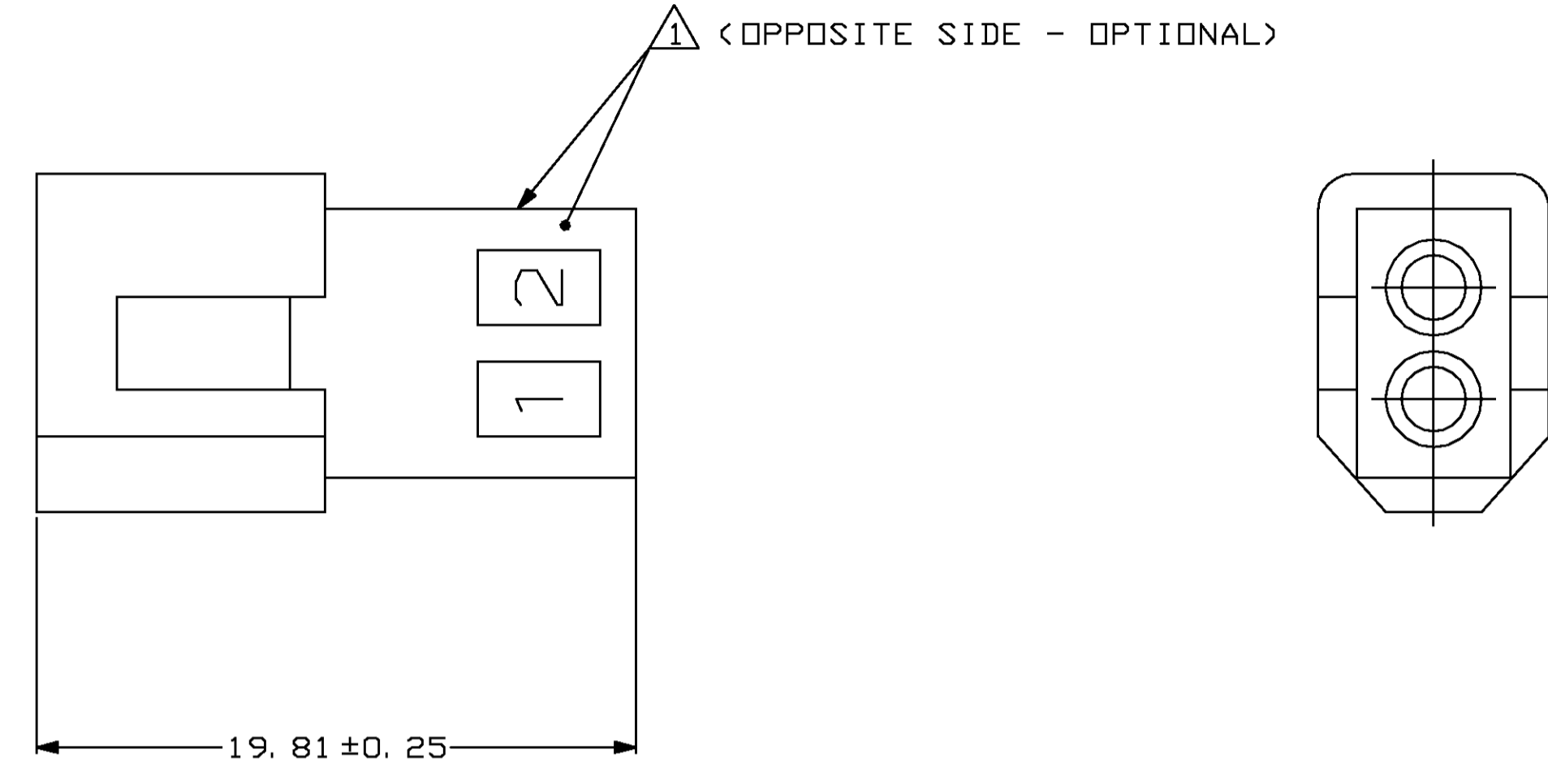
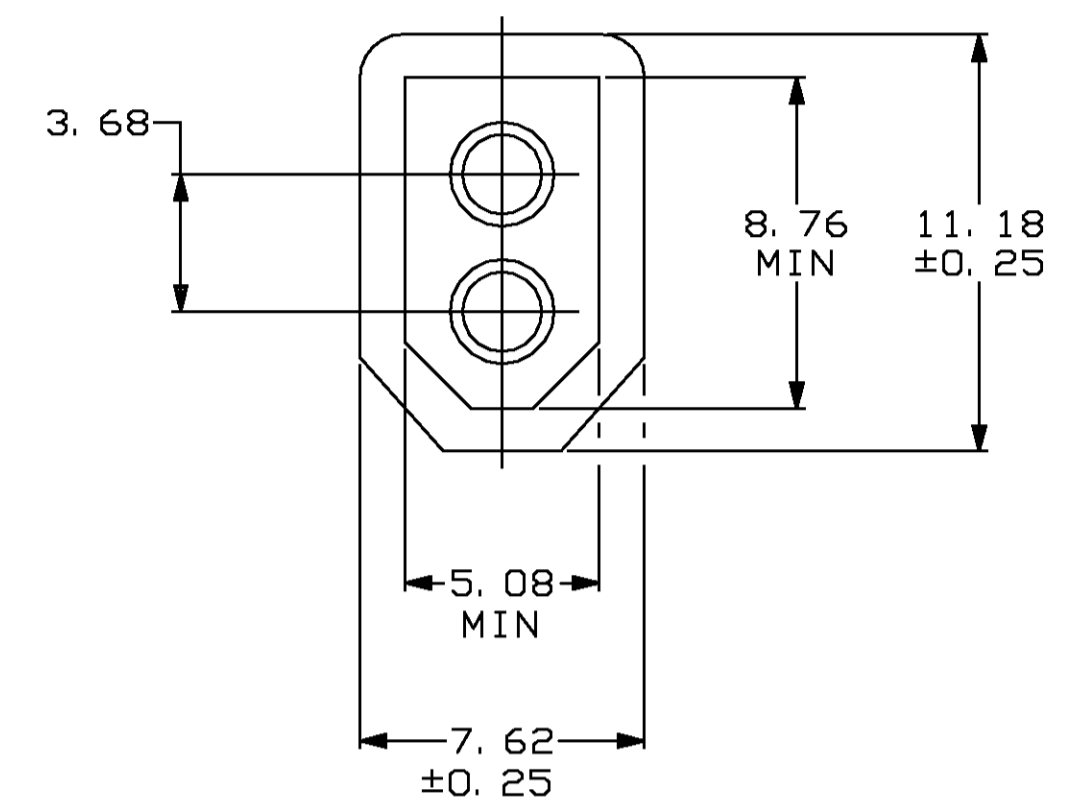
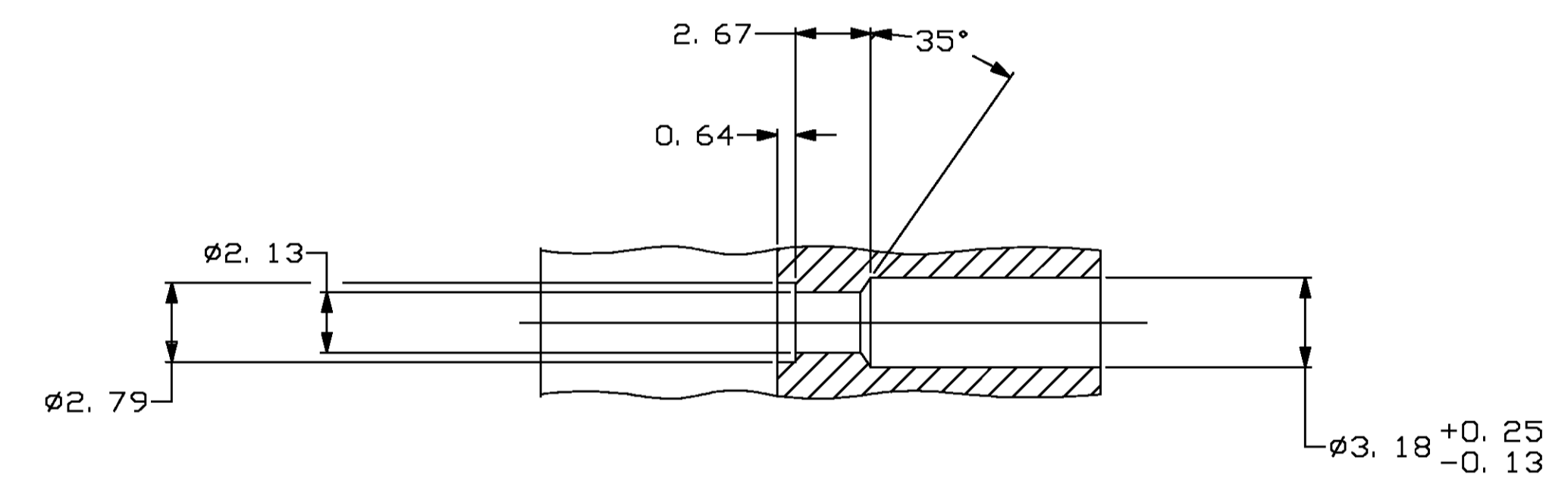


LOC	DIST	REVISIONS			
P	LTN	DESCRIPTION	DATE	DRN	APPD
G1		REVISED PER ECO-11-004917	21MAR11	RK	HMR
G2		ECN-25-354600	17NOV25	CK	IMK

△ AMP LOGO AND CAVITY NUMBER LOCATED ON EITHER SURFACE.



MATING CONNECTOR INTERFACE



TYPICAL PLUG CAVITY SECTION
(DIMENSIONS REFERENCE ONLY)

MM	IN	MM	IN	MM	IN
2.67	.105	5.08	.200	19.81	.780
2.13	.084	5.05	.199	11.18	.440
0.64	.025	3.68	.145	8.76	.345
0.25	.010	3.18	.125	8.64	.340
0.13	.005	2.79	.110	7.62	.300

CONVERSION TABLE

METRIC

OBSOLETE	BLACK	770340-3
	NATURAL	770340-1
	COLOR	PART NO

THIS DRAWING IS A CONTROLLED DOCUMENT.

DIMENSIONS: MM	TOLERANCES UNLESS OTHERWISE SPECIFIED:	DRN L. McEACHIN, Sr. 30MAY00	APPRO S. RIDGILL 30MAY00	NAME S. RIDGILL 30MAY00
0 PLC ± -	1 PLC ± -	2 PLC ± -	3 PLC ± 0.13	4 PLC ± -
ANGLES ± -				
MATERIAL NYLON, UL 94V-2	FINISH -	WEIGHT -	SIZE A1	CAGE CODE 00779
CUSTOMER DRAWING		SCALE 5:1	SHEET 1 OF 1	REV G2

STE TE Connectivity

PLUG, 2 CIRCUIT, .062 PIN AND SOCKET