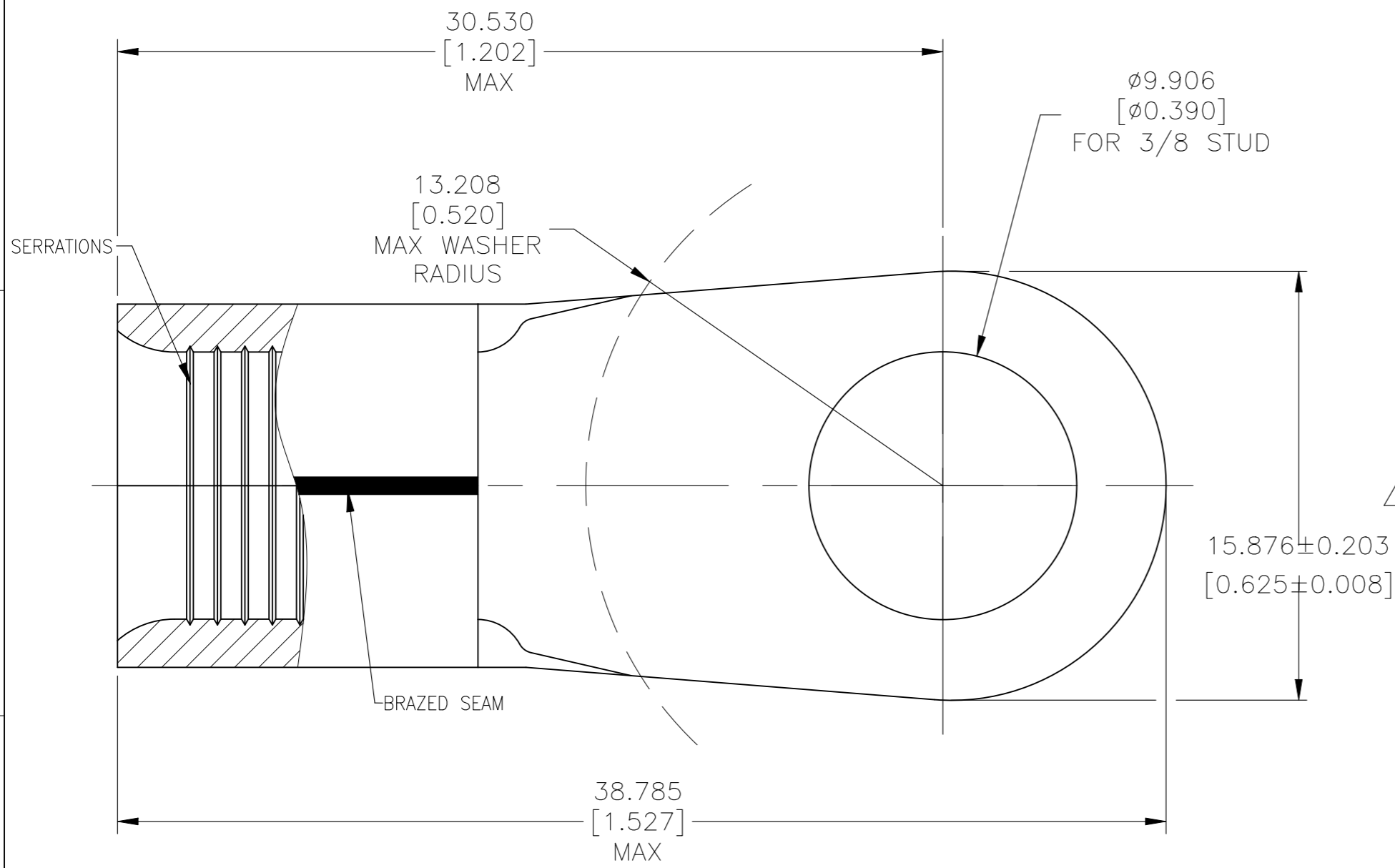


REVISIONS					
P	LTR	DESCRIPTION	DATE	DWN	APVD
	C	REVISED PER ECN-25-354023	18NOV2025	SN	DR



- 1 WIRE RANGE IS FOR 2 AWG STANDARD WIRE CROSS SECTIONAL AREA RANGE: 52,600-83,700 CMA, STRANDED WIRE.
 - 2 TERMINAL BODY MATERIAL THK IS 1.778 ± 0.076 [0.070 ± 0.003].
 - 3 RECOMMENDED OPERATING TEMP -65°C [-85°F] TO $+200^{\circ}\text{C}$ [392°F] FOR HEAT SHRINK TUBING.
 - 4 HEAT SHRINK TUBING SHELF LIFE OF 144 MONTHS FROM DATE CODE ON LABEL.
- 5 TERMINAL BODY PRODUCT SPECIFICATION 108-32046. APPLICATION SPECIFICATION 114-2162.

QTY	PART NO	DESCRIPTION
1	1-1196717-9	HIGH AND LOW TEMPERATURE CROSS LINKED FLUOROPOLYMER HEAT SHRINK TUBING 15.88[0.625]MIN ID X 38.10 \pm 2.03[1.50 \pm 0.08] RT555-5/8-0-SP
1	323177	TERMINAL BODY: COPPER PER ASTM B152 ANNEALED FINISH: NICKEL PLATE 0.00762 [0.000300] MIN EXT THK PER SAE AMS QQ-N-290

THIS DRAWING IS A CONTROLLED DOCUMENT.		DWN JR RUTH 08DEC09	STE TE Connectivity		
DIMENSIONS: mm [INCHES]		CHK TOM MICHIELUTTI 08DEC09			
TOLERANCES UNLESS OTHERWISE SPECIFIED:		APVD TOM MICHIELUTTI 08DEC09	NAME -		
0 PLC $\pm -$		PRODUCT SPEC	HEAT RESISTANT TERMINAL KIT WIRE SIZE: 2 AWG		
1 PLC $\pm -$		5	SIZE		
2 PLC $\pm -$		5	CAGE CODE		
3 PLC ± 0.127 [0.005]		5	DRAWING NO		
4 PLC $\pm -$			RESTRICTED TO		
ANGLES $\pm 1^{\circ}$			A3 00779 C-696644		
MATERIAL SEE TABLE		FINISH SEE TABLE	WEIGHT -		
			CUSTOMER DRAWING		
			SCALE 5:1		
			SHEET 1 OF 1		
			REV C		