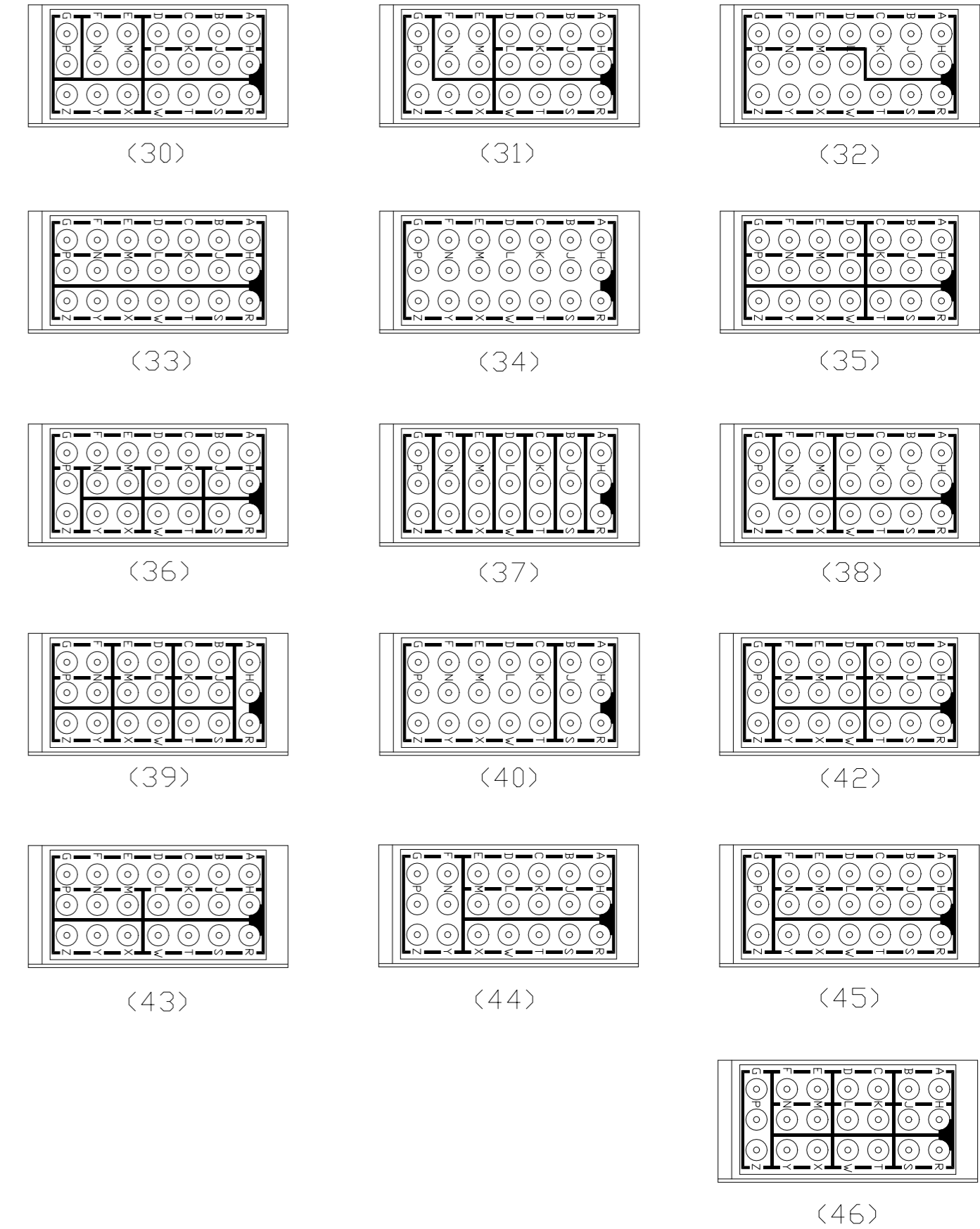
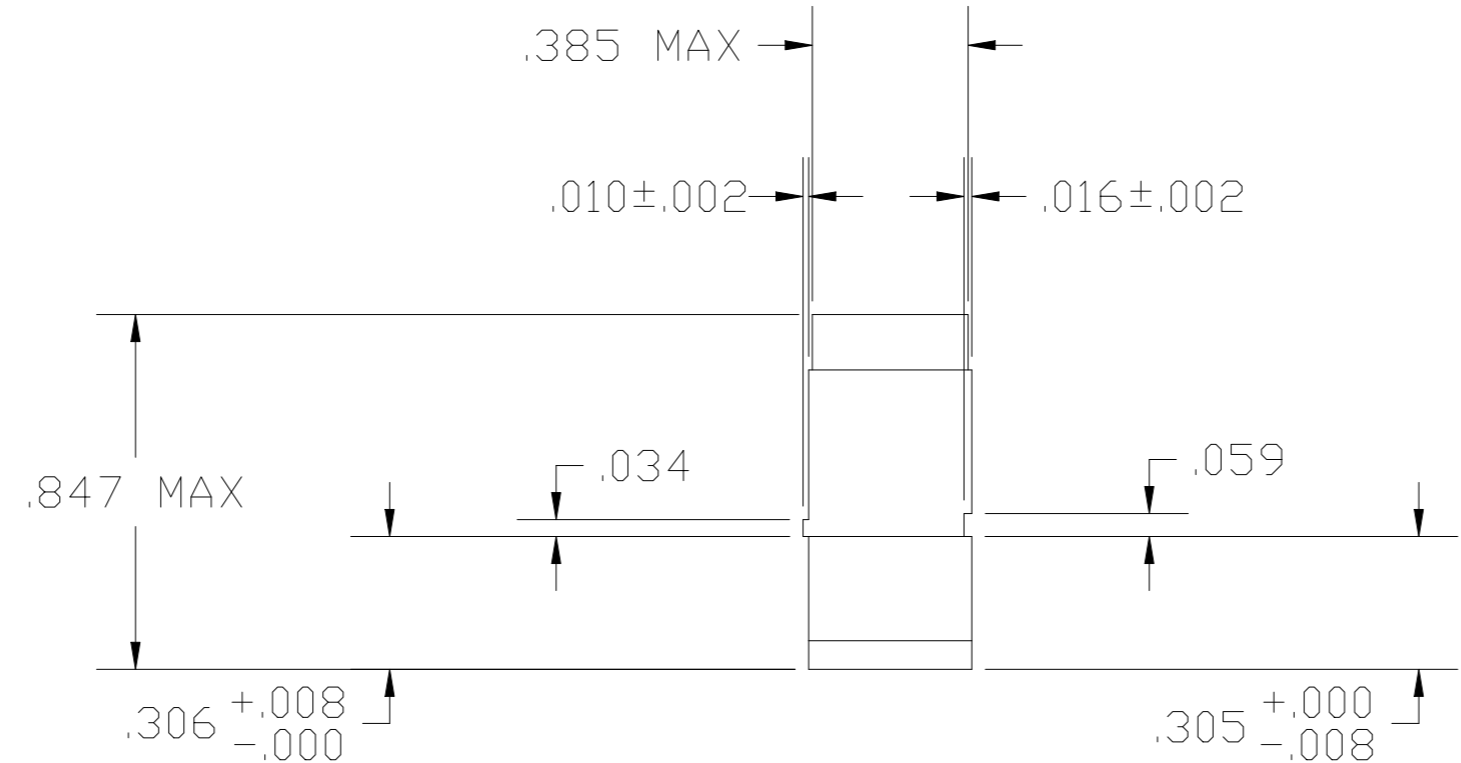
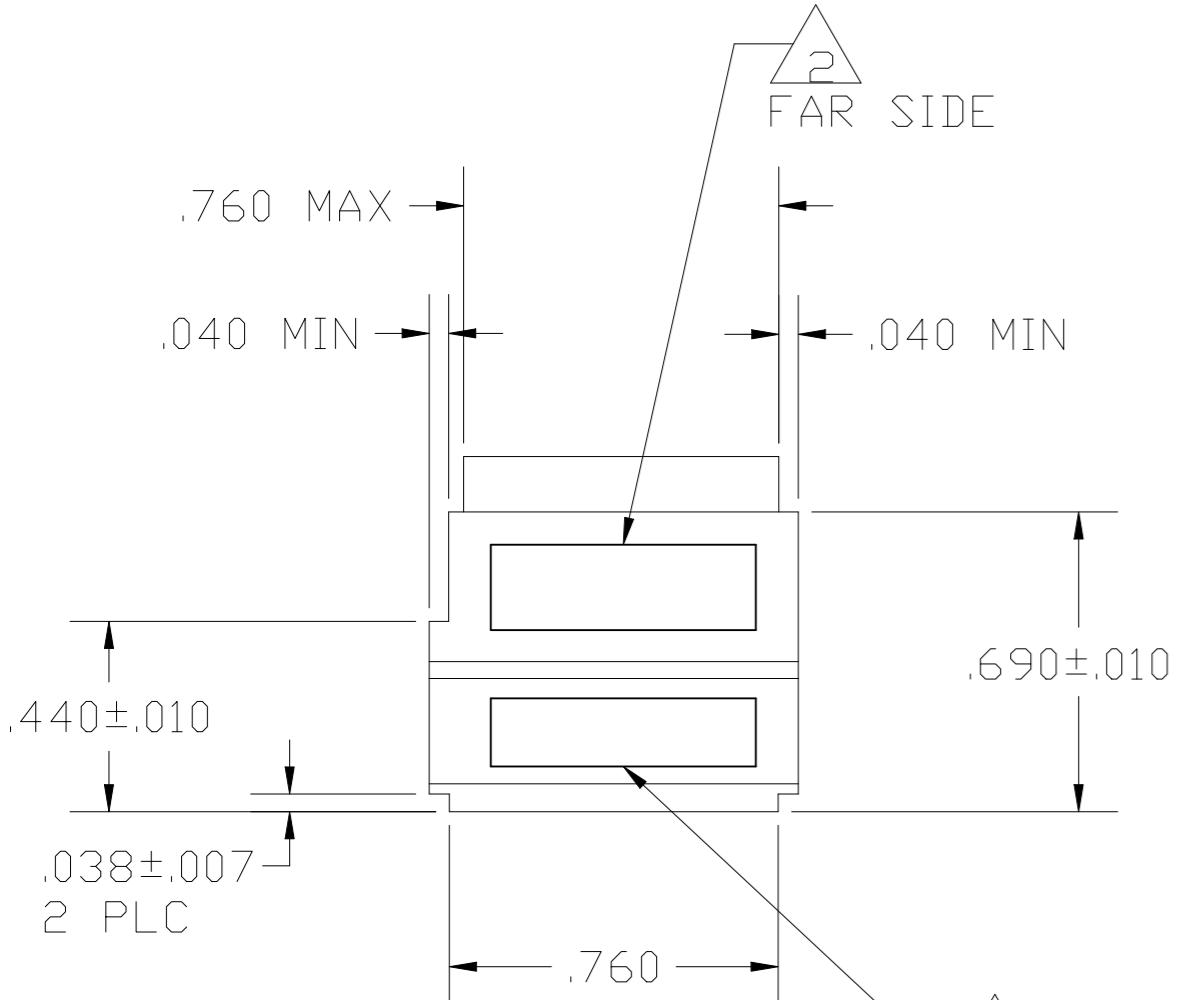
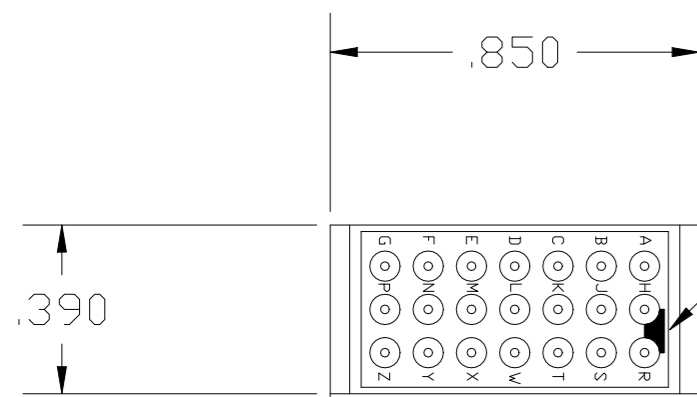


| DESCRIPTION     | MATERIAL  | FINISH                        |
|-----------------|---|-------------------------------|
| MODULE ASSEMBLY | EPOXY   | COLOR: BLACK                  |
| GROMMET         | FLUORSILICONE RUBBER  | COLOR: BLUE                   |
| CONTACT SOCKET  | BERYLLIUM COPPER<br>PER QQ-C-533  | GOLD PLATE<br>PER MIL-G-45204 |
| RETAINING CLIP  | BERYLLIUM COPPER<br>PER QQ-C-533<br>OR<br>STAINLESS STEEL<br>PER QQ-S-766 | NONE                          |
| CONTACTS        | COPPER ALLOY<br>PER MIL-C-39029/1   | GOLD PLATE<br>PER MIL-G-45204 |
| SEALING PLUGS   | F.E.P.<br>PER MIL-P-19468   | COLOR: BLACK                  |

| P | LTR | DESCRIPTION           | DATE      | OWN | APVD |
|---|-----|-----------------------|-----------|-----|------|
| G |     | REV PER ECN-25-342461 | 08SEP2025 | AD  | MR   |





### BUSSING ARRANGEMENTS 3

- 3 BUSSING ARRANGEMENT OUTLINE DENOTES INTERNAL ARRANGEMENT OF CONTACT SOCKETS.
- 2 MODULE ASSEMBLY MARKED WITH CUSTOMER PART NO., MILITARY PART NO. IF REQUIRED .060 MINIMUM HIGH CHARACTERS AT APPROXIMATE AREA SHOWN.
- 1 MODULE ASSEMBLY MARKED WITH "TE", TE PART NO. AND DATE CODE .060 MINIMUM HIGH CHARACTERS AT APPROXIMATE AREA SHOWN.

|  |  |                            |                                     |           |
|--|--|----------------------------|-------------------------------------|-----------|
| THIS DRAWING IS A CONTROLLED DOCUMENT. |  | OWN<br>J. MECK<br>3-10-93  | <b>TE</b> TE Connectivity           |           |
| DIMENSIONS:<br>INCHES                  |  | CHK<br>R. RYAN<br>3-31-93  |                                     |           |
| TOLERANCES UNLESS OTHERWISE SPECIFIED: |  | APVD<br>R. RYAN<br>3-31-93 | NAME<br>-                           |           |
| 0 PLC ± -                              |  | PRODUCT SPEC               | MODULE ASSY, FEED-BACK, SIZE 21, TJ |           |
| 1 PLC ± -                              |  | APPLICATION SPEC           | -                                   |           |
| 2 PLC ± -                              |  |                            | SIZE                                | CAGE CODE |
| 3 PLC ± .005                           |  | WEIGHT                     | A2                                  | 00779     |
| 4 PLC ± -                              |  | CUSTOMER DRAWING           | DRAWING NO<br>C=592629              |           |
| ANGLES ± -                             |  | SCALE                      | 2:1                                 |           |
| FINISH                                 |  | SHEET                      | 1 OF 2                              |           |
|  |  | REV                        | G                                   |           |

| REVISIONS |     |             |      |     |
|-----------|-----|-------------|------|-----|
| P         | LTR | DESCRIPTION | DATE | OWN |
| -         | -   | SEE SHEET 1 | -    | -   |

|  |                      |    |    |    |    |    |    |    |    |    |    |    |    |    |    |    |                    |                          |          |            |
|--|----------------------|----|----|----|----|----|----|----|----|----|----|----|----|----|----|----|--------------------|--------------------------|----------|------------|
| MRTB21D43  |                      |    |    | X  |    |    |    |    |    |    |    |    |    |    |    |    |                    | --                       | --       | 4-592629-9 |
| MRTB21D39  |                      |    |    |    |    |    |    |    | X  |    |    |    |    |    |    |    |                    | --                       | --       | 4-592629-8 |
| M81714/17-D30  |                      |    |    |    |    |    |    |    |    |    |    |    |    |    |    | X  | X                  | X                        | X        | 4-592629-7 |
| M81714/17-D45  |                      | X  |    |    |    |    |    |    |    |    |    |    |    |    |    |    |                    | X                        | X        | 4-592629-5 |
| M81714/17-D36  |                      |    |    |    |    |    |    |    |    | X  |    |    |    |    |    |    |                    | X                        | X        | 4-592629-4 |
| M81714/17-D43  |                      |    |    |    |    |    |    |    |    |    |    |    |    |    |    |    |                    | X                        | X        | 4-592629-3 |
| M81714/17-D42  |                      |    |    |    |    |    |    |    |    |    |    |    |    |    |    |    |                    | X                        | X        | 4-592629-2 |
| M81714/17-D41  |                      |    |    |    |    |    |    |    |    |    |    |    |    |    |    |    |                    | OBSOLETE                 |          | 4-592629-1 |
| -----  |                      |    |    |    |    |    |    |    |    |    |    |    |    |    |    |    |                    | --                       | --       | 4-592629-0 |
| -----  |                      |    |    |    |    |    |    |    |    |    |    |    |    |    |    |    |                    | SUPERCEDED BY 4-592629-9 |          | 3-592629-3 |
| MRTB21D42  |                      |    |    |    |    |    |    |    |    |    |    |    |    |    |    |    |                    | --                       | --       | 3-592629-2 |
| MRTB21D44  |                      |    |    |    |    |    |    |    |    |    |    |    |    |    |    |    |                    |                          |          | 3-592629-1 |
| MRTB21D37  |                      |    |    |    |    |    |    |    |    |    |    |    |    |    |    |    |                    |                          |          | 3-592629-0 |
| MRTB21D36  |                      |    |    |    |    |    |    |    |    |    |    |    |    |    |    |    |                    |                          |          | 2-592629-9 |
| MRTB21D35  |                      |    |    |    |    |    |    |    |    |    |    |    |    |    |    |    |                    |                          |          | 2-592629-8 |
| MRTB21D34  |                      |    |    |    |    |    |    |    |    |    |    |    |    |    |    |    |                    |                          |          | 2-592629-7 |
| MRTB21D32  |                      |    |    |    |    |    |    |    |    |    |    |    |    |    |    |    |                    |                          |          | 2-592629-6 |
| MRTB21D31  |                      |    |    |    |    |    |    |    |    |    |    |    |    |    |    |    |                    |                          |          | 2-592629-5 |
| MRTB21D30  |                      |    |    |    |    |    |    |    |    |    |    |    |    |    |    |    |                    |                          |          | 2-592629-4 |
| G383962-1  |                      |    |    |    |    |    |    |    |    |    |    |    |    |    |    |    |                    |                          |          | 2-592629-3 |
| -----  |                      |    |    |    |    |    |    |    |    |    |    |    |    |    |    |    |                    |                          |          | 2-592629-2 |
| 77A112809-2  |                      | X  |    |    |    |    |    |    |    |    |    |    |    |    |    |    |                    |                          |          | 2-592629-1 |
| -----  |                      |    |    |    |    |    |    |    |    |    |    |    |    |    |    |    |                    |                          |          | 2-592629-0 |
| M81714/17-D44  |                      |    |    |    |    |    |    |    |    |    |    |    |    |    |    |    |                    |                          |          | 1-592629-9 |
| -----  |                      |    |    |    |    |    |    |    |    |    |    |    |    |    |    |    |                    |                          |          | 1-592629-8 |
| M81714/17-D40  |                      |    |    |    |    |    |    |    |    |    |    |    |    |    |    |    |                    |                          |          | 1-592629-7 |
| -----  |                      |    |    |    |    |    |    |    |    |    |    |    |    |    |    |    |                    |                          |          | 1-592629-6 |
| M81714/17-D39  |                      |    |    |    |    |    |    |    |    |    |    |    |    |    |    |    |                    |                          |          | 1-592629-5 |
| -----  |                      |    |    |    |    |    |    |    |    |    |    |    |    |    |    |    |                    |                          |          | 1-592629-4 |
| M81714/17-D38  |                      |    |    |    |    |    |    |    |    |    |    |    |    |    |    |    |                    |                          |          | 1-592629-3 |
| -----  |                      |    |    |    |    |    |    |    |    |    |    |    |    |    |    |    |                    |                          |          | 1-592629-2 |
| M81714/17-D37  |                      |    |    |    |    |    |    |    |    |    |    |    |    |    |    |    |                    |                          |          | 1-592629-1 |
| -----  |                      |    |    |    |    |    |    |    |    |    |    |    |    |    |    |    |                    |                          |          | 1-592629-0 |
| M81714/17-D35  |                      |    |    |    |    |    |    |    |    |    |    |    |    |    |    |    |                    |                          |          | 592629-9   |
| -----  |                      |    |    |    |    |    |    |    |    |    |    |    |    |    |    |    |                    |                          |          | 592629-8   |
| M81714/17-D34  |                      |    |    |    |    |    |    |    |    |    |    |    |    |    |    |    |                    |                          |          | 592629-7   |
| -----  |                      |    |    |    |    |    |    |    |    |    |    |    |    |    |    |    |                    |                          |          | 592629-6   |
| M81714/17-D33  |                      |    |    |    |    |    |    |    |    |    |    |    |    |    |    |    |                    |                          |          | 592629-5   |
| -----  |                      |    |    |    |    |    |    |    |    |    |    |    |    |    |    |    |                    |                          |          | 592629-4   |
| M81714/17-D32  |                      |    |    |    |    |    |    |    |    |    |    |    |    |    |    |    |                    |                          |          | 592629-3   |
| -----  |                      |    |    |    |    |    |    |    |    |    |    |    |    |    |    |    |                    |                          |          | 592629-2   |
| M81714/17-D31  |                      |    |    |    |    |    |    |    |    |    |    |    |    |    |    |    |                    |                          |          | 592629-1   |
| MARKING<br> | 46                   | 45 | 44 | 43 | 42 | 40 | 39 | 38 | 37 | 36 | 35 | 34 | 33 | 32 | 31 | 30 | SEALING PLUG QTY 2 | CONTACTS QTY 22          | PART NO. |            |
|  | BUSSING ARRANGEMENTS |    |    |    |    |    |    |    |    |    |    |    |    |    |    |    |                    |                          |          |            |

|  |  |                            |   |               |
|--|--|----------------------------|---|---------------|
| THIS DRAWING IS A CONTROLLED DOCUMENT. |  | OWN<br>J. MECK<br>3-10-93  |  TE Connectivity |               |
| DIMENSIONS:<br>INCHES                  |  | CHK<br>R. RYAN<br>3-31-93  |   |               |
| TOLERANCES UNLESS OTHERWISE SPECIFIED: |  | APVD<br>R. RYAN<br>3-31-93 | NAME<br>-   |               |
| 0 PLC ± -                              |  | PRODUCT SPEC               | MODULE ASSY, FEED-BACK, SIZE 21, TJ   |               |
| 1 PLC ± -                              |  | APPLICATION SPEC           | -   |               |
| 2 PLC ± -                              |  | WEIGHT                     | SIZE  | CAGE CODE     |
| 3 PLC ± .005                           |  | 0                          | A2  | 00779         |
| 4 PLC ± -                              |  | FINISH                     | DRAWING NO  | RESTRICTED TO |
| ANGLES ± -                             |  | -                          | C=592629  | -             |
| MATERIAL                               |  | CUSTOMER DRAWING           | SCALE   | SHEET         |
| -                                      |  |                            | 2:1   | 2 OF 2        |
|  |  |                            | REV   | G             |