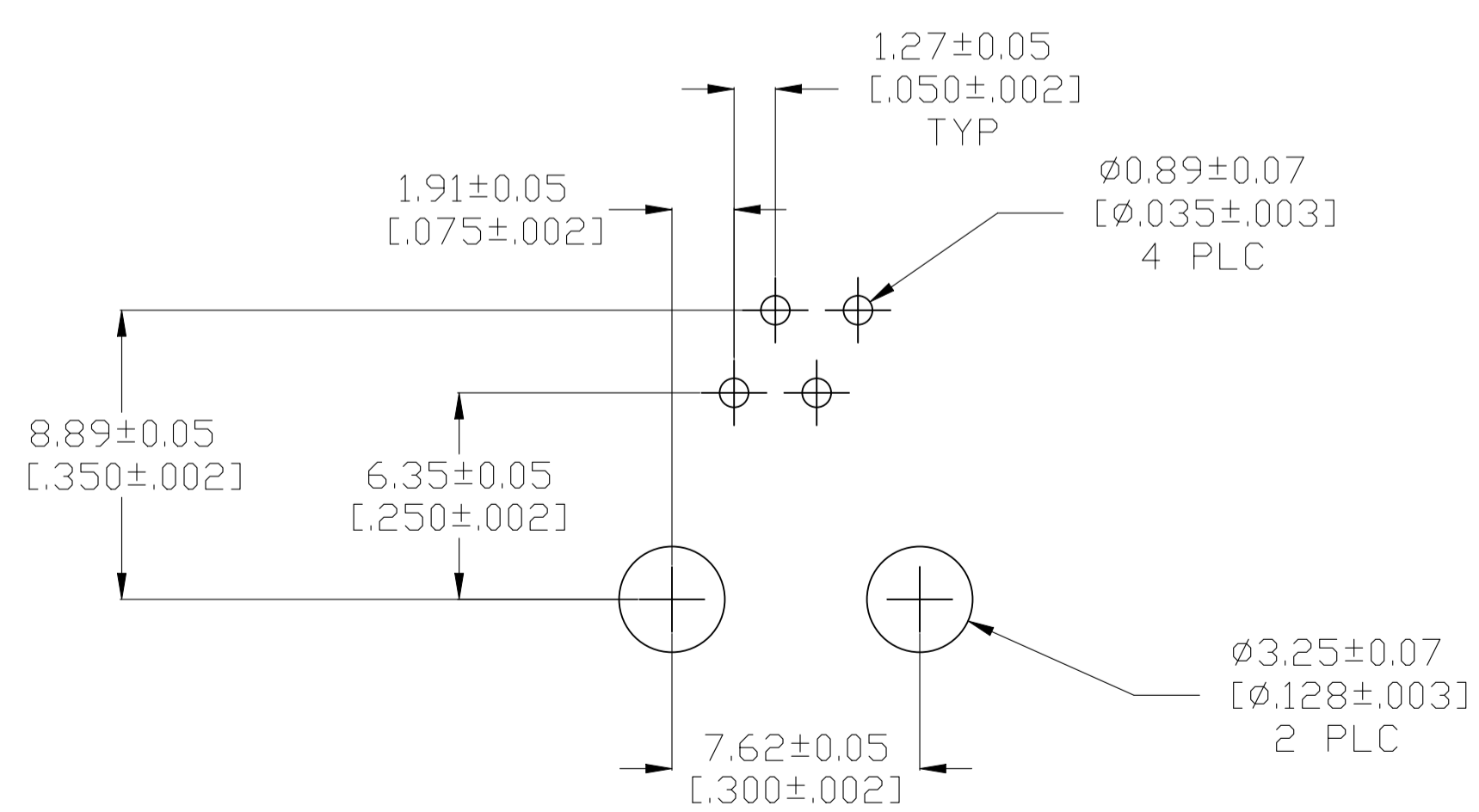
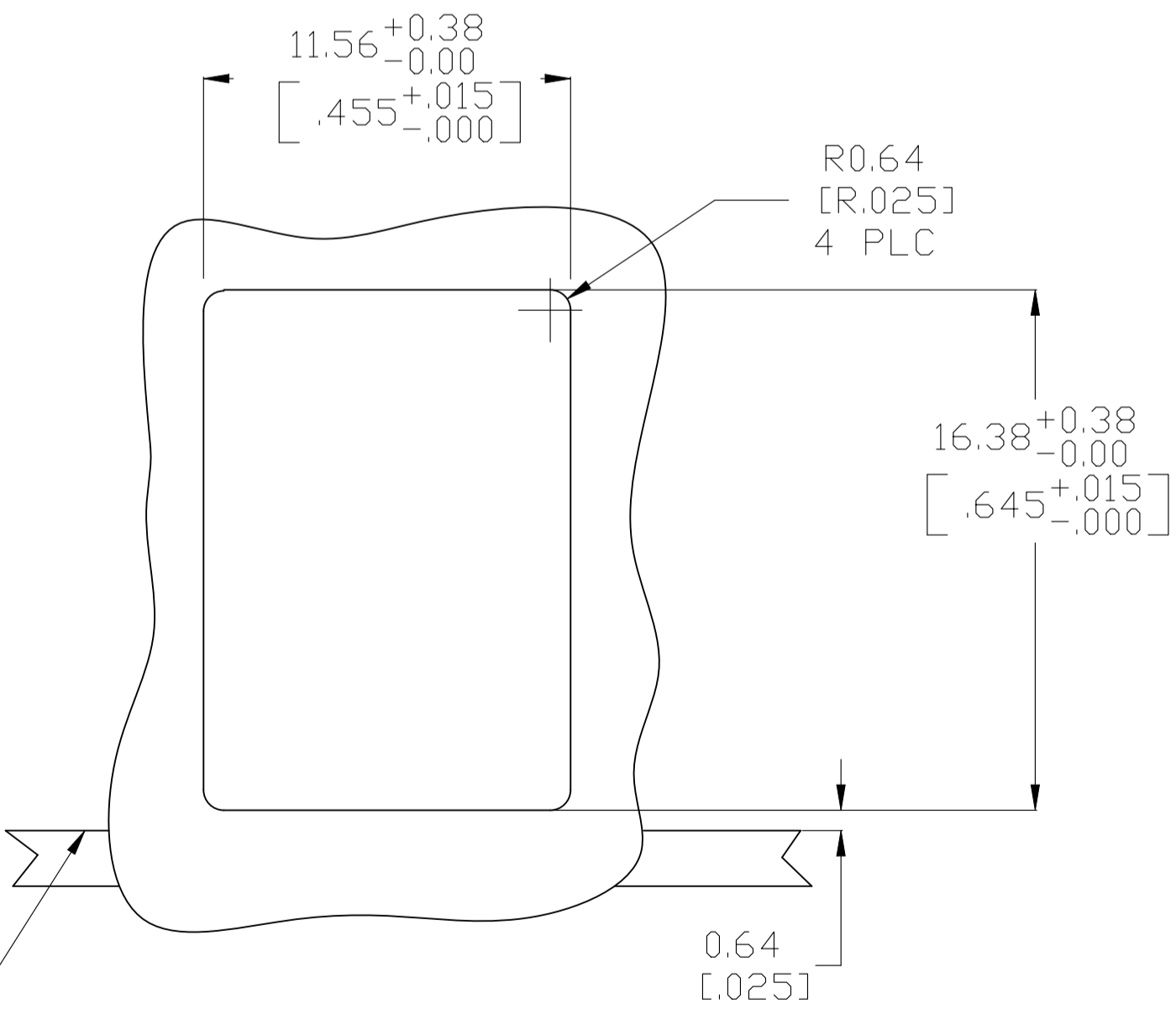
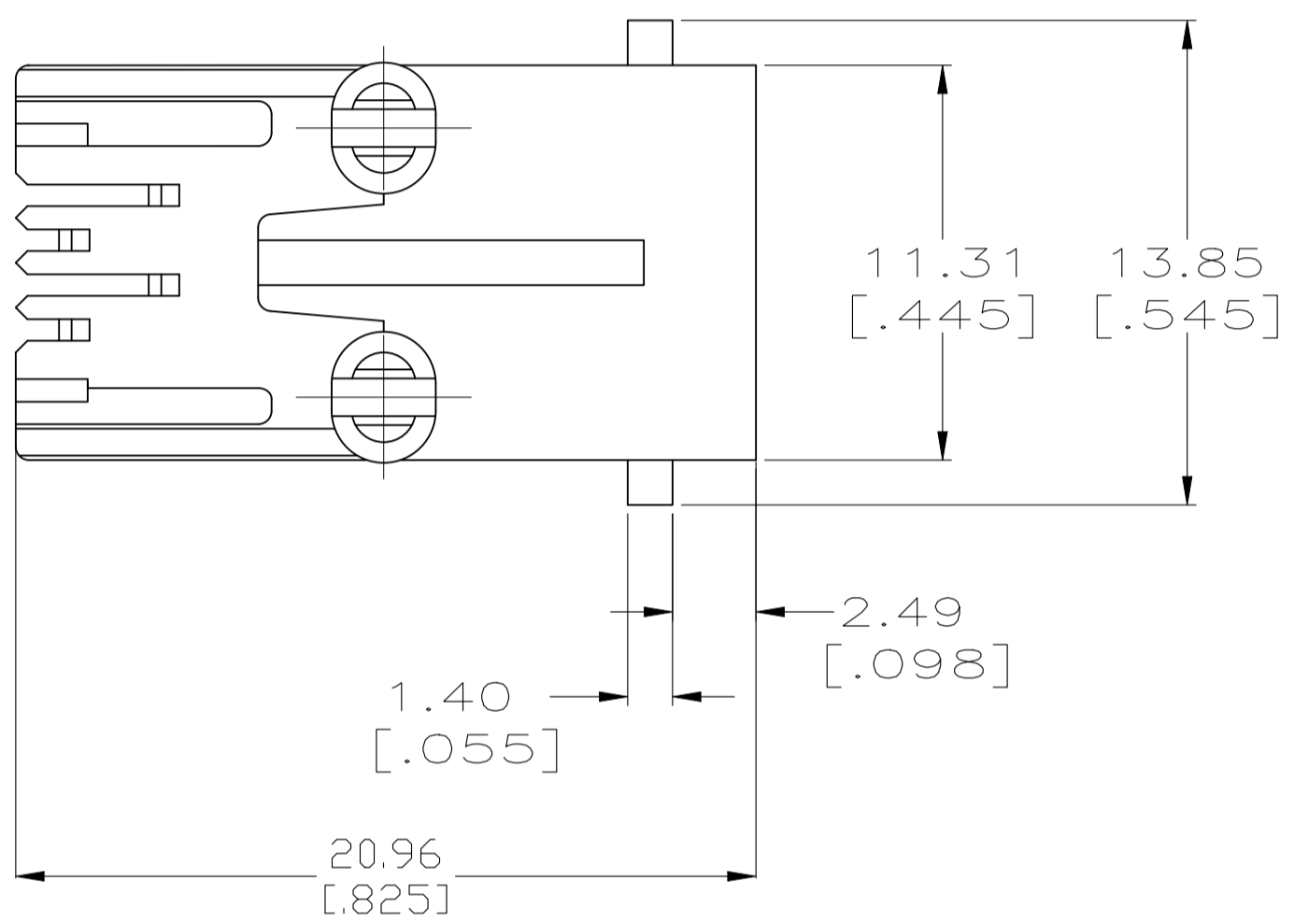
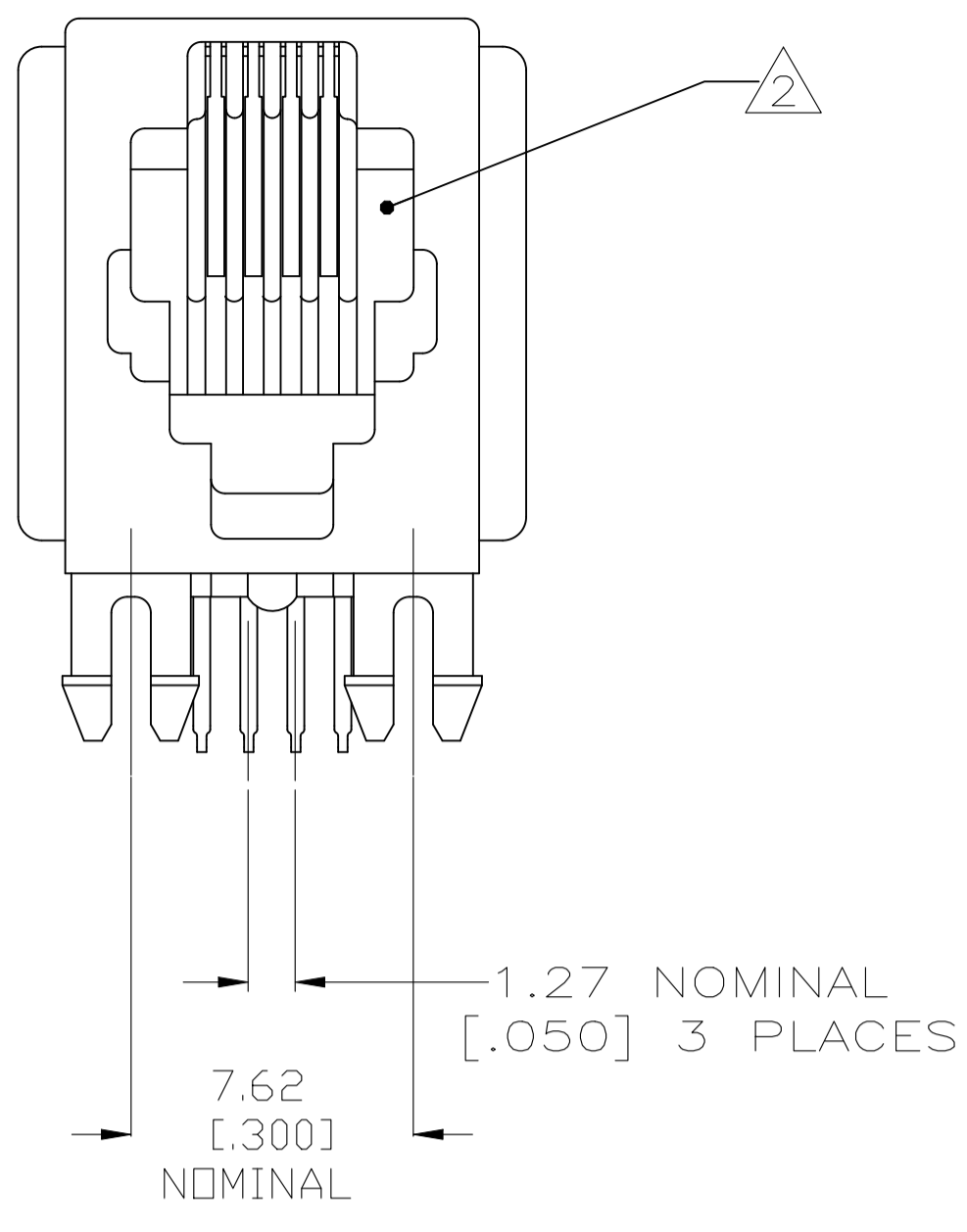
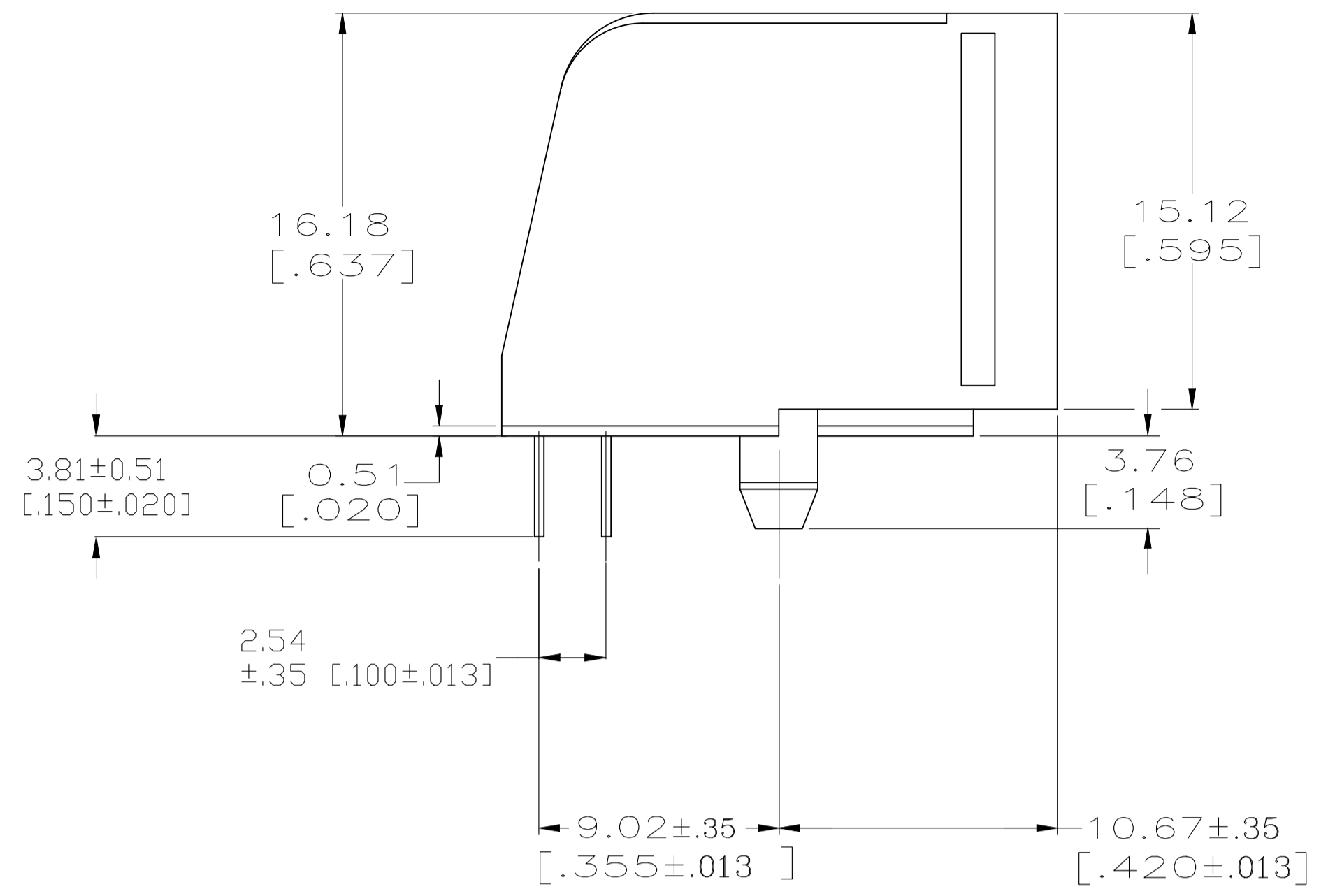


REVISIONS					
REV	DATE	DESCRIPTION	BY	CHK	APP'D
D3	17JUN2025	REVISED PER ECN-25-329249	TR	RK	



- MATERIAL:
HOUSING - POLYESTER, UL-94-VO,
TERMINAL - 0.36[.014] THICK PHOS WITH (SEE TABLE) MIN HARD GOLD IN AREA AND 3.81µm[.000150] MIN THIC AREA OVER 1.27µm[.000050] MIN TH
- CAVITY CONFORMS TO FCC RULES AN REGULATIONS PART 68 AND REA BU 345-81 PE 76 SPECIFICATION FOR I
- TELEPHONE HARDWARE.
DIMENSIONS ARE MAXIMUM UNLESS C
- 0.15µm[.000006] GOLD PLATED PARTS THE MINIMUM GOLD THICKNESS REQUI FCC SPECIFICATION, PART 68. PARTS TESTED TO THE DURABILITY REQUIREM TE CONNECTIVITY PRODUCT SPEC 108

OBSELETE	4 0.15µm[.000006]	2-5520249-2
	1.27µm[.000050]	5520249-2
	GOLD THICKNESS	PART NUMBER

THIS DRAWING IS A CONTROLLED DOCUMENT. DIMENSIONING AND TOLERANCING PER ASME Y14.5M-2009		DWG: J. ALCORTA - 17JUN2025	CHK: S. FLICKINGER - 17JUN2025	APP'D: S. FLICKINGER - 17JUN2025	NAME: S. FLICKINGER
DIMENSIONS: mm [INCHES]		TOLERANCES UNLESS OTHERWISE SPECIFIED:		PRODUCT SPEC: 108-1163	
0. PLC ± -		1. PLC ± -		APPLICATION SPEC: 114-2048	
1. PLC ± -		2. PLC ± 0.1[.011]		SIZE: A1	
2. PLC ± 0.15[.005]		3. PLC ± -		CAGE CODE: 00779	
3. PLC ± -		4. PLC ± -		DRAWING NO: 5520249	
ANGLES ± -		FINISH: SEE NOTE 1		RESTRICTED TO: -	
MATERIAL: SEE NOTE 1		WEIGHT: 0.000000		SCALE: 5:1	
		CUSTOMER DRAWING		SHEET 1 OF 1	
				REV D3	