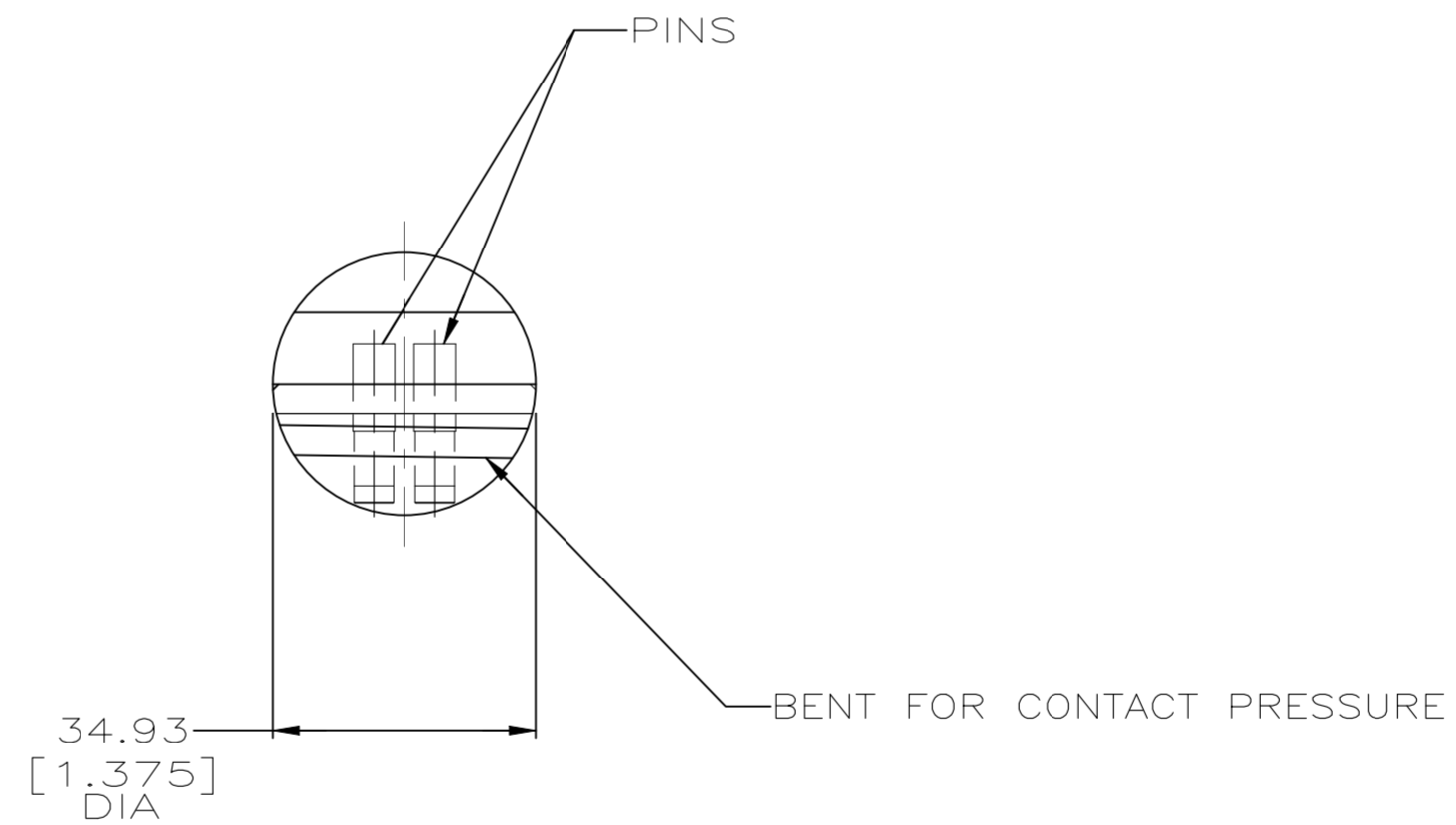
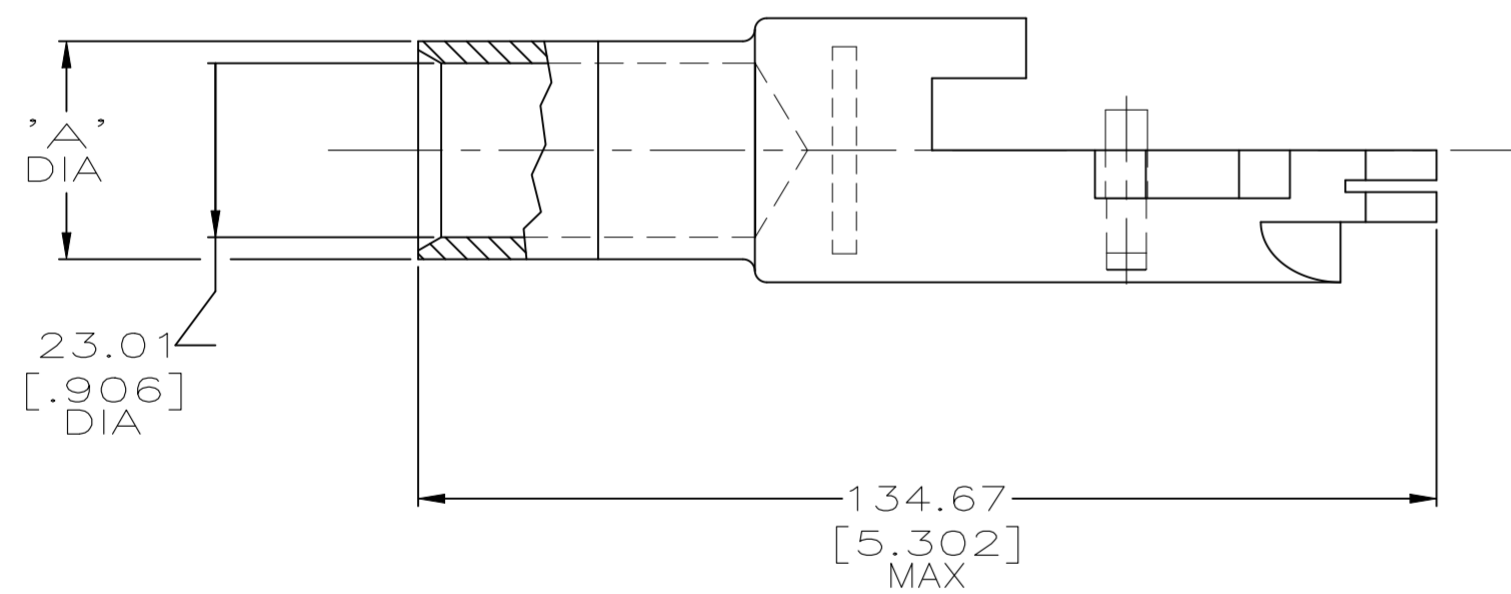
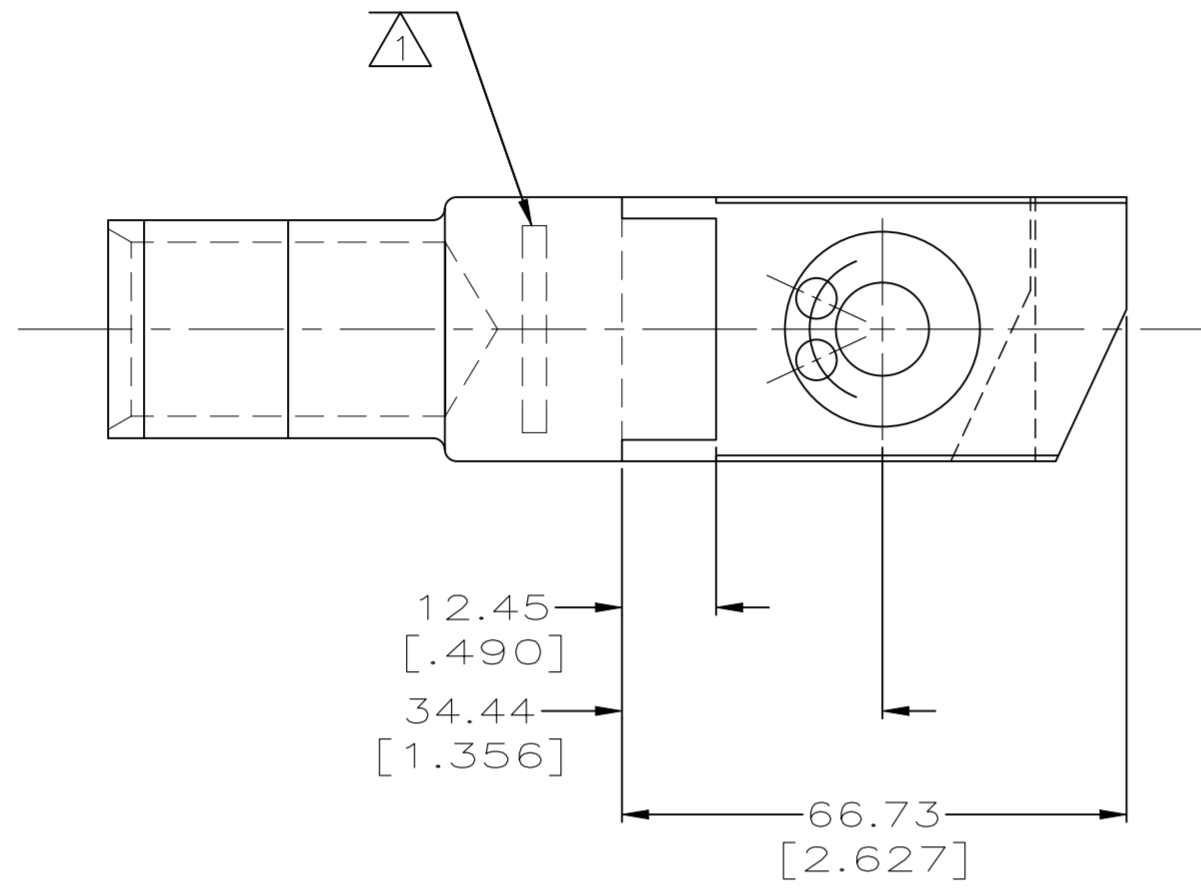


REVISIONS					
P	LTR	DESCRIPTION	DATE	DWN	APVD
D1		ECR-25-236038	21JUN2025	SY	DR

① STAMP AMP 400 MCM N 1100/24 APPROX AS SHOWN



OBSOLETE	30.48 [1.200]	53434-2
	28.83 [1.135]	53434-1
	'A'	AMP PART NUMBER

THIS DRAWING IS A CONTROLLED DOCUMENT.		DWN DK_SCHRUM 14JUN96																		
DIMENSIONS: mm [INCHES]		CHK WJ_VOCKROTH 25JUN96																		
TOLERANCES UNLESS OTHERWISE SPECIFIED:		APVD JL_MECKLEY 25JUN96																		
<table border="1"> <tr><td>0 PLC</td><td>±</td><td>-</td></tr> <tr><td>1 PLC</td><td>±</td><td>-</td></tr> <tr><td>2 PLC</td><td>±</td><td>0.20[.008]</td></tr> <tr><td>3 PLC</td><td>±</td><td>-</td></tr> <tr><td>4 PLC</td><td>±</td><td>-</td></tr> <tr><td>ANGLES</td><td>±</td><td>-</td></tr> </table>		0 PLC			±	-	1 PLC	±	-	2 PLC	±	0.20[.008]	3 PLC	±	-	4 PLC	±	-	ANGLES	±
0 PLC	±	-																		
1 PLC	±	-																		
2 PLC	±	0.20[.008]																		
3 PLC	±	-																		
4 PLC	±	-																		
ANGLES	±	-																		
MATERIAL BODY & PINS BRASS PER QQ-B-626	FINISH SILVER PL 0.00127[.000050] MIN THK PER QQ-S-365	PRODUCT SPEC APPLICATION SPEC	SIZE A2	CAGE CODE 00779	DRAWING NO C=53434	RESTRICTED TO														
CUSTOMER DRAWING			SCALE 1:1	SHEET 1 of 1	REV D1															

53434

A