
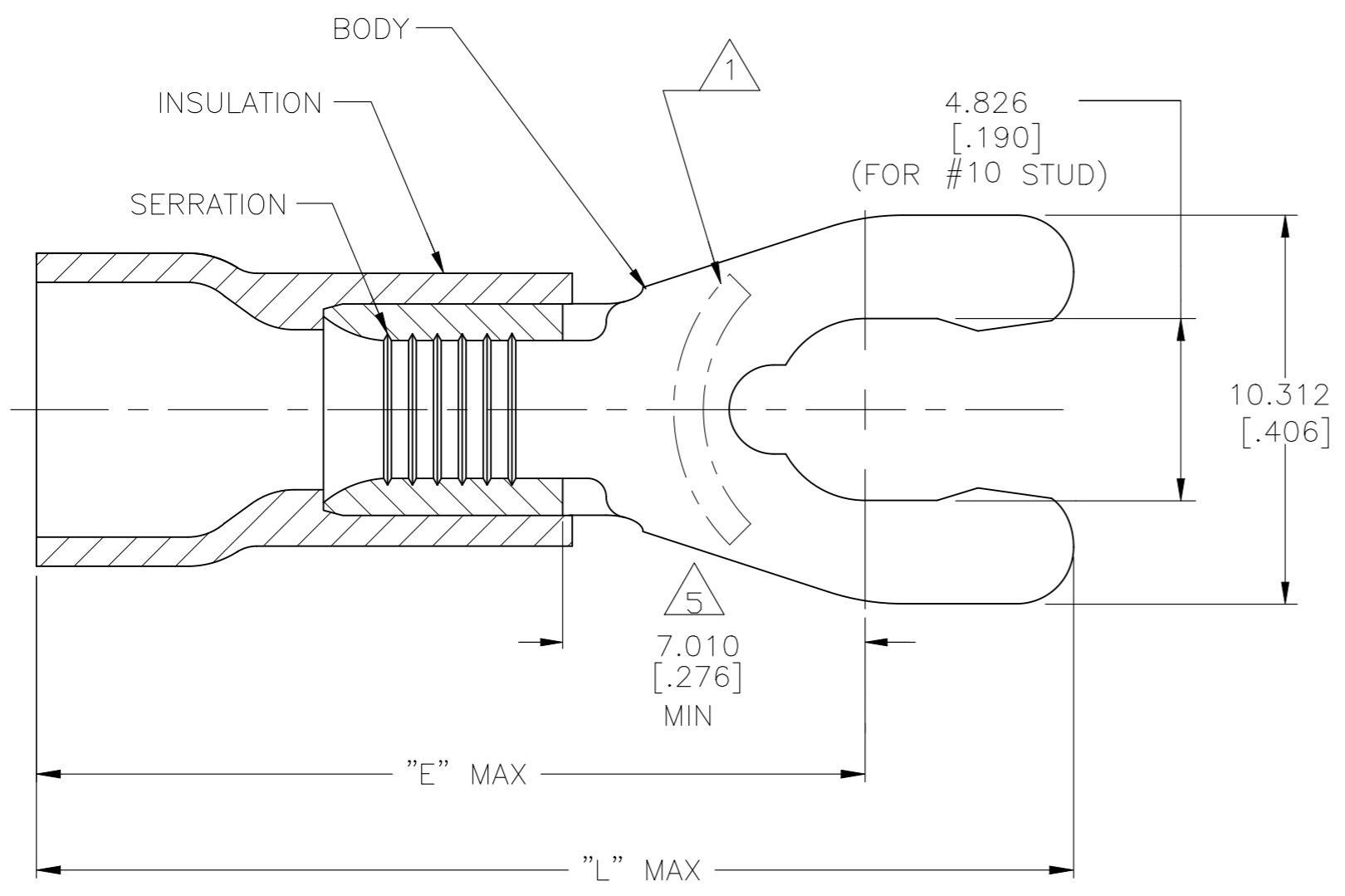


© - TE Connectivity. All Rights Reserved.


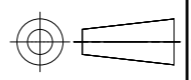
REVISIONS				
P	LTR	DESCRIPTION	DATE	APVD
	U2	REVISED PER ECR-25-255998	11SEP2025	SA DSC

AMP WIRE RANGE	 Listed FILE E13288
12-10 AWG SOLID OR STRANDED	12-10 AWG STRANDED

- ① STAMP 10S AMP 12-10* APPROX AS SHOWN
- ② SEE TABLE FOR WIRE INSUL DIA
- ③ BODY MATERIAL THK: 1.016±0.051[.040±.002]
- ④ MATERIAL: BODY - BRASS PER ASTM B36
INSULATION - PVC
- ⑤ APPLIES FROM EDGE OF METAL WIRE
BARREL TO CENTER OF STUD HOLE
- ⑥ FINISH:
BODY - TIN PLATE 0.00254[.000100] MIN
EXT THK PER ASTM B545
INSULATION COLOR - YELLOW



27.940 [1.100]	22.276 [.877]	3.810-6.350 [.150-.250]	1 KIT = 100 PIECES	LOOSE PIECE	6-52963-0
29.439 [1.159]	23.774 [.936]	6.350-7.620 [.250-.300]	1500	ON TAPE, REEL	52963-5
29.439 [1.159]	23.774 [.936]	6.350-7.620 [.250-.300]	500	LOOSE PIECE	52963-4
27.940 [1.100]	22.276 [.877]	3.810-6.350 [.150-.250]	500	LOOSE PIECE	52963-2
27.940 [1.100]	22.276 [.877]	2.667-5.080 [.105-.200]	2500	ON TAPE, REEL	52963-1
27.940 [1.100]	22.276 [.877]	2.667-5.080 [.105-.200]	500	LOOSE PIECE	52963
L	E	WIRE INSUL DIA	QTY	PACKAGE TYPE	PART NO

AMP INCORPORATED CUSTOMER SERVICE SYSTEMS		MAX RECOMMENDED OPERATING TEMPERATURE: 105°C [221°F]	THIS DRAWING IS A CONTROLLED DOCUMENT.		DWN L OLMEDA 26JUN95	 TE Connectivity			
FOR ADDITIONAL PRODUCT INFORMATION OR COPIES OF DRAWINGS AND TECHNICAL DOCUMENTS	PRODUCT INFORMATION CENTER 1-800-522-6752	VOLTAGE RATING: 600V MAX (1000V FIXTURE OR SIGN)	DIMENSIONS: mm [INCHES]	TOLERANCES UNLESS OTHERWISE SPECIFIED:	CHK M ELLIS 26JUN95				NAME
FOR APPLICATION TOOLING INFORMATION	TOOLING ASSISTANCE CENTER 1-800-722-1111	CIRCULAR MIL AREA: 2.62-6.64mm² [5,180-13,100] SOLID OR STRANDED		0 PLC ± - 1 PLC ± - 2 PLC ± - 3 PLC ± 0.127[.005] 4 PLC ± - ANGLES ± -	APVD G NGO 26JUN95	TERMINAL, SPRING SPADE, SHORT, PLASTI-GRIP, WIRE SIZE: 12-10 AWG			
FOR ORDER ENTRY	1-800-526-5142	THIS DRAWING IS A CONTROLLED DOCUMENT FOR AMP INCORPORATED. IT IS SUBJECT TO CHANGE AND THE CONTROLLING ENGINEERING ORGANIZATION SHOULD BE CONTACTED FOR THE LATEST REVISION.	MATERIAL ④	FINISH ⑥	PRODUCT SPEC UL 486A-B	SIZE	CAGE CODE	DRAWING NO	RESTRICTED TO
					APPLICATION SPEC 114-2161	A3	00779	C-52963	-
					WEIGHT	CUSTOMER DRAWING		SCALE 6:1	SHEET 1 OF 1
								REV U2	