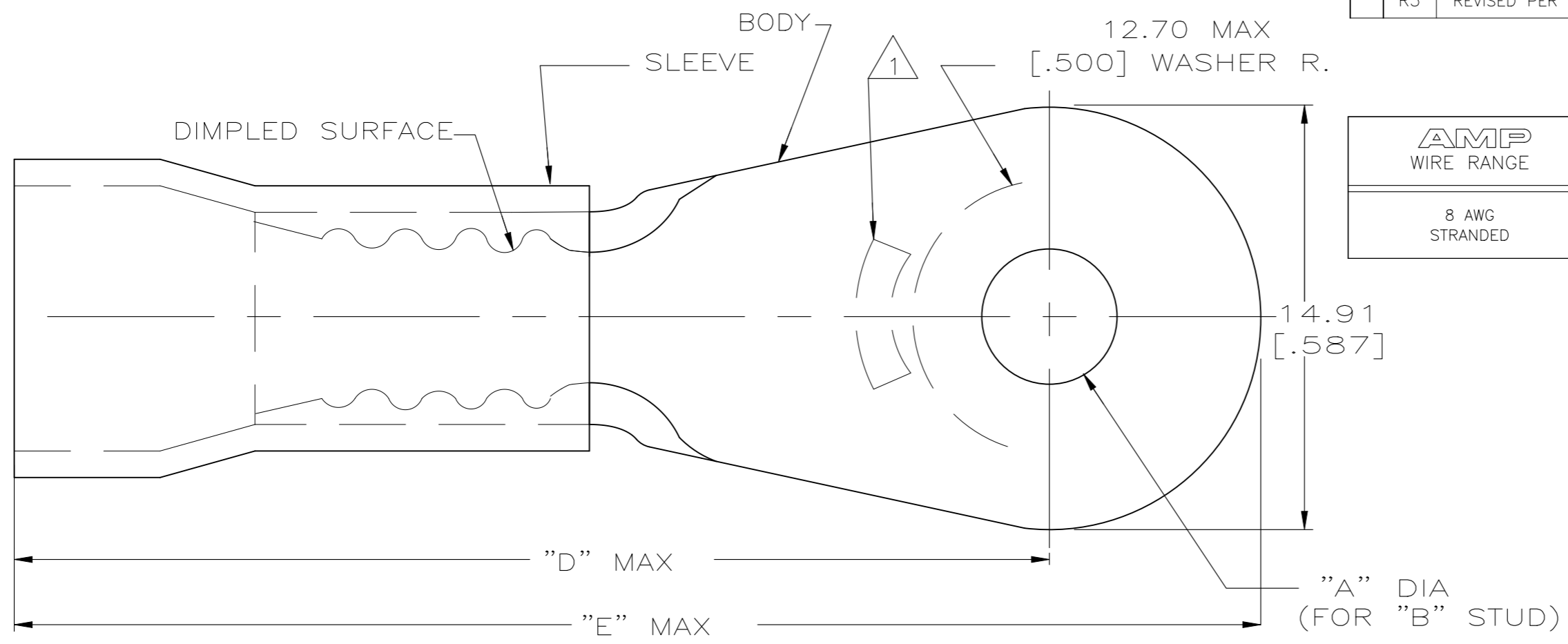


© - TE Connectivity. All Rights Reserved.

REVISIONS				
P	LTR	DESCRIPTION	DATE	APVD
	R5	REVISED PER ECR-25-255998	12SEP2025	SA DSC



AMP WIRE RANGE	RW FILE E13288	LR7189 Certified
8 AWG STRANDED	8 AWG STRANDED	8 AWG STRANDED

- 1 STAMP AMP 8* LOCATE APPROX AS SHOWN
- 2 TONGUE MATERIAL THK 1.02±0.08 [.040±.003]
- 3 SEE TABLE FOR WIRE INSULATION DIA MAX
- 4 NOTE DELETED
- 5 TAPE ITEMS ARE ON 30.48 [1.200] CENTERS
- 6 NOTE DELETED
- 7 NOTE DELETED

"E"	"D"	WIRE INSULATION DIA	"B"	"A"	QTY	PACKAGE TYPE	PART NO
43.08 [1.696]	35.56 [1.400]	9.14 [.360]	3/8 [.390±.005]	9.91±0.13 [.390±.005]	1 KIT = 50 PIECES	LOOSE PC	6-52291-1
			5/16 [.328±.005]	8.33±0.13 [.328±.005]	1 KIT = 50 PIECES		6-52291-0
43.08 [1.696]	35.56 [1.400]	9.14 [.360]	3/8 [.390±.005]	9.91±0.13 [.390±.005]	500	ON TAPE	52291-5
			5/16 [.328±.005]	8.33±0.13 [.328±.005]			52291-4
43.08 [1.696]	35.56 [1.400]	9.14 [.360]	3/8 [.390±.005]	9.91±0.13 [.390±.005]	100	LOOSE PC	52291-1
			5/16 [.328±.005]	8.33±0.13 [.328±.005]			52291

AMP INCORPORATED
CUSTOMER SERVICE SYSTEMS

FOR ADDITIONAL PRODUCT INFORMATION OR COPIES OF DRAWINGS AND TECHNICAL DOCUMENTS: PRODUCT INFORMATION CENTER 1-800-522-6752

FOR APPLICATION TOOLING ASSISTANCE CENTER: TOOLING ASSISTANCE CENTER 1-800-722-1111

FOR ORDER ENTRY: 1-800-526-5142

MAX RECOMMENDED OPERATING TEMPERATURE: 105° C

VOLTAGE RATING: 600 V MAX

CIRCULAR MIL AREA: 6.64-10.54mm² [13,100-20,800] STRANDED

THIS DRAWING IS A CONTROLLED DOCUMENT FOR AMP INCORPORATED. IT IS SUBJECT TO CHANGE AND THE CONTROLLING ENGINEERING ORGANIZATION SHOULD BE CONTACTED FOR THE LATEST REVISION.

THIS DRAWING IS A CONTROLLED DOCUMENT.

DIMENSIONS: mm [INCHES]

TOLERANCES UNLESS OTHERWISE SPECIFIED:

0 PLC	± -
1 PLC	± -
2 PLC	± 0.20 [.008]
3 PLC	± -
4 PLC	± -
ANGLES	± -

MATERIAL: COPPER PER ASTM B-152 PVC, COLOR: RED

FINISH: TIN PLATE PER ASTM-B545

APVD: B. BARE

PRODUCT SPEC: NOT AVAILABLE

APPLICATION SPEC: 114-2161

WEIGHT: -

STE TE Connectivity

NAME: TERMINAL, RING TONGUE, PLASTI-GRIP, WIRE SIZE: 8 AWG

SIZE: A3 CAGE CODE: 00779 DRAWING NO: C-52291 RESTRICTED TO: -

CUSTOMER DRAWING SCALE: 4:1 SHEET: 1 OF 1 REV: R5