

4

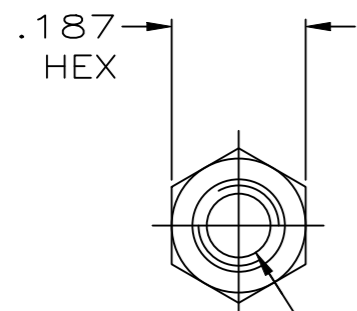
3

2

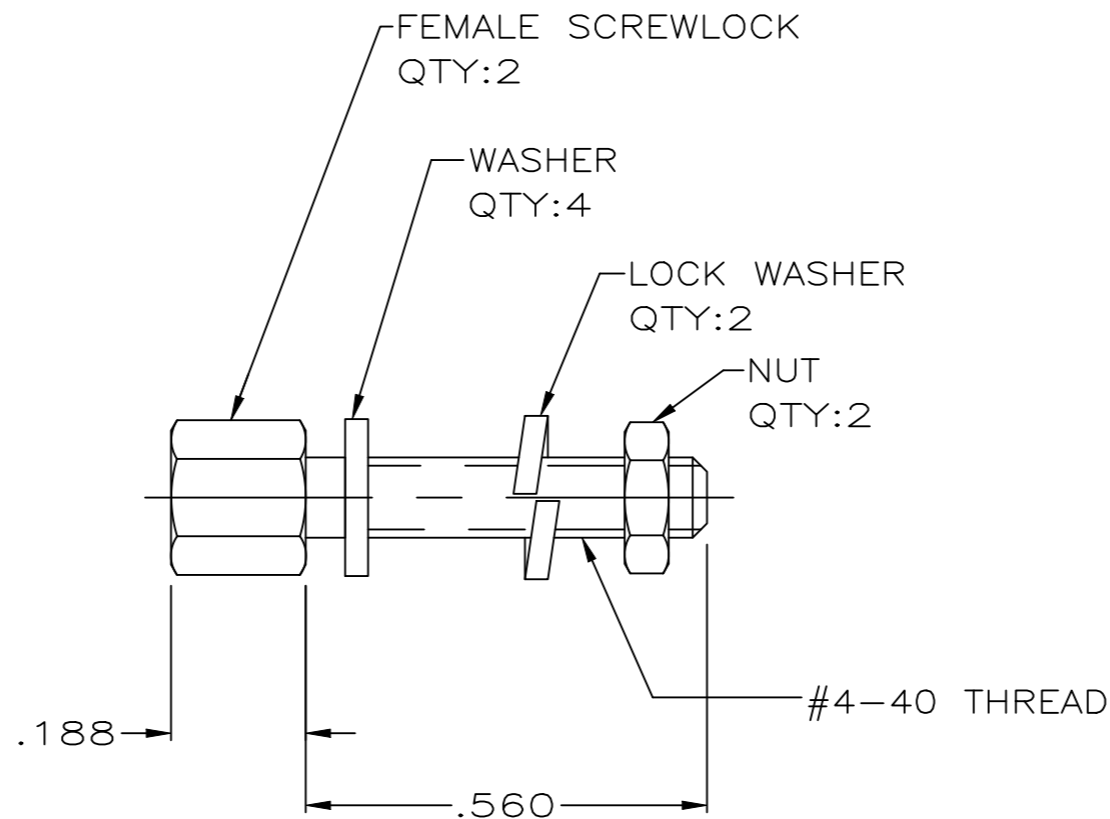
1

© - TE Connectivity. All Rights Reserved.

REVISIONS					
P	LTR	DESCRIPTION	DATE	DWN	APVD
P1		REVISED AS PER ECR-25-235176	16SEP2025	PK	SKN



#4-40 THREAD  
.120 MIN DEPTH



FEMALE SCREWLOCK  
QTY:2

WASHER  
QTY:4

LOCK WASHER  
QTY:2

NUT  
QTY:2

#4-40 THREAD

.188

.560

- ① ZINC PLATED .000200-.000400 THICK, YELLOW CHROMATE COATING.
- ② ZINC PLATED .000200-.000400 THICK, CLEAR CHROMATE COATING.
- 3. PARTS PACKAGED UNASSEMBLED.
- ④ PARTS PACKAGED AS A UNIT KIT.
- ⑤ PARTS INDIVIDUALLY BULK PACKED & SHIPPED AS A UNIT PACKAGE.

OBSOLETE	⑤	②	5207719-4
	④	②	5207719-3
	⑤	①	5207719-2
	④	①	5207719-1
	PACKAGING	FINISH	PART NUMBER

THIS DRAWING IS A CONTROLLED DOCUMENT.		DWN S.WAITMAN 28JUN05	<b>TE</b> TE Connectivity													
		CHK C.ROHDE 28JUN05														
DIMENSIONS: INCHES		APVD M.WALMSLEY 28JUN05	NAME SCREWLOCK FEMALE ASSEMBLY, AMPLIMITE													
TOLERANCES UNLESS OTHERWISE SPECIFIED:		PRODUCT SPEC	RESTRICTED TO													
<table border="0"> <tr><td>0 PLC</td><td>± -</td></tr> <tr><td>1 PLC</td><td>± -</td></tr> <tr><td>2 PLC</td><td>± -</td></tr> <tr><td>3 PLC</td><td>± .005</td></tr> <tr><td>4 PLC</td><td>± -</td></tr> <tr><td>ANGLES</td><td>± -</td></tr> </table>		0 PLC	± -	1 PLC	± -	2 PLC	± -	3 PLC	± .005	4 PLC	± -	ANGLES	± -	APPLICATION SPEC	SIZE CAGE CODE DRAWING NO	
0 PLC	± -															
1 PLC	± -															
2 PLC	± -															
3 PLC	± .005															
4 PLC	± -															
ANGLES	± -															
MATERIAL COLD ROLLED STEEL PER ASTM A108		FINISH SEE TABLE	WEIGHT 0.000000	A3 00779 C=5207719												
		CUSTOMER DRAWING		SCALE 4:1 SHEET 1 OF 1 REV P1												