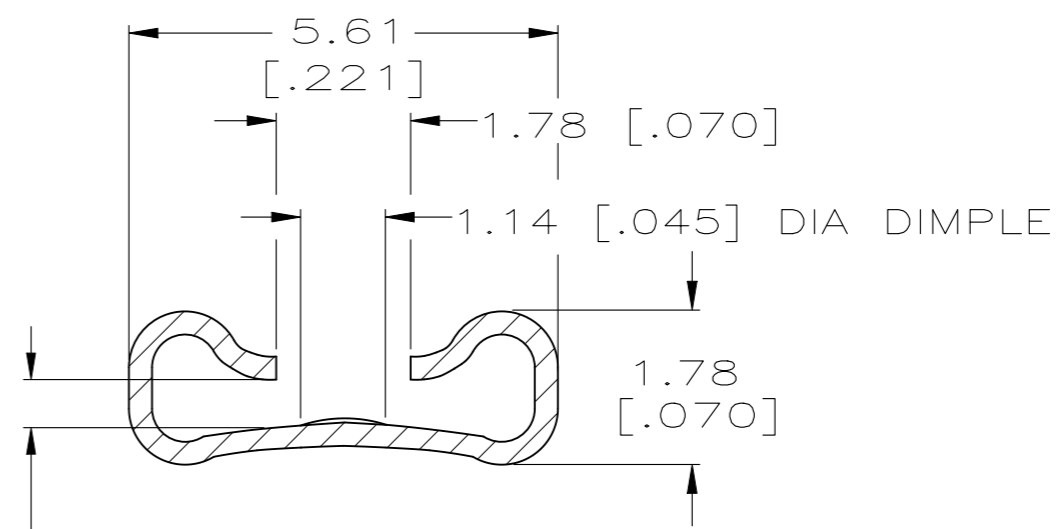
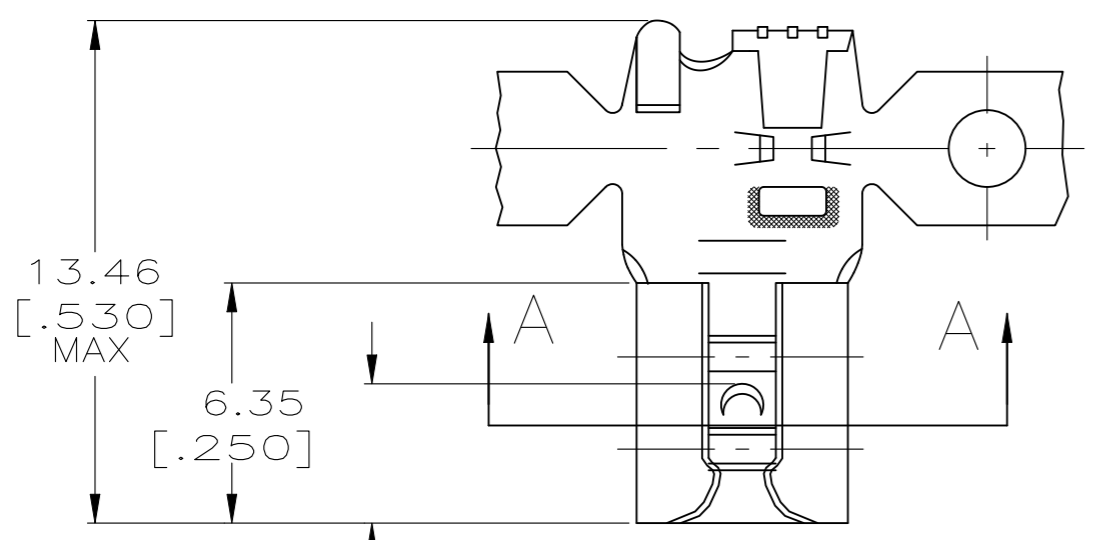


THIS DRAWING IS UNPUBLISHED. RELEASED FOR PUBLICATION  
 © COPYRIGHT - By - ALL RIGHTS RESERVED.

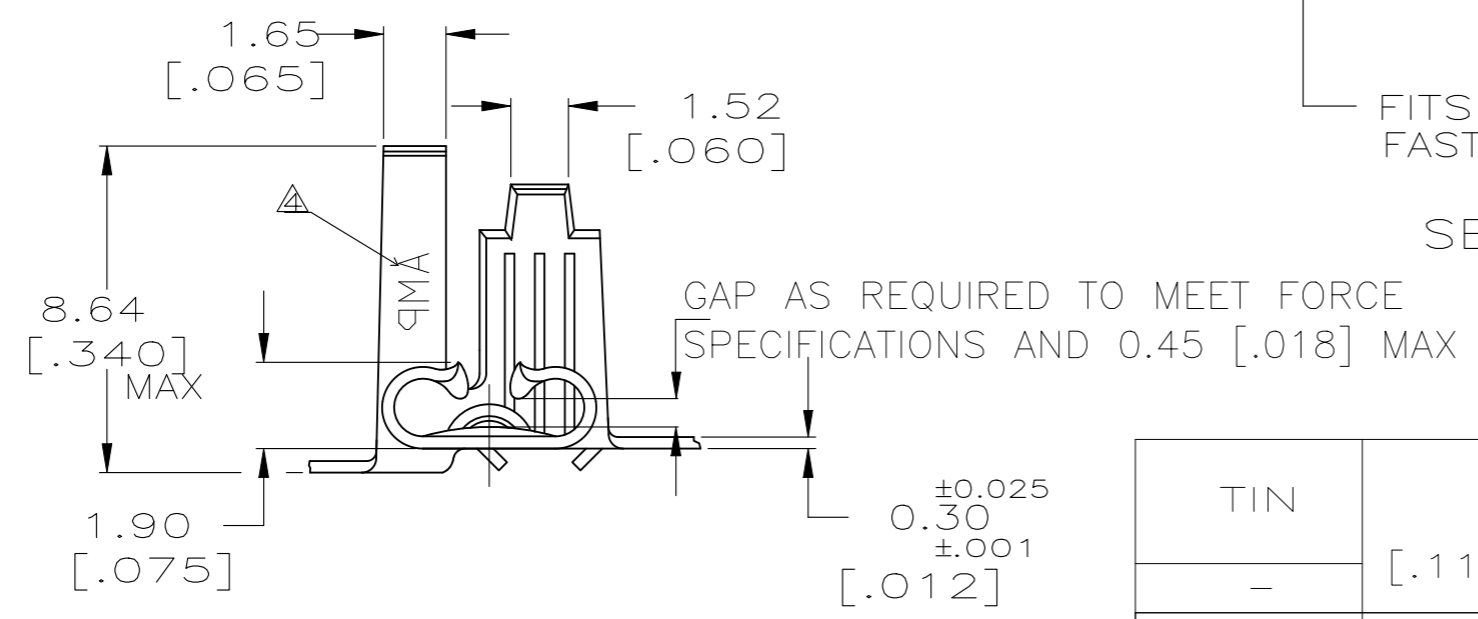
REVISIONS				
P	LTR	DESCRIPTION	DATE	APVD
H4		REVISED PER ECR-26-267985	24MAR2026	AG DL

- 1 CONTINUOUS STRIP ON REELS.
- △ HIGH 1ST/6TH RETENTION FORCE
- △ PART OBSOLETED
- △ AMP OR TE LOGO



FITS 4.75 [.187] x 0.5 [.020] FASTON TABS

SECTION A-A  
SCALE 10:1



TIN	2.79-4.32	0.5-1.3mm <sup>2</sup>	0.53-0.48	△1-42800-2
-	[.110-.170] DIA	[20-16]AWG	[.021-.019]	42800-2
FINISH	INSULATION RANGE	WIRE SIZE	MATING TAB THK	42800-1

THIS DRAWING IS A CONTROLLED DOCUMENT.		DWN JR RUTH 11/1/91	<b>STE</b> TE Connectivity	
DIMENSIONS: mm [INCHES]		CHK MS FEHER 11/1/91		
TOLERANCES UNLESS OTHERWISE SPECIFIED:		APVD C MEYERS 11/1/91	NAME RECEPTACLE, FASTON, 4.75 [.187] SERIES	
0 PLC ± -		PRODUCT SPEC -	SIZE CAGE CODE DRAWING NO RESTRICTED TO	
1 PLC ± -		APPLICATION SPEC -	A3 00779 C-42800	
2 PLC ± 0.25 [.010]		WEIGHT 0.000000	SCALE 5:1 SHEET 1 OF 1 REV H4	
3 PLC ± -		CUSTOMER DRAWING		
4 PLC ± -				
ANGLES ± -				
FINISH SEE TABLE				
MATERIAL BRASS				

