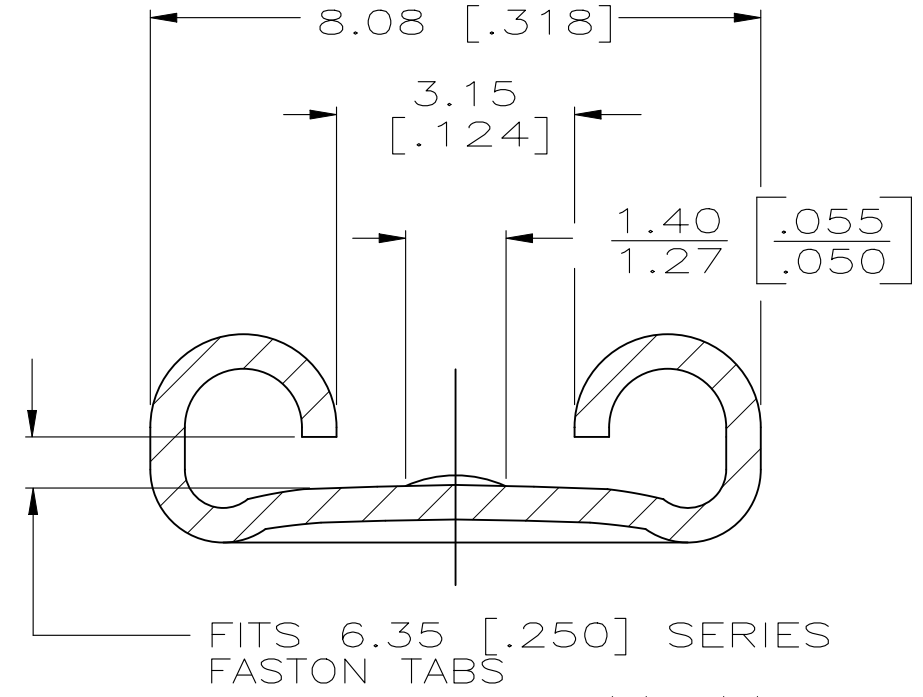
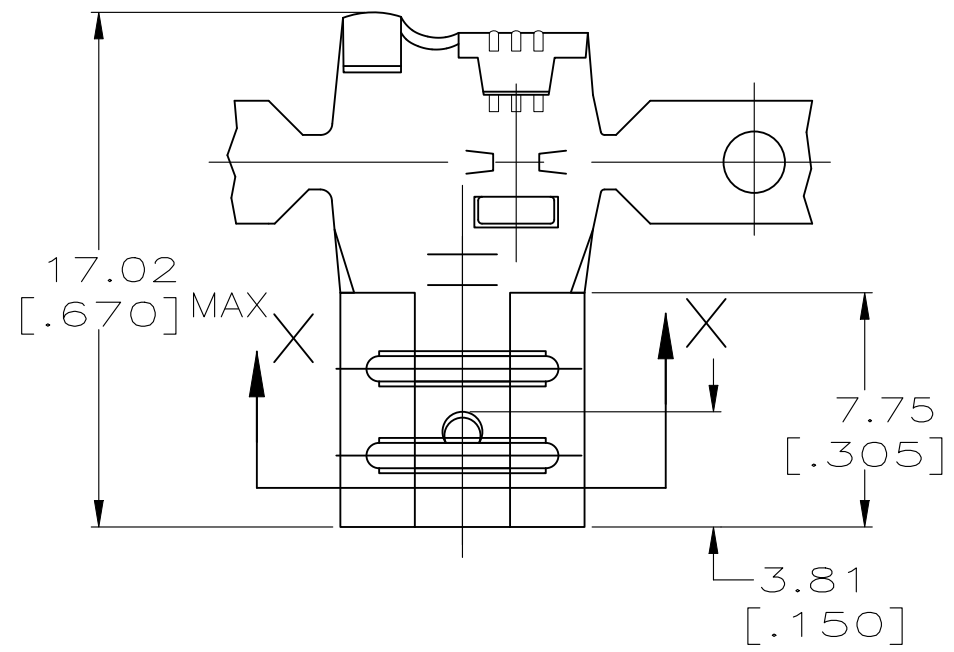


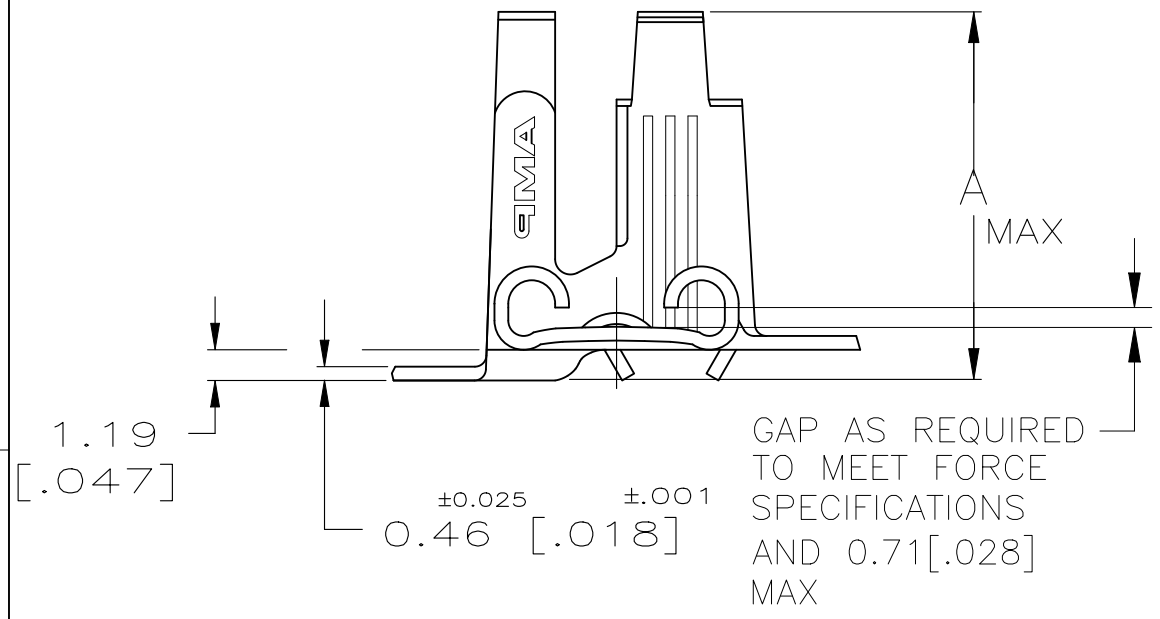
THIS DRAWING IS UNPUBLISHED. RELEASED FOR PUBLICATION  
 © COPYRIGHT - By - ALL RIGHTS RESERVED.

REVISIONS					
P	LTR	DESCRIPTION	DATE	DWN	APVD
AD3		REVISED PER ECR-26-270082	13FEB2026	AG	DH
AD2		REVISED PER ECR-20-009164	14JUL2020	MK	DH



SECTION X-X  
SCALE 10:1

- 1 CONTINUOUS STRIP ON REELS.
- 2 FOREIGN PRODUCTION ONLY



DIM A	INSULATION RANGE	WIRE RANGE	MATING TAB THK	FINISH	MATERIAL	PART NO
12.19 [.480]		3.0-5.0mm <sup>2</sup> [12-10] AWG 6000-10600 CMA		NICKEL	T2 STEEL	42563-9
				TIN	T3 PHOS BRZ	42563-8
				SILVER	T3 PHOS BRZ	42563-6
				SILVER	T3 PHOS BRZ	<del>42563-7</del>
				TIN	T3 PHOS BRZ	<del>42563-5</del>
				-	T3 PHOS BRZ	<del>42563-4</del>
				SILVER	#4H BRASS	<del>42563-3</del>
				TIN	#4H BRASS	42563-2
				-	#4H BRASS	<del>42563-1</del>
11.18 [.440]	2.79-5.33 [.110-.210] DIA	3.0-5.0mm <sup>2</sup> [12-10] AWG 9600 MAX CMA	0.84-0.76 [.033-.030]			

THIS DRAWING IS A CONTROLLED DOCUMENT.

DWN	JR RUTH	2/14/91	<b>STE</b> TE Connectivity Ltd.
CHK	P FORTNEY	2/14/91	
APVD	C MEYERS	2/14/91	
PRODUCT SPEC	D REINER	2/14/91	
APPLICATION SPEC			NAME
			RECEPTACLE, FASTON, FLAG, 6.35 [.250] SERIES
MATERIAL	SEE TABLE	FINISH	SEE TABLE
WEIGHT	-	SIZE	A3
CUSTOMER DRAWING		CAGE CODE	00779
		DRAWING NO	C-42563
		RESTRICTED TO	-
		SCALE	4:1
		SHEET	1 OF 1
		REV	AD3