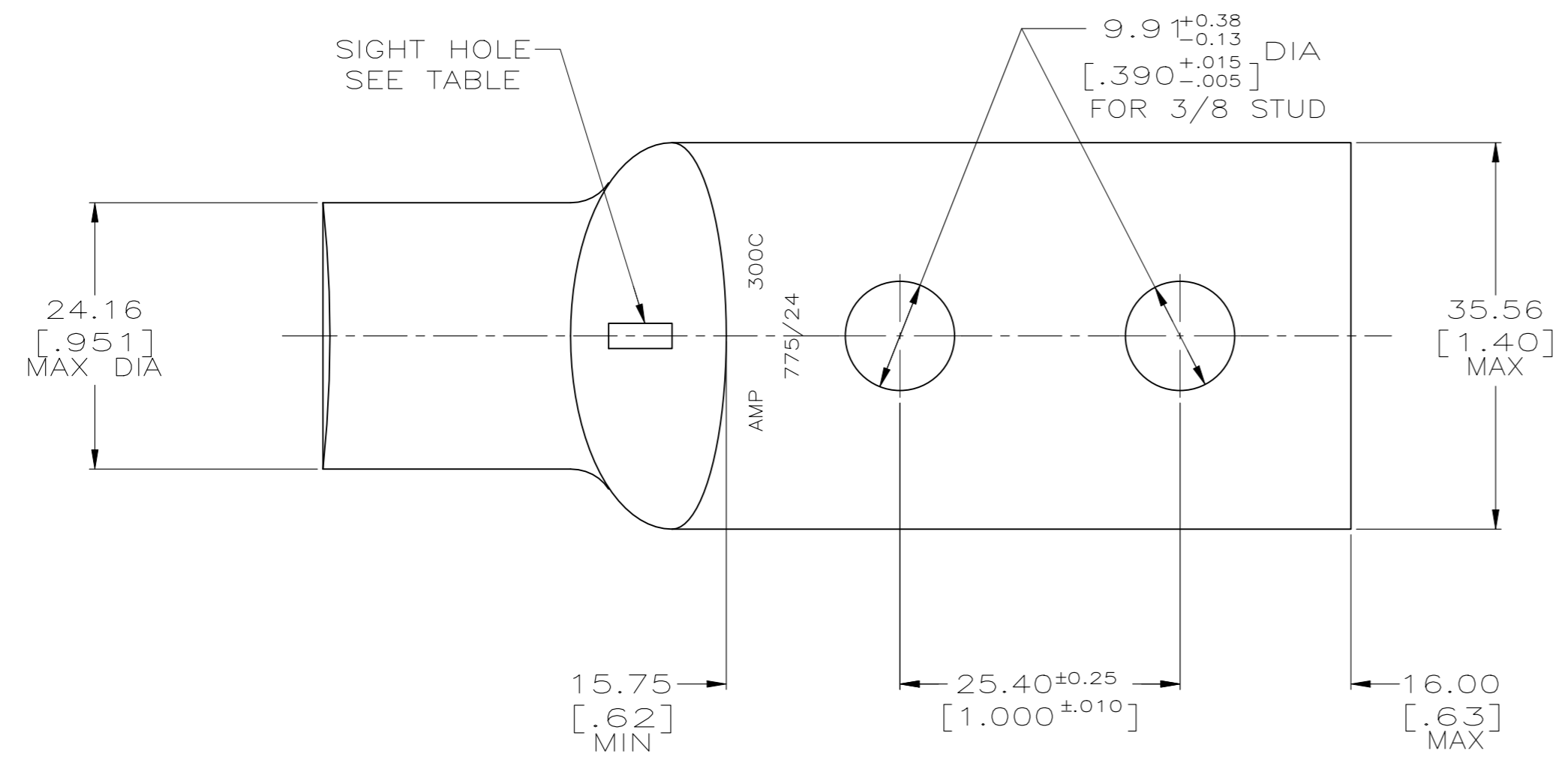
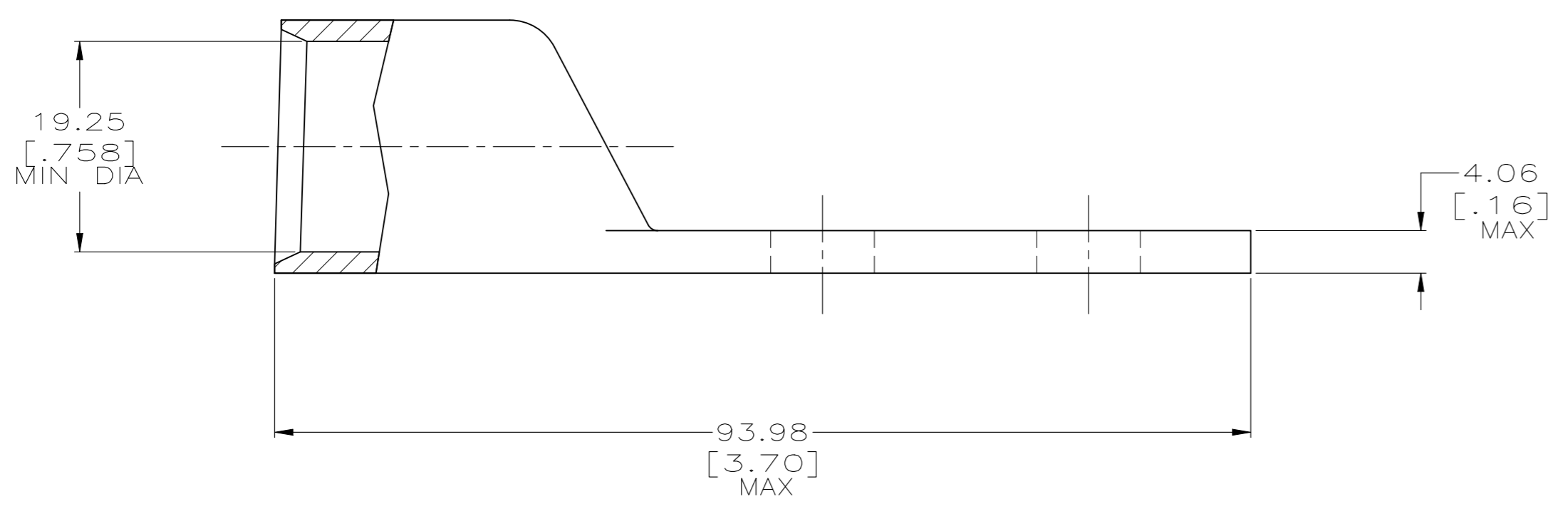


THIS DRAWING IS UNPUBLISHED. RELEASED FOR PUBLICATION .19
 © COPYRIGHT 19 BY AMP INCORPORATED. ALL INTERNATIONAL RIGHTS RESERVED.

LOC	DIST	P	F	ZONE	LTR	DESCRIPTION	DATE	APPD
G	86				U	REV PER OG3A-0561-01	09OCT02	JR



1 CIRCULAR MIL AREA RANGE: 275-325 MCM
 2 TIN PL 0.00381[.000150] MIN THK PER MIL-T-10727



326805

DO NOT SCALE PRINT. UNLESS SPECIFIED		DR 02/28/90 DK SCHRUM		NONE		326805-1	
DIMENSIONS IN mm [INCHES]		CHK 23JAN95 MS FEHER		REQUIRED		326805	
TOLERANCES ON :		APPD 23JAN95 WJ VOCKROTH		SIGHT HOLE		PART NO	
2 PLC DEC ± 0.51 [.020]		APPD 23JAN95 TL SHUTTER		AMP INCORPORATED Harrisburg, Pa. 17105			
3 PLC DEC ± -		PRODUCT SPEC 108-30200					
ANGLES ± -		APPLICATION SPEC -		NAME			
MATERIAL		WEIGHT .215 LB		TERMINAL, AMPPOWER, WIRE SIZE: 300 MCM			
ANNEALED COPPER ASTM B-188		SCALE 2:1		SIZE C		CAGE CODE 00779	
FINISH		SHEET 10F 1		DRAWING NO		326805	
2		CUSTOMER DRAWING					

