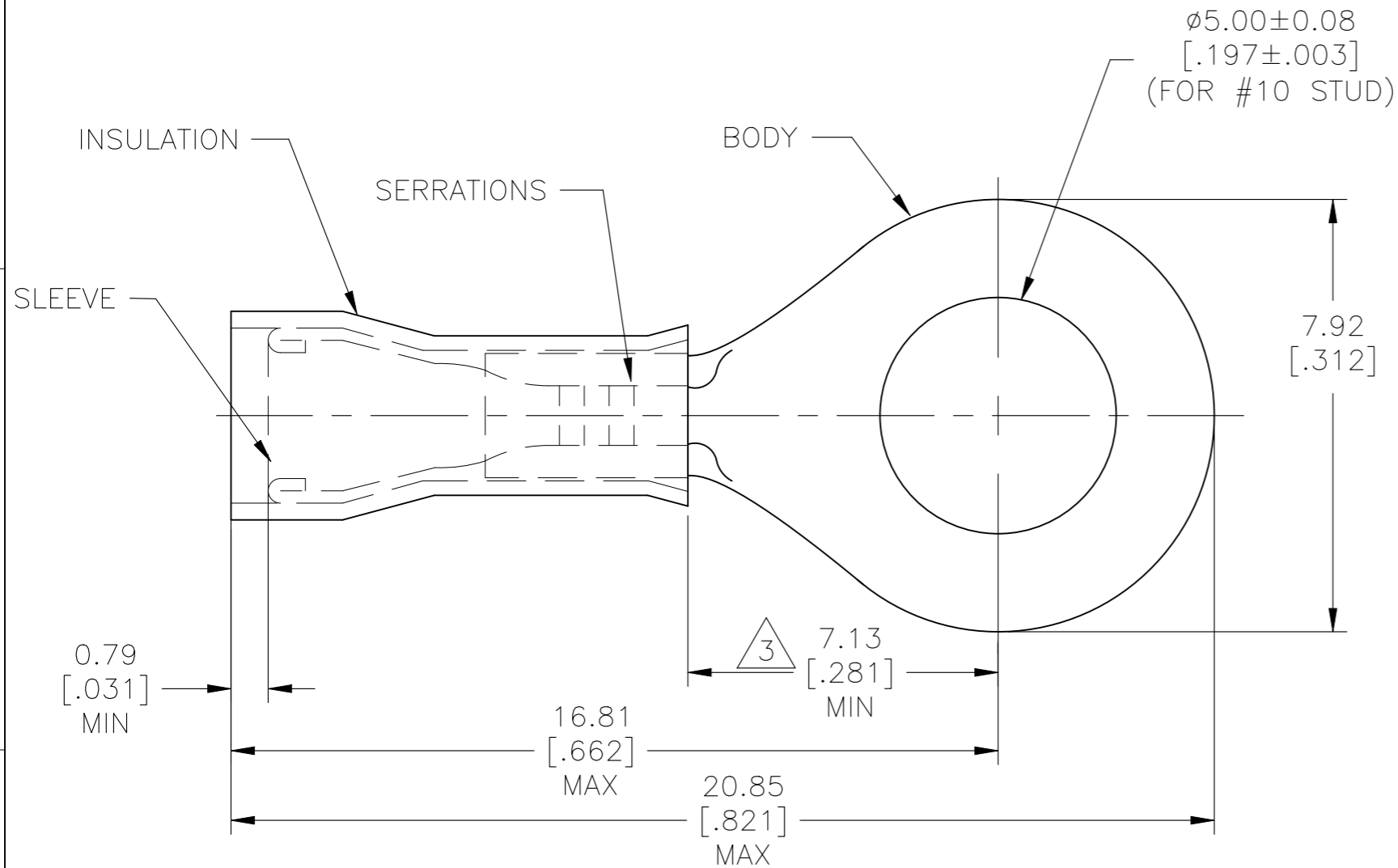


REVISIONS				
P	LTR	DESCRIPTION	DATE	APVD
	F5	REVISED PER ECR-25-255998	15SEP2025	SA DSC



- 1 FOR 1.02 [.040] TO 2.54 [.100] WIRE INSULATION DIA
- 2 TONGUE MATERIAL THK = 0.58 ± 0.05 [.023 ± .002]
- 3 APPLIES FROM THE METAL EDGE OF THE BARREL TO THE CENTER OF THE STUD
- 4 NOTE DELETED

1 KIT = 250 PIECES	LOOSE PC	BODY & SLEEVE: COPPER (ASTM-B152) TIN PL (ASTM-B545) INSULATION: NATURAL NYLON (ASTM-D4066) TYPE 1	6-323990-0
5000	323990 ON TAPE		2-323990-1
1000	LOOSE PC		323990
QTY	PACKAGE TYPE	MATERIAL & FINISH	PART NO

THIS DRAWING IS A CONTROLLED DOCUMENT.		DWN R.GRZYBOWSKI 9NOV2009	STE TE Connectivity	
DIMENSIONS: mm [INCHES]		CHK TOM MICHIELUTTI 9NOV2009		
TOLERANCES UNLESS OTHERWISE SPECIFIED:		APVD M.PERCHERKE 9NOV2009	NAME	
0 PLC ± -		PRODUCT SPEC	WIRE TERMINAL, PIDG - RING TONGUE, WIRE SIZE: 24-20 AWG	
1 PLC ± -		APPLICATION SPEC	SIZE	CAGE CODE
2 PLC ± -		WEIGHT	DRAWING NO	
3 PLC ± 0.20 [.008]		CUSTOMER DRAWING	RESTRICTED TO	
4 PLC ± -			A3 00779 C-323990	
ANGLES ± 0° 30'		SCALE	SHEET	REV
MATERIAL SEE TABLE	FINISH SEE TABLE	8:1	1 OF 1	F5