

P	LTR	DESCRIPTION	DATE	DWN	APVD
	A	GTP PER ECN-25-338513	17AUG2025	ED	WZ

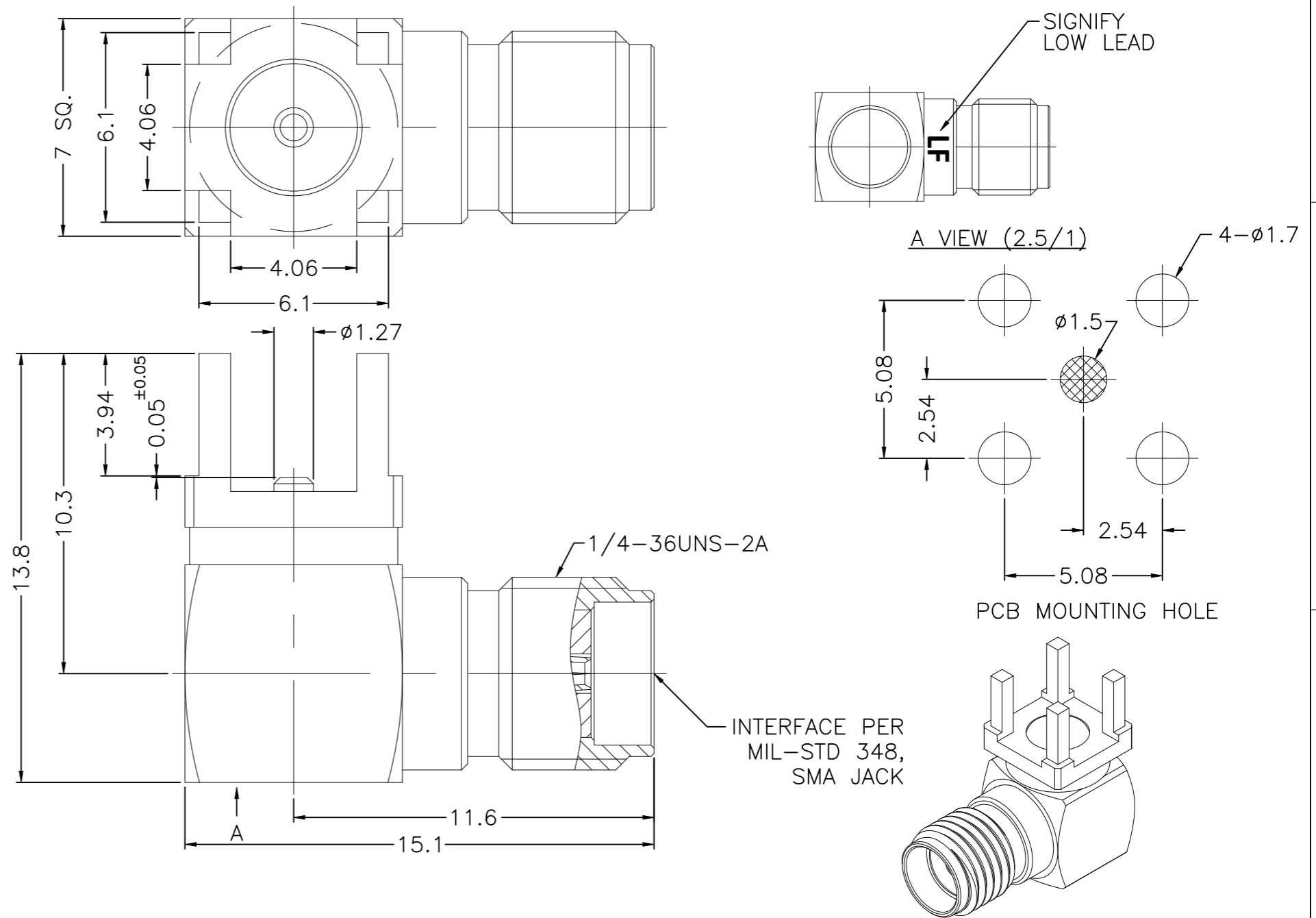
MATERIALS AND PLATING		UNIT: MICRO-INCHES
PART NAME	MATERIAL	PLATING
BODY/HOUSING	LOW LEAD BRASS	GOLD 3u"/NICKEL 50u"/COPPER 50u"
CONTACT PIN 1	LOW LEAD BeCu	GOLD 3u"/NICKEL 50u"/COPPER 50u"
INSULATOR	PTFE ASTM-D-1710	NATURAL
CONTACT PIN 2	LOW LEAD BRASS	GOLD 3u"/NICKEL 50u"/COPPER 50u"
COVER	LOW LEAD BRASS	GOLD 3u"/NICKEL 50u"/COPPER 50u"

ELECTRICAL CHARACTERISTICS	
IMPEDANCE	50 Ω
VOLTAGE RATING	335 V(rms)
FREQUENCY RANGE	DC~18 GHz
DIELECTRIC WITHSTANDING VOLTAGE	>1000 V
CONTACT RESISTANCE	CENTER CONTACT <3.0 mΩ
	OUTER CONTACT <2.0 mΩ
INSULATION RESISTANCE	>5000 MΩ
INSERTION LOSS	0.25dB MAX
VSWR	<1.30
3RD INTERMODULATION	N/A

MECHANICAL CHARACTERISTICS	
DURABILITY	> 500 cycles

ENVIRONMENTAL PARAMETER	
TEMPERATURE RANGE	-65 °C~+165 °C
WATERPROOF	/
THERMAL SHOCK	MIL- STD 202, Meth. 107,Cond. B
VIBRATION	MIL- STD 202, Meth. 204,Cond. D
SHOCK	MIL- STD 202, Meth. 213,Cond. I
CORROSION	MIL- STD 202, Meth. 101,Cond. B

NOTES:
 1 TRAY PACKAGING AND DETAIL PACKAGING SPEC IS IN PAGE 2;
 2 ALL DIMENSIONS ARE NOMINAL FOR REFERENCE ONLY UNLESS OTHERWISE STATED.



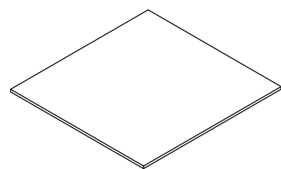
LOW LEAD VERSION,RoHS (Pb < 100ppm),REACH	2508905-1
MARK	PART NUMBER

THIS DRAWING IS A CONTROLLED DOCUMENT.		DWN ED 16JUN2025	STE TE Connectivity Ltd.													
		CHK TP 16JUN2025														
		APVD WH 16JUN2025	NAME SMA Jack RA SMD Pin Lead Free 18GHz													
DIMENSIONS: mm		TOLERANCES UNLESS OTHERWISE SPECIFIED:		PRODUCT SPEC -												
<table border="1"> <tr><td>0 PLC</td><td>± 0.3</td></tr> <tr><td>1 PLC</td><td>± 0.3</td></tr> <tr><td>2 PLC</td><td>± 0.2</td></tr> <tr><td>3 PLC</td><td>± 0.1</td></tr> <tr><td>4 PLC</td><td>± -</td></tr> <tr><td>ANGLES</td><td>± 5°</td></tr> </table>		0 PLC	± 0.3	1 PLC	± 0.3	2 PLC	± 0.2	3 PLC	± 0.1	4 PLC	± -	ANGLES	± 5°	APPLICATION SPEC -		SIZE A3
0 PLC	± 0.3															
1 PLC	± 0.3															
2 PLC	± 0.2															
3 PLC	± 0.1															
4 PLC	± -															
ANGLES	± 5°															
MATERIAL -		FINISH -		CAGE CODE 00779												
		WEIGHT -		DRAWING NO C-2508905												
		CUSTOMER DRAWING		RESTRICTED TO -												
		SCALE 1:1		SHEET 1 OF 2												
				REV A												

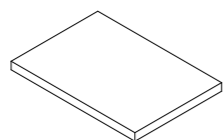
TRAY PACKAGING

UNLESS OTHERWISE SPECIFIED TOLERANCES

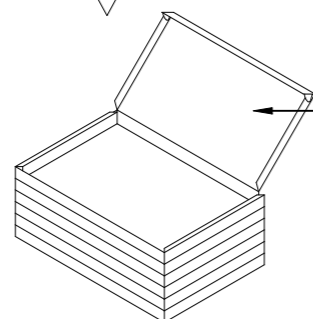
- 0.5-6 = ±0.2
- 6-30 = ±0.4
- 30-120 = ±0.6
- 120-315 = ±1
- 315-1000 = ±1.6
- 1000-2000 = ±2.4



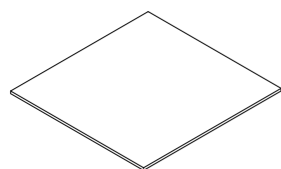
Place a cardboard on the top of the boxes.



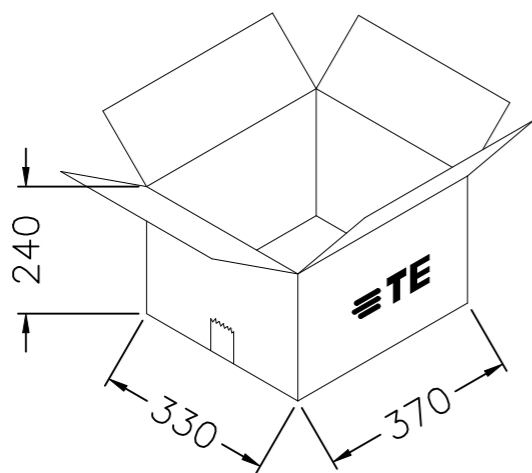
Pack 100 pcs per tray.



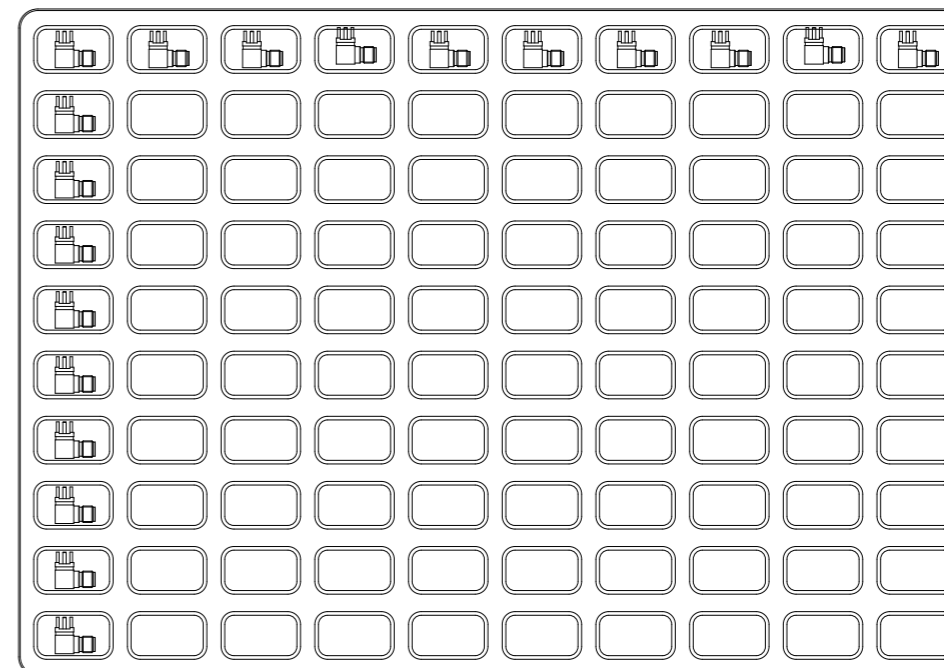
There is 1 tray per inner box, total of 6 inner boxes.



Place a cardboard on the bottom of the boxes.



REVISIONS					
P	LTR	DESCRIPTION	DATE	DWN	APVD
	-	SEE SHEET 1	-	-	-



- NOTE: 1. 100 pcs / Tray, 1 tray = 1 inner box
- 2. 6 inner box = 600 pcs

THIS DRAWING IS A CONTROLLED DOCUMENT.		DWN	ED	16JUN2025	TE Connectivity Ltd.	
		CHK	TP	16JUN2025		
		APVD	WH	16JUN2025		
DIMENSIONS: mm		TOLERANCES UNLESS OTHERWISE SPECIFIED:			NAME	
		0 PLC	± -	SMA Jack RA SMD Pin Lead Free 18GHz		
		1 PLC	± -	-		
		2 PLC	± -	-		
		3 PLC	± -	-		
		4 PLC	± -	-		
		ANGLES	± 5°	-		
MATERIAL		FINISH			SIZE	RESTRICTED TO
-		-			A3	-
		WEIGHT			CAGE CODE	DRAWING NO
		-			00779	C-2508905
CUSTOMER DRAWING				SCALE	SHEET	REV
				1:1	2 OF 2	A