

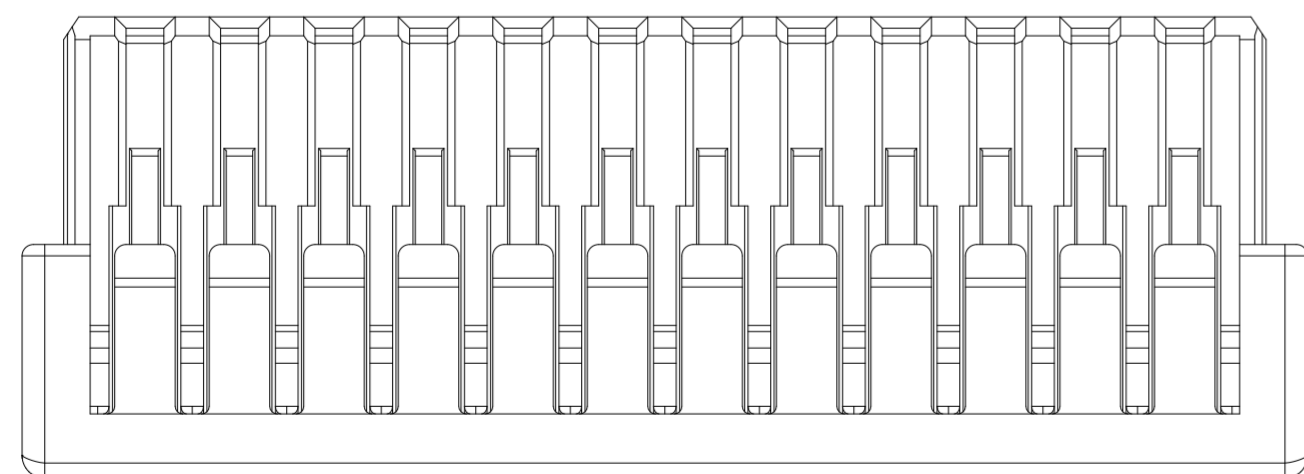
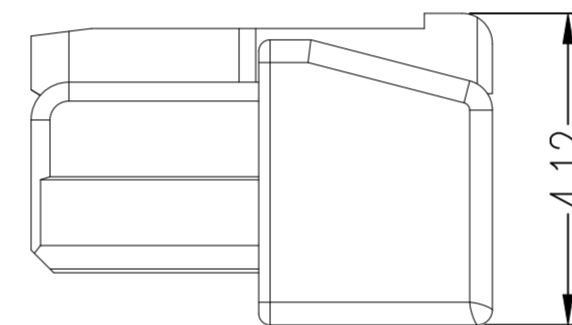
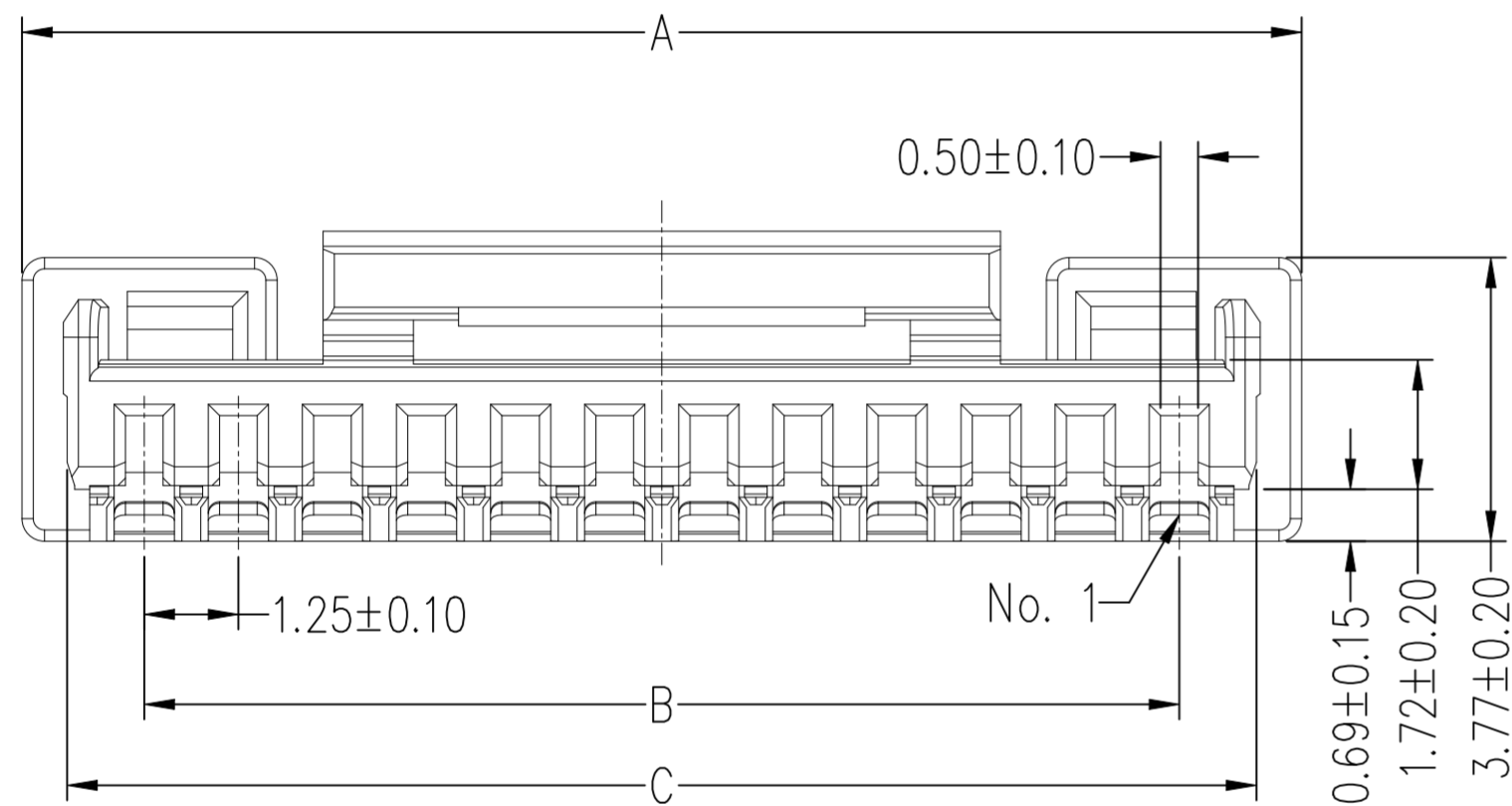
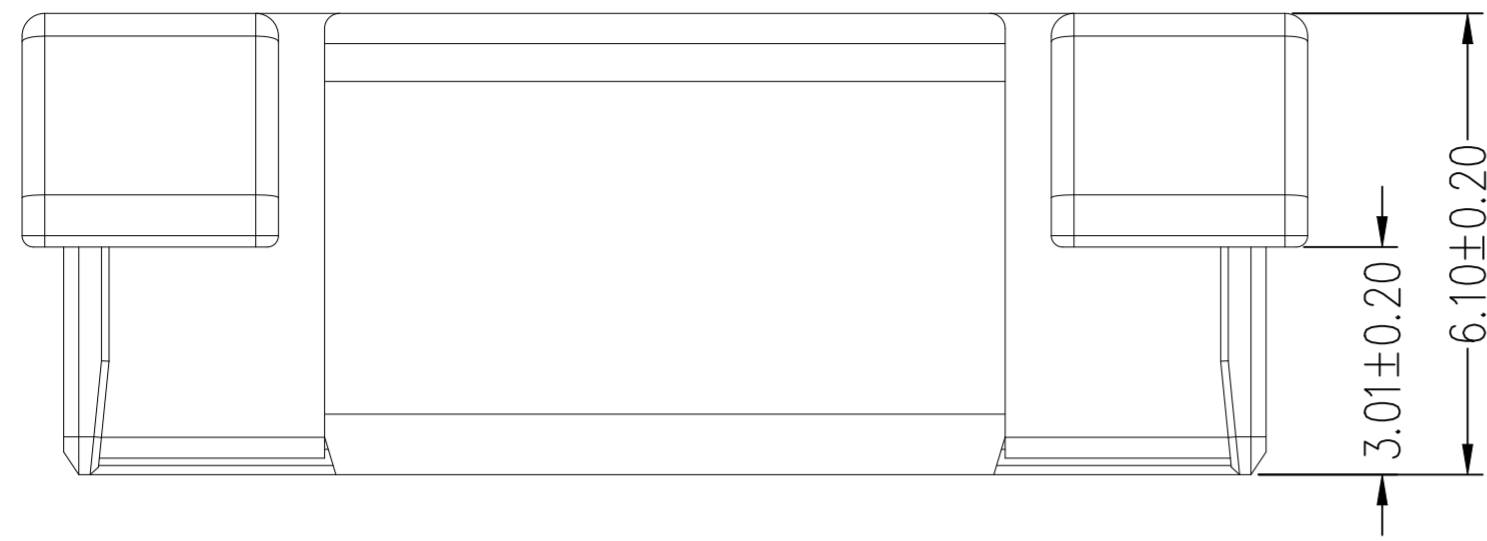
REVISIONS					
P	LTR	DESCRIPTION	DATE	DWN	APVD
A		Initial Release	10MAR2025	M.S	J.M

NOTES:

- 1, Current Rating: See Table
- 2, Contact Resistance: 20mΩ Max
- 3, Withstand Voltage: 500V AC
- 4, Insulation Resistance: 100MΩ Min
- 5, Operation Temperature: -40°C to +125°C
- 6, Material: PBT, UL94 V-0, Black

Rated Current at 23°C:

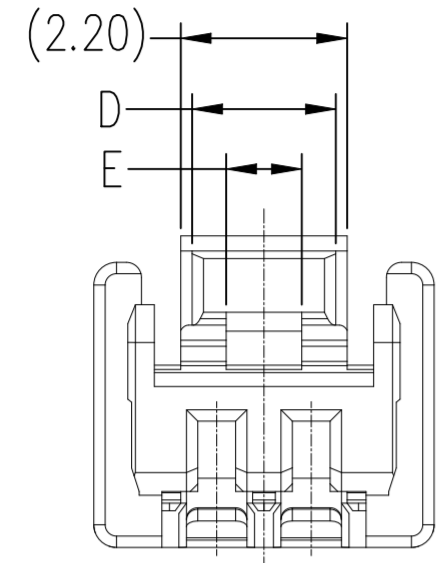
Size Wire \ Pins	2P	8P	16P
AWG#26	3.6A	2.4A	2.2A
AWG#28	3.1A	2.1A	1.8A
AWG#30	2.8A	1.8A	1.5A



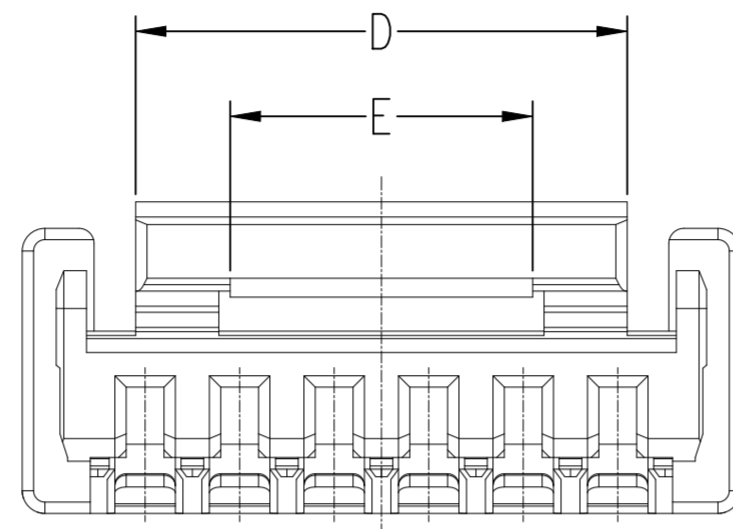
PRODUCT FAMILY TABLE						
POS	A	B	C	D	E	PN
2	4.50	1.25	3.50	1.90	1.00	2502606-2
3	5.75	2.50	4.75	2.75	1.35	2502606-3
4	7.00	3.75	6.00	4.00	1.50	2502606-4
5	8.25	5.00	7.25	5.25	2.75	2502606-5
6	9.50	6.25	8.50	6.50	4.00	2502606-6
7	10.75	7.50	9.55	6.50		2502606-7
8	12.00	8.75	10.80			2502606-8
9	13.25	10.00	12.05	9.00	5.40	2502606-9
10	14.50	11.25	13.30			1-2502606-0
11	15.75	12.50	14.55			1-2502606-1
12	17.00	13.75	15.80			1-2502606-2
13	18.25	15.00	17.05	10.50	6.90	1-2502606-3
14	19.50	16.25	18.30			1-2502606-4
15	20.75	17.50	19.55			1-2502606-5
16	22.00	18.75	20.80			1-2502606-6

THIS DRAWING IS A CONTROLLED DOCUMENT.		DWN MADHAN S 17FEB2025		
		CHK JAGRUTI M 17FEB2025		
DIMENSIONS: mm [INCHES]		APVD JAGRUTI M 17FEB2025	NAME -	
TOLERANCES UNLESS OTHERWISE SPECIFIED:		PRODUCT SPEC 108-161761	1.25MM HOUSING	
0 PLC ± -		APPLICATION SPEC -	SIZE A2	CAGE CODE 00779
1 PLC ± -		WEIGHT 0	DRAWING NO C=2502606	RESTRICTED TO -
2 PLC ± 0.25		MATERIAL See Note	SCALE 1:1	SHEET 1 of 3
3 PLC ± -		FINISH See Note	CUSTOMER DRAWING	REV A
4 PLC ± -				
ANGLES ± -				

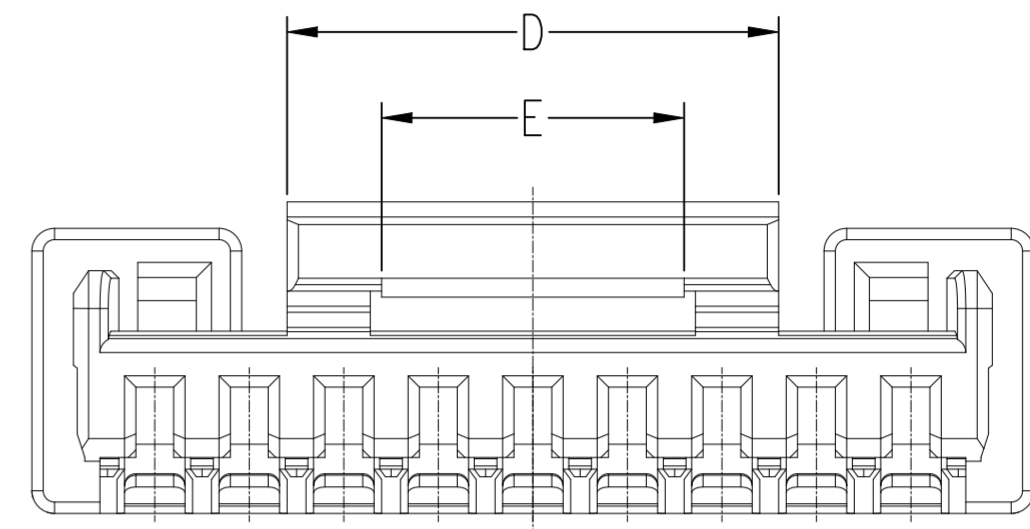
REVISIONS					
P	LTR	DESCRIPTION	DATE	DWN	APVD
-	-	SEE SHEET 1	-	-	-



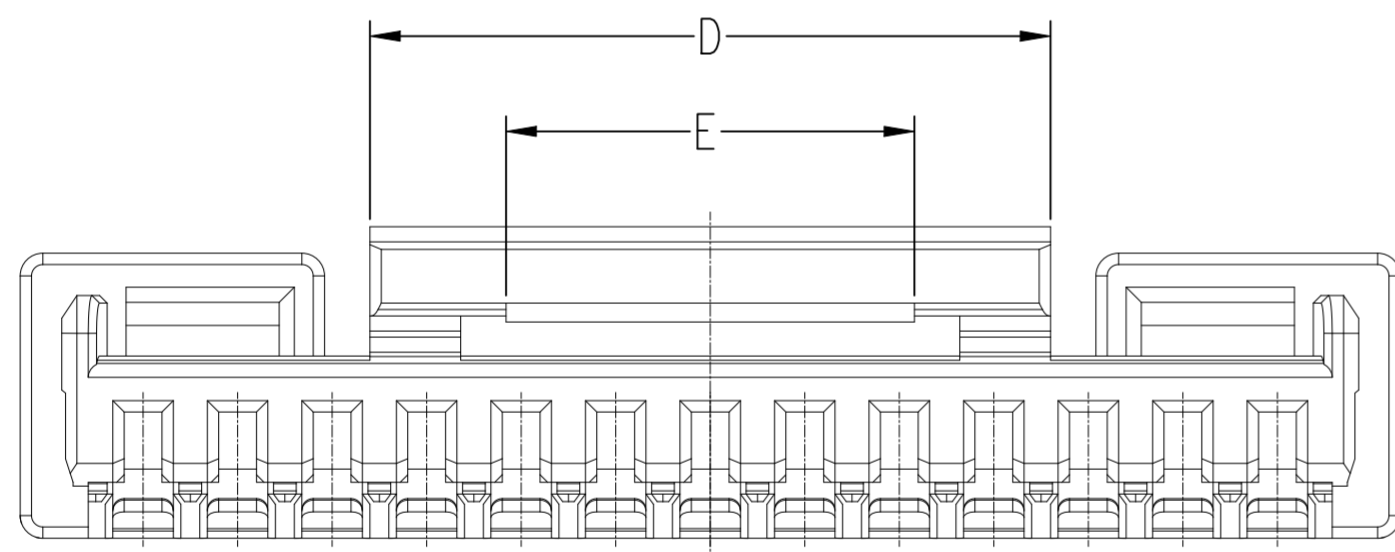
2 POS



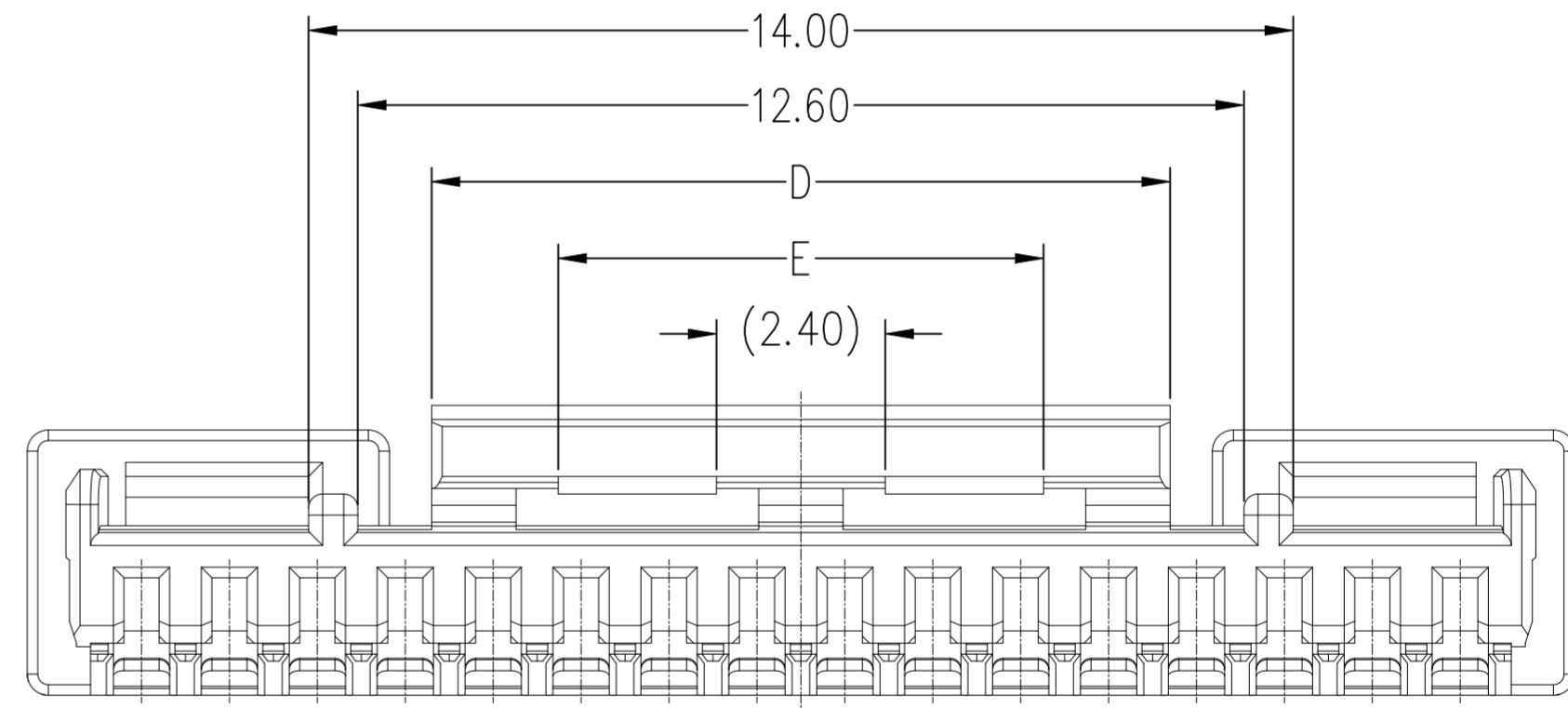
3~6 POS



7~9 POS



10~13 POS

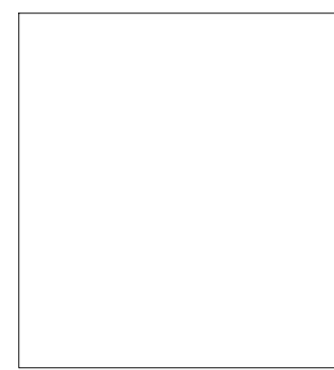


14~16 POS

2502606

THIS DRAWING IS A CONTROLLED DOCUMENT.		DWN MADHAN_S 17FEB2025																					
DIMENSIONS: mm [INCHES]		CHK JAGRUTI_M 17FEB2025																					
TOLERANCES UNLESS OTHERWISE SPECIFIED:		APVD JAGRUTI_M 17FEB2025	NAME -																				
<table border="0"> <tr><td>0 PLC</td><td>±</td><td>-</td></tr> <tr><td>1 PLC</td><td>±</td><td>-</td></tr> <tr><td>2 PLC</td><td>±</td><td>0.25</td></tr> <tr><td>3 PLC</td><td>±</td><td>-</td></tr> <tr><td>4 PLC</td><td>±</td><td>-</td></tr> <tr><td>ANGLES</td><td>±</td><td>-</td></tr> </table>		0 PLC	±	-	1 PLC	±	-	2 PLC	±	0.25	3 PLC	±	-	4 PLC	±	-	ANGLES	±	-	PRODUCT SPEC 108-161761	1.25MM HOUSING		
0 PLC	±	-																					
1 PLC	±	-																					
2 PLC	±	0.25																					
3 PLC	±	-																					
4 PLC	±	-																					
ANGLES	±	-																					
MATERIAL See Note		FINISH See Note	APPLICATION SPEC -	SIZE A2	CAGE CODE 00779																		
		WEIGHT -	DRAWING NO C=2502606	RESTRICTED TO -																			
CUSTOMER DRAWING			SCALE 1:1	SHEET 2 OF 3	REV A																		

REVISIONS					
P	LTR	DESCRIPTION	DATE	DWN	APVD
-	-	SEE SHEET 1	-	-	-

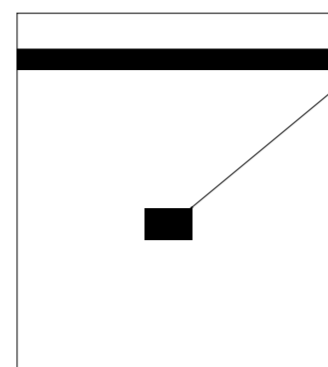


No.1

Put the products into PE bags, then seal the PE bag
PE-06(18*25cm,T=0.1mm)

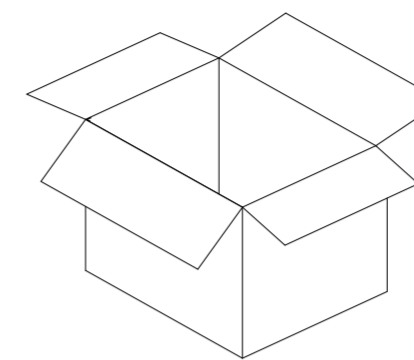
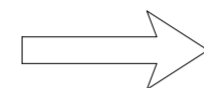


No.2



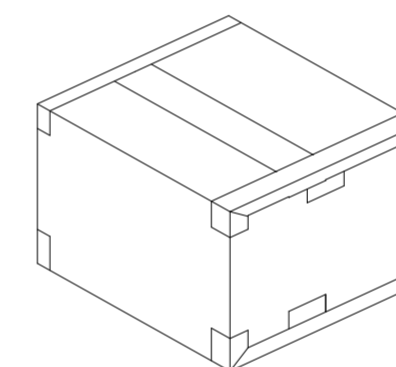
No.3

Stick the label in the middle of the PE bag



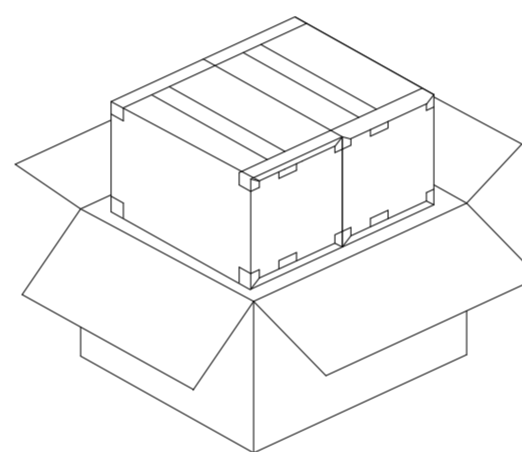
No.4

Put the PE bag into the inner box
Inside box size: CTN-23A(22*22*20cm)



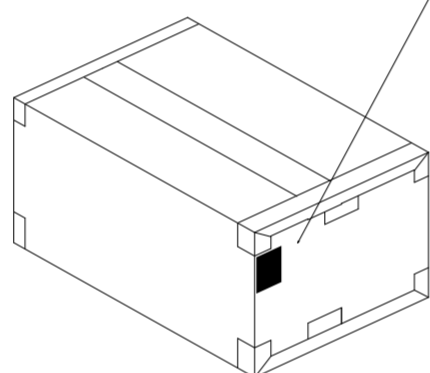
No.5

Sealing box



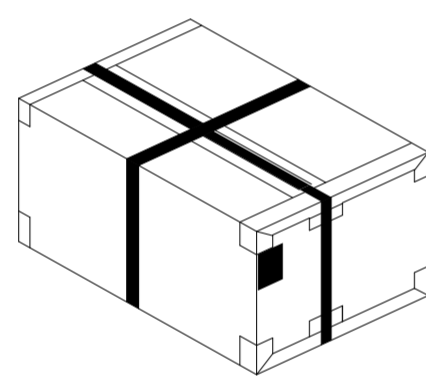
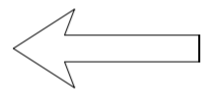
No.6

The inner box into the outer box,
(2 inner box/outer box);
Outer box size: CTN-06 (47.0*23.5*21.0cm)



No.7

Seal the box and stick the label
on the top left corner of the side
of the outer box



No.8

Packing belt

PIN	PCS/BAG	PCS/Inner box	PCS/Outer Box
2	1000	10000	20000
3	1000	9000	18000
4	1000	8000	16000
5	1000	7000	14000
6	1000	6000	12000
7	1000	5000	10000
8	500	4000	8000
9	500	4000	8000
10	500	3500	7000
11	500	3000	6000
12	500	2500	5000
13	200	1800	3600
14	200	1800	3600
15	200	1600	3200
16	200	1600	3200

Instructions:

1. Pay attention to the style of each label. Position and direction of consistency;
2. When playing the outer box packing tape need to pay attention to, play for the cross type.

THIS DRAWING IS A CONTROLLED DOCUMENT.		DWN MADHAN S 17FEB2025		
DIMENSIONS: mm [INCHES]		CHK JAGRUTI M 17FEB2025		
TOLERANCES UNLESS OTHERWISE SPECIFIED:		APVD JAGRUTI M 17FEB2025	NAME -	
0 PLC ± -		PRODUCT SPEC	-	
1 PLC ± -		108-161761	1.25MM HOUSING	
2 PLC ± 0.25		APPLICATION SPEC	-	
3 PLC ± -		WEIGHT	SIZE	CAGE CODE
4 PLC ± -		0	A2	00779
ANGLES ± -		CUSTOMER DRAWING	DRAWING NO	RESTRICTED TO
FINISH		SCALE	1:1	SHEET
See Note		3 of 3	REV	A