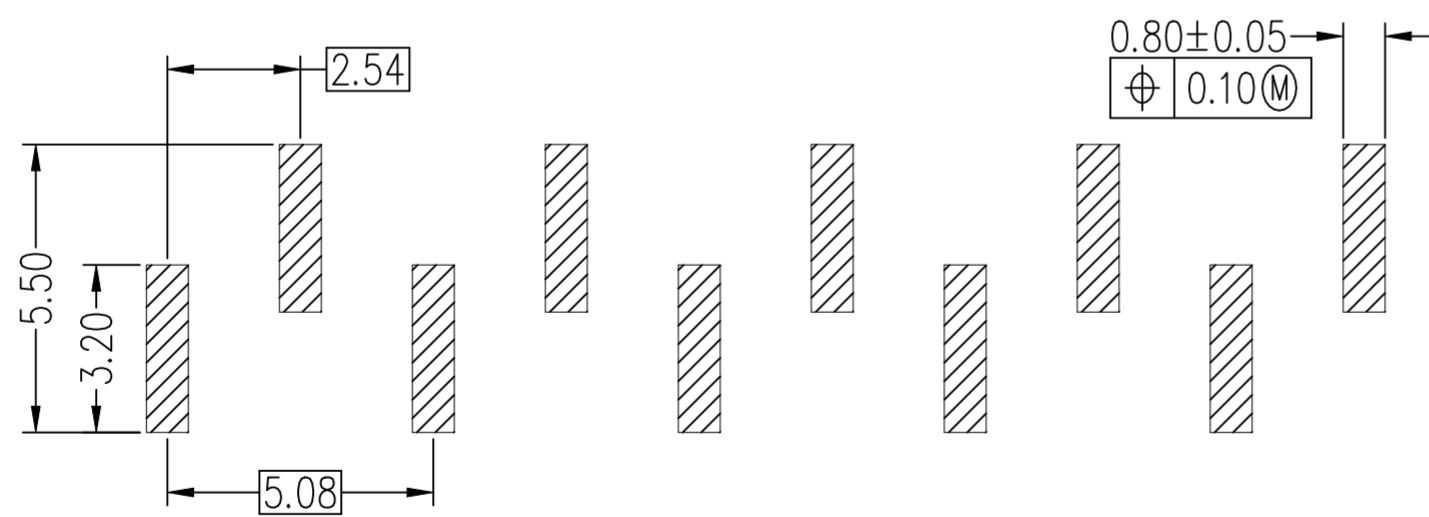
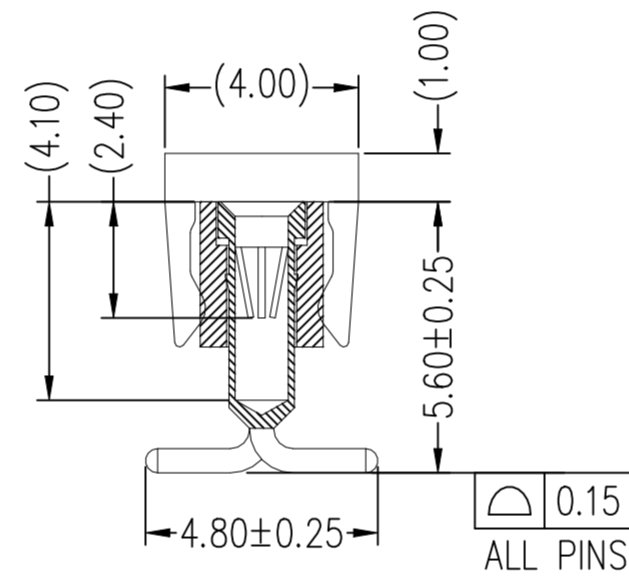
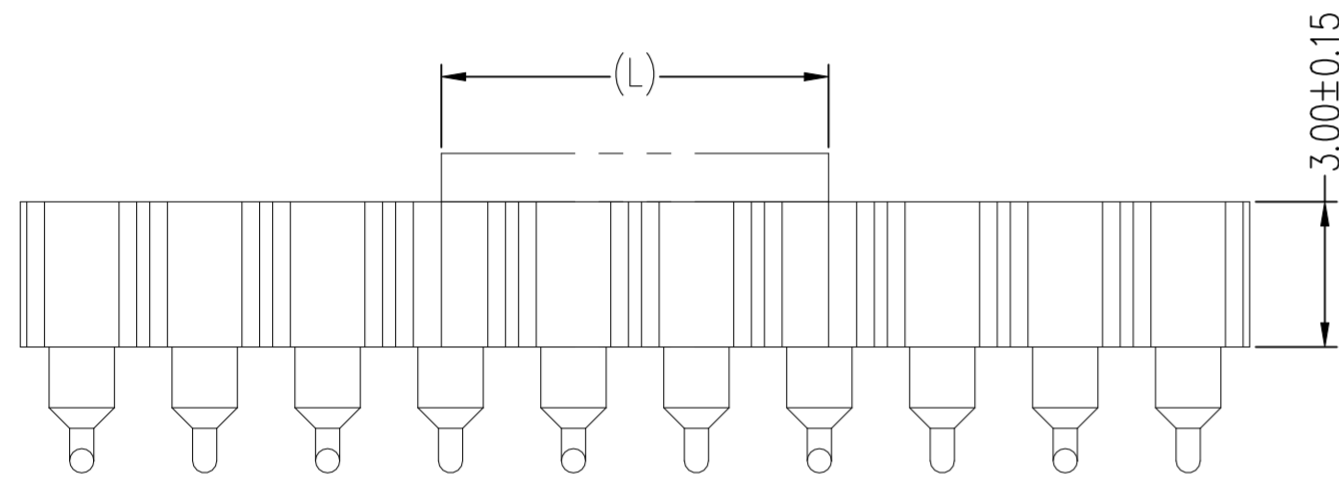
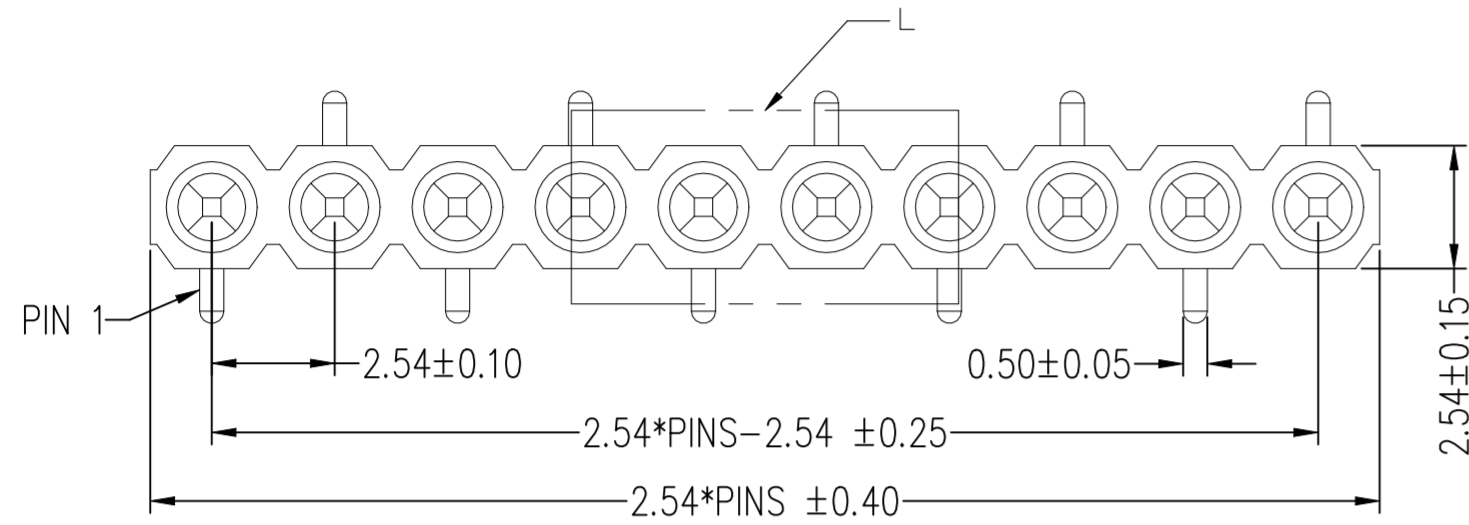


REVISIONS					
P	LTR	DESCRIPTION	DATE	DWN	APVD
A		INITIAL RELEASE	31JUL2024	BTV	KJ

Pins	Pick& Place cap Length (L)
2~3	5.00
4~50	8.00



RECOMMENDED P.C.B LAYOUT
(COMPONENT SIDE)(TOLERANCE: ±0.05)

NOTES:

- MATERIAL:
 - 1, INSULATOR : THERMOPLASTIC UL-94-V-0 BLACK
 - 2, SLEEVE & CONTACT : COPPER ALLOY
 - PLATING - SLEEVE : 2µm MIN Sn OVER 2µm MIN Ni
 - PLATING - CONTACT : 5µm min TIN OVER Ni
 - △ GOLD FLASH OVER Ni
 - △ 0.25µm GOLD OVER Ni
 - △ 0.38µm GOLD OVER Ni
 - △ 0.76µm GOLD OVER Ni
- PIN SPECIFICATION: CONTACT ACCEPTS:
ROUND PIN ø0.40MM TO 0.56MM
- ELECTRICAL: CONTACT RESISTANCE- 10 mΩ MAX.
CONTACT RATING- 3Amp
INSULATION RESISTANCE- 1000 MΩ.
DIELECTRIC VOLTAGE- 1000V AC
- ENVIRONMENTAL: OPERATION TEMPERATURE - -55 +125°C
SOLDERING PROCESS CAPABILITY - 260°C
- MECHANICAL LIFE: 500 CYCLES
INSERTION FORCE - 200GRAMS/PIN
WITHDRAWAL FORCE - 60GRAMS/PIN

Tube W/O cap	△	8	2485259-2
Tape&Reel W/T cap	△	4	2485259-1
Package	Contact Plating	Number Of Positions	Part No

THIS DRAWING IS A CONTROLLED DOCUMENT.		DWN BONEY THOMAS 08MAY2024	TE Connectivity	
DIMENSIONS: mm		CHK -	NAME KIM JIN	
TOLERANCES UNLESS OTHERWISE SPECIFIED		APVD KIM JIN 08MAY2024	PRODUCT SPEC 108-160875	
0 PLC ±		APPLICATION SPEC	SIP SOCKET SINGLE ROW-SMD	
1 PLC ±		SIZE	CAGE CODE	DRAWING NO
2 PLC ±		WEIGHT	A2	00779
3 PLC ±		CUSTOMER DRAWING	SCALE	1:1
4 PLC ±		FINISH	SHEET	1 OF 1
ANGLES ±		REV	A	
MATERIAL		C=2485259		