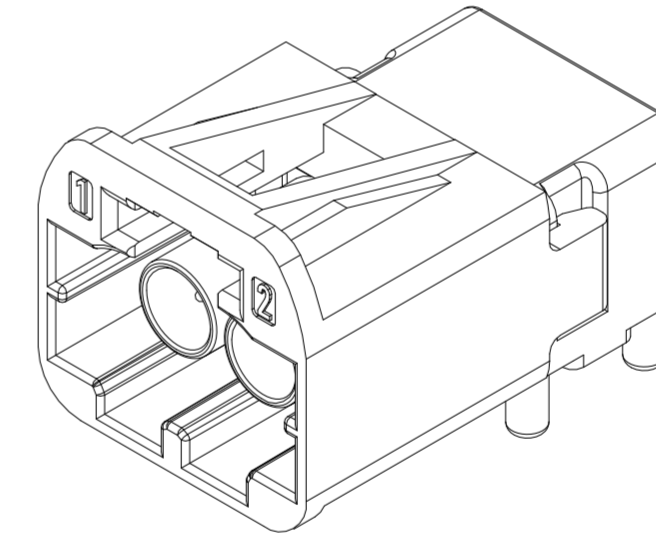
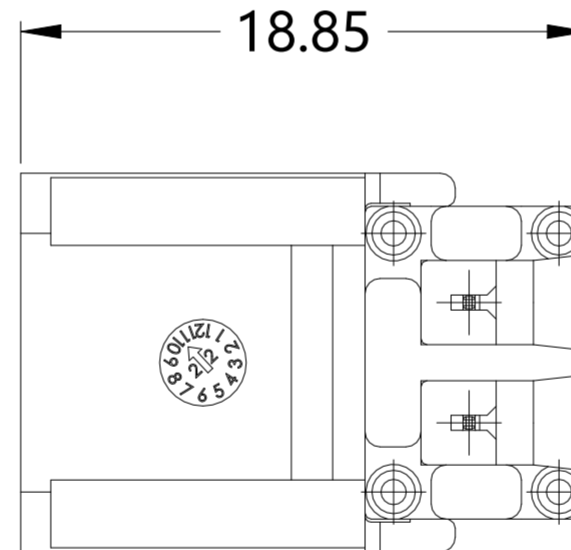
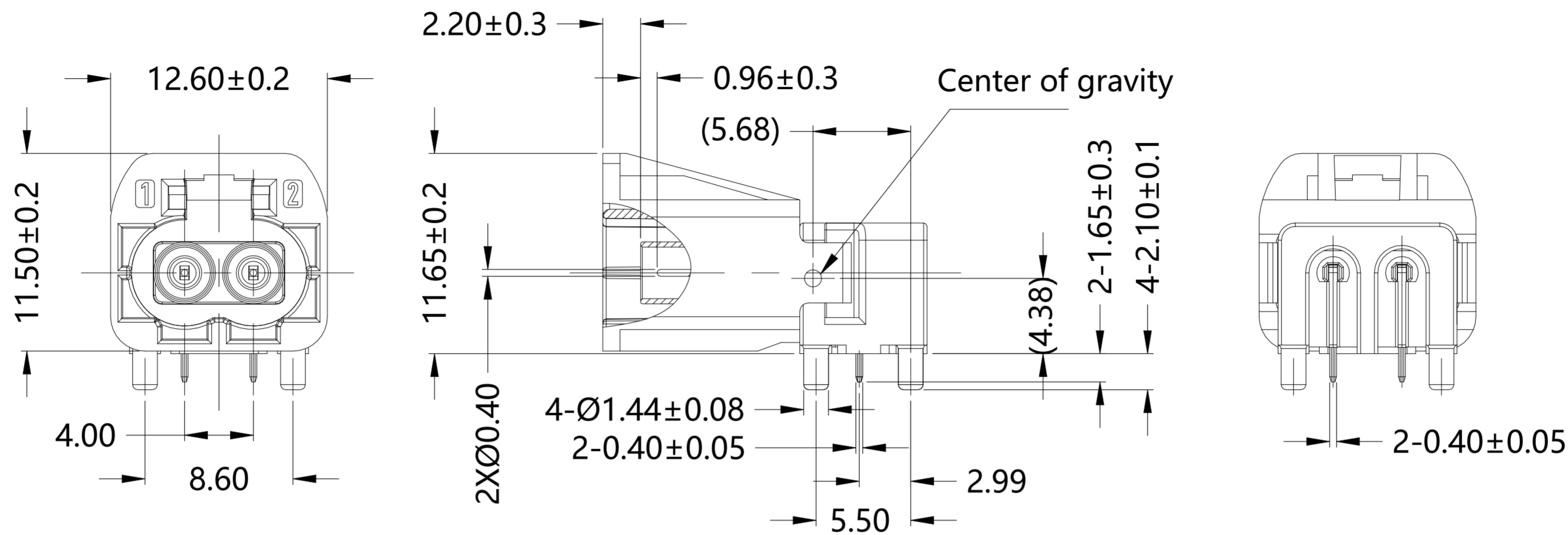


REVISIONS					
P	LTR	DESCRIPTION	DATE	DWN	APVD
A		GTP PER ECN-24-293485	13NOV2024	ED	WH



NOTES:

- PACK IN ACCORDANCE WITH TE SPEC 107-3275;
- ALL DIMENSIONS ARE NOMINAL FOR REFERENCE ONLY UNLESS OTHERWISE STATED;
- ELECTRICAL CHARACTERISTICS :
 FREQUENCY RANGE : DC-9GHz
 NOMINAL IMPEDANCE : 50 OHMS
 INSULATION RESISTANCE : 1000 MOHMS
 WORKING VOLTAGE : 250 VRMS MAX
 DIELECTRIC WITHSTANDING VOLTAGE : 750 VOLTS MAX
 VSWR : 1.25 MAX(DC-3GHz)
 1.35 MAX(3-6GHz)
 1.65 MAX(6-9GHz)
 INSERTION LOSS: 0.1*SQRT(F) dB MAX
 CONTACT RESISTANCE :
 CENTER CONTACT : 5 mOHMS MAX
 OUTER CONTACT : 5 mOHMS MAX;
- MECHANICAL CHARACTERISTICS :
 DURABILITY : 50 CYCLES
 MATING FORCE : 45N MAX;
 DISENGAGEMENT FORCE : 5N MIN;
 CONNECTOR DISENGAGEMENT FORCE WITH LOCK : 110N MIN;
- TEMPERATURE RANGE: -40°-+105°;
- RoHS: COMPLIANT;
- ALL DETAIL TEPNs AND PCB LAYOUT ARE IN PAGE 2.

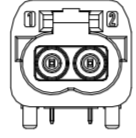
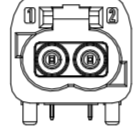
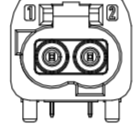
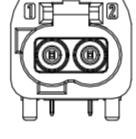
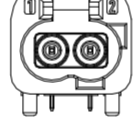
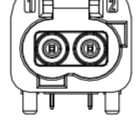
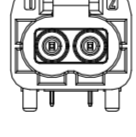
QTY	DESCRIPTION	MATERIAL	DESCRIPTION	ITEM
1	/	PA10T 30GF%	SHELL	4
1	GOLD 5u"/NICKEL/COPPER	BRASS	CONTACT PIN	3
1	NATURAL	LCP 30%GF	INSULATOR	2
1	TIN 100u" MIN	ZINC ALLOY	BODY	1
2477757-X	PLATING	MATERIAL	DESCRIPTION	ITEM

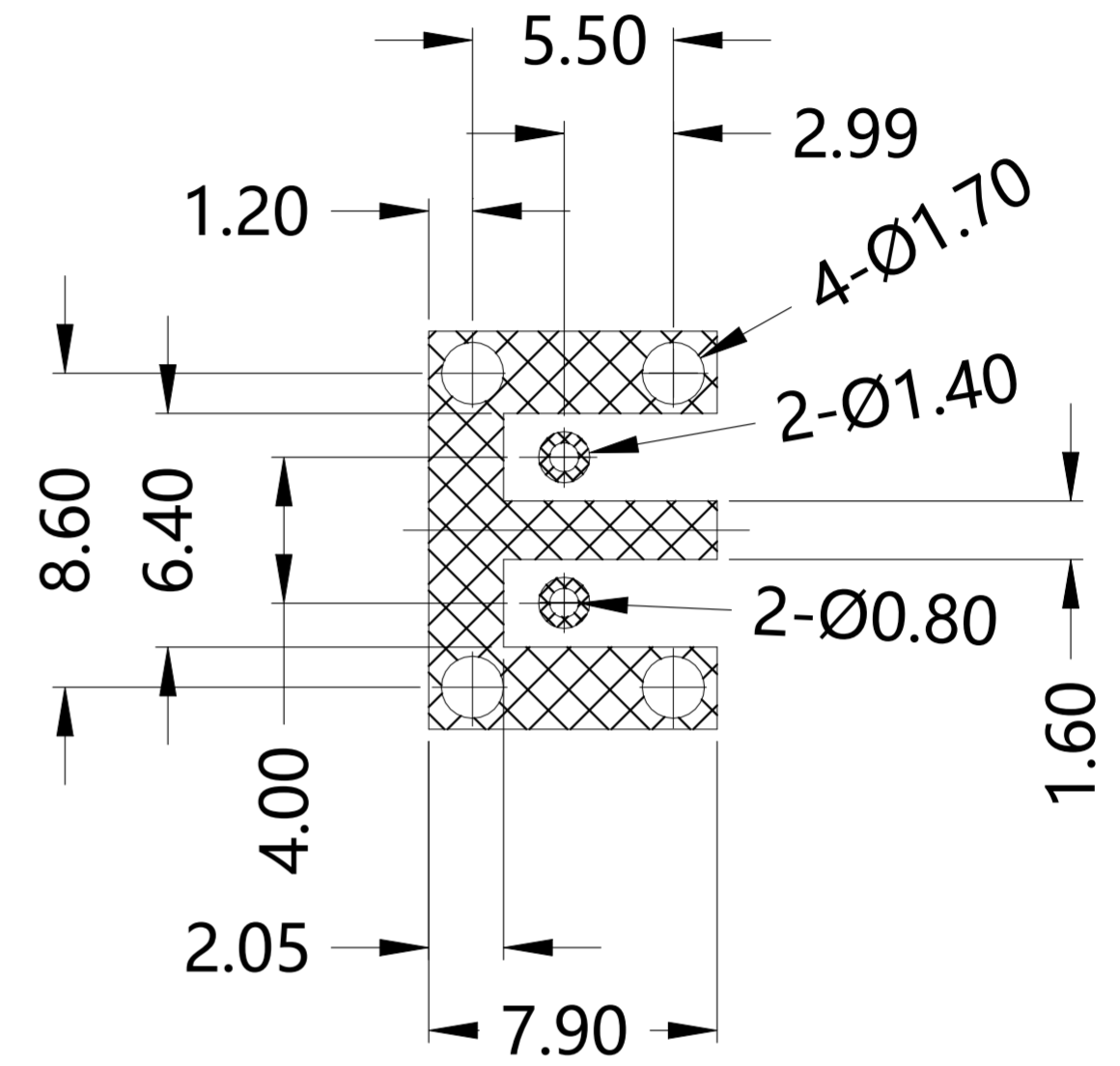
QUANTITY PER ASSY

PARTS LIST


THIS DRAWING IS A CONTROLLED DOCUMENT.		DWN ED 21NOV2023	TE Connectivity Ltd.		
DIMENSIONS: mm		CHK ED 21NOV2023			
TOLERANCES UNLESS OTHERWISE SPECIFIED:		APVD WH 21NOV2023	NAME		
0 PLC ± -		PRODUCT SPEC	MINI FAKRA PLUG RA FOR PCB WITH HOUSING, 2 PORTS, DC-9GHz		
1 PLC ± 0.3		APPLICATION SPEC	-		
2 PLC ± 0.2		WEIGHT	SIZE A2	CAGE CODE 00779	DRAWING NO C=2477757
3 PLC ± 0.1		FINISH	RESTRICTED TO		
4 PLC ± -			CUSTOMER DRAWING		
ANGLES ± 5'			SCALE 8:1	SHEET 1 OF 2	REV A

REVISIONS					
P	LTR	DESCRIPTION	DATE	DWN	APVD
-	-	SEE SHEET 1	-	-	-

Mechanical and Color Coding			
SLK P/N	Color	Coding	
2477757-1	Black	A	
2477757-2	White	B	
2477757-3	Blue	C	
2477757-4	Bordeaux Violet	D	
2477757-5	Green	E	
2477757-6	Brown	F	
2477757-7	Water Blue	Z	



RECOMMENDED PCB LAYOUT TOP VIEW (TOLRANCE: ±0.05)

THIS DRAWING IS A CONTROLLED DOCUMENT.		DWN ED 21NOV2023	 TE Connectivity Ltd.	
DIMENSIONS: mm		CHK ED 21NOV2023		
TOLERANCES UNLESS OTHERWISE SPECIFIED:		APVD WH 21NOV2023	NAME	
0 PLC ± -		PRODUCT SPEC	MINI FAKRA PLUG RA FOR PCB WITH HOUSING, 2 PORTS, DC-9GHz	
1 PLC ± 0.3		APPLICATION SPEC	SIZE A2	CAGE CODE 00779
2 PLC ± 0.2		WEIGHT 0	DRAWING NO C=2477757	RESTRICTED TO -
3 PLC ± 0.1		CUSTOMER DRAWING	SCALE 8:1	SHEET 2 OF 2
4 PLC ± -			REV A	
ANGLES ± 5°				
FINISH -				
MATERIAL SEE TABLE				